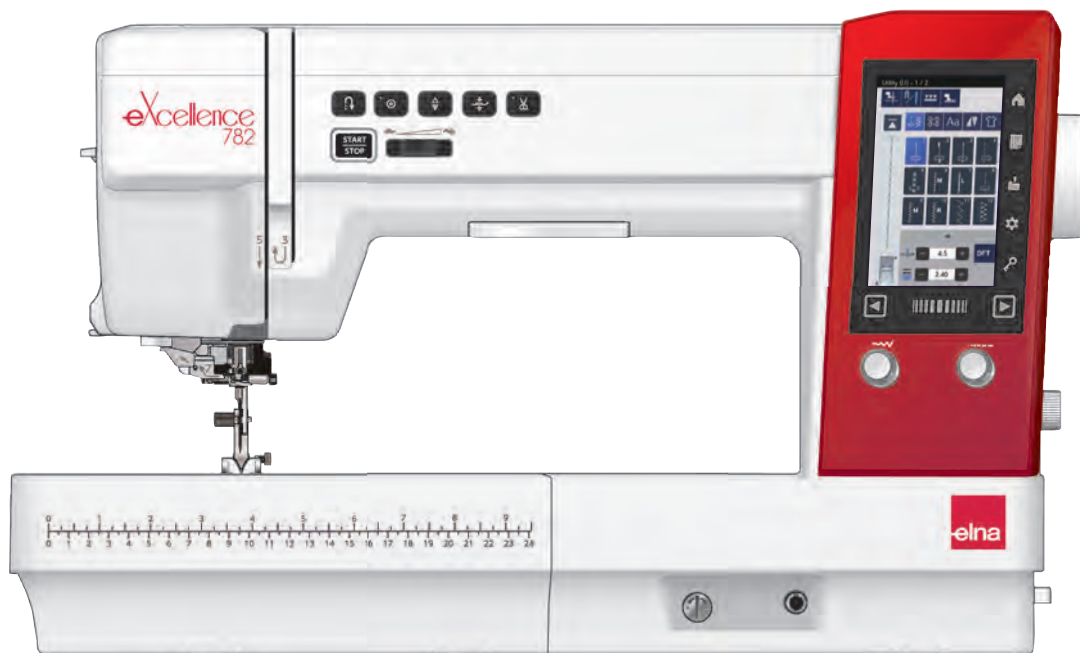


eXcellence 782

| Instruction Book |



IMPORTANT SAFETY INSTRUCTIONS

When using an electrical appliance, basic safety precautions should always be followed, including the following:

This sewing machine is designed and manufactured for household use only.

Read all instructions before using this sewing machine.

DANGER— To reduce the risk of electric shock:

1. An appliance should never be left unattended when plugged in. Always unplug this sewing machine from the electric outlet immediately after using and before cleaning.

WARNING— To reduce the risk of burns, fire, electric shock, or injury to persons:

1. Do not allow to be used as a toy. Close attention is necessary when this sewing machine is used by or near children.
2. Use this appliance only for its intended use as described in this owner's manual. Use only attachments recommended by the manufacturer as contained in this owner's manual.
3. Never operate this sewing machine if it has a damaged cord or plug, if it is not working properly, if it has been dropped or damaged, or dropped into water. Return this sewing machine to the nearest authorized dealer or service center for examination, repair, electrical or mechanical adjustment.
4. Never operate the appliance with any air opening blocked. Keep ventilation openings of this sewing machine and foot controller free from accumulation of lint, dust and loose cloth.
5. Never drop or insert any object into any opening.
6. Do not use outdoors.
7. Do not operate where aerosol (spray) products are being used or where oxygen is being administered.
8. To disconnect, turn all controls to the off ("O") position, then remove plug from outlet.
9. Do not unplug by pulling on cord. To unplug, grasp the plug, not the cord.
10. Keep fingers away from all moving parts. Special care is required around the sewing machine needle and/or cutting blade.
11. Always use the proper needle plate. The wrong plate can cause the needle to break.
12. Do not use bent needles.
13. Do not pull or push fabric while stitching. It may deflect the needle causing it to break.
14. Switch this sewing machine off ("O") when making any adjustment in the needle area, such as threading the needle, changing the needle, threading the bobbin or changing the presser foot, and the like.
15. Always unplug this sewing machine from the electrical outlet when removing covers, lubricating, or when making any other adjustments mentioned in this owner's manual.

SAVE THESE INSTRUCTIONS

For Europe only:

This appliance can be used by children aged from 8 years and above and persons with reduced physical, sensory or mental capabilities or lack of experience and knowledge if they have been given supervision or instruction concerning use of the appliance in a safe way and understand the hazards involved. Children shall not play with the appliance. Cleaning and user maintenance shall not be made by children without supervision.

For outside Europe (except U.S.A.):

This appliance is not intended for use by persons (including children) with reduced physical, sensory or mental capabilities, or lack of experience and knowledge, unless they have been given supervision or instruction concerning use of the appliance by a person responsible for their safety. Children should be supervised to ensure that they do not play with the appliance.



Please note that on disposal, this product must be safely recycled in accordance with relevant National legislation relating to electrical/electronic products. If in doubt please contact your retailer for guidance. (EEA (European Economic Area) and UK)

TABLE OF CONTENTS

ESSENTIAL PARTS

Names of Parts.....	4
Standard Accessories.....	5
Extension Table.....	8
Free-arm Sewing.....	8
Accessory Storage.....	8
Extra Wide Table.....	9
Foot Control and Thread Cutter Switch.....	10
Adjusting the Thread Cutter Switch Position.....	10

GETTING READY TO SEW

Connecting the Power Supply.....	12
Using Start/Stop Button.....	12
Using Foot Control.....	13
Thread Cutter Switch.....	14
Controlling Sewing Speed.....	15
Speed Control Slider.....	15
Foot Control.....	15
Machine Operating Buttons.....	16
Touch Panel Keys and Jog Dials.....	17
Raising and Lowering the Presser Foot.....	18
Stitch Reference Chart.....	19
Winding the Bobbin.....	20
Inserting the Bobbin.....	22
Threading the Machine.....	23
Guide Sticker for Threading.....	24
Built-in Needle Threader.....	25
Drawing Up the Bobbin Thread.....	26
Replacing Needles.....	27
Fabric and Needle Chart.....	27
Replacing the Presser Foot.....	28
Removing and Attaching the Foot Holder.....	29
Attaching Ruler Work Foot QR.....	30
Attaching Darning Foot PD-H.....	30
Attaching Professional Grade Foot HP.....	30
Attaching Dual Feed Foot AD or Dual Feed Plus Professional Foot HP2.....	31
Retractable Sewing Light.....	31
Replacing the Needle Plate.....	32
Using the Straight Stitch Needle Plate.....	33
Dropping the Feed Dogs.....	33
Knee Lifter.....	34
Using the Cloth Guide.....	34

ORDINARY SEWING MODE

Ordinary Stitch Patterns.....	35
Function Keys.....	39
Utility Stitches.....	41
Straight Stitches.....	41
Sewing from the Edge of Thick Fabric.....	41
Changing Sewing Direction.....	41
Turning a Square Corner.....	41
Securing Seams.....	42
Cutting Threads.....	42
Needle Plate Guides.....	42
Sewing with the Dual Feed Device.....	43
Dual Feed Plus Professional Foot HP2.....	44
Sewing with Professional Grade Foot HP.....	45
Floating Mode.....	46
Variety of Straight Stitches.....	47
Variety of Zigzag Stitches.....	48
Variety of Overcasting Stitches.....	49

Manual Stitch Settings.....	50
Adjusting Thread Tension.....	51
Adjusting Foot Pressure Control.....	52
Number of Locking Stitches.....	52
Foot Up for Pivoting.....	52
Favorite Stitch Adjustment.....	53
Other Utility Stitches.....	54

BUTTONHOLES AND SPECIALTY STITCHES

Variety of Buttonholes.....	56
B1 Sensor (Square) Buttonhole.....	57
Double Layer Buttonhole.....	59
Manual Settings.....	60
Using the Stabilizer Plate.....	61
B2 Automatic (Square) Buttonhole.....	62
Other Buttonholes.....	64
B11 Welted Buttonhole (Bound Buttonhole).....	65
Corded Buttonhole.....	67
Specialty Stitches.....	67
B12 Button Sewing.....	67
B13 Darning.....	68
B14 Tacking.....	69
B15 Fly Stitch.....	69
B16-B18 Eyelets.....	69

DECORATIVE STITCHES

Decorative Stitches.....	70
Quilting.....	78
Using the Quilting Guide Bar.....	78
Q1-Q3 Patchwork Piecing.....	78
Angle Scales on the Needle Plate.....	78
Circular Sewing.....	79
Q76-Q79 Hand-look Quilt Stitches.....	79
Satin Stitches.....	79
Elongation Ratio.....	79
Mirage Stitches.....	80
Created Stitches.....	81
Twin Needle Sewing.....	82

PROGRAMMING A PATTERN COMBINATION

Mirror Image of Patterns.....	84
Bridge Stitches.....	85
Editing a Pattern Combination.....	86
Deleting a Pattern.....	86
Inserting a Pattern.....	86
Startover Key.....	87
Checking Pattern Combination Length.....	88
Tapering.....	90
Tapered Stitch Sample 1.....	90
Auto-lock Stitch Function.....	91
Flipping a Tapered Pattern 1.....	91
Adjustment of Tapered Stitches.....	92
Flipping a Tapered Pattern 2.....	94
Tapered Stitch Sample 2.....	95

TABLE OF CONTENTS

MONOGRAMMING

Function Keys.....	97
Manual Thread Tension.....	98
Individual Thread Tension Adjustment.....	98
Unified Thread Tension Adjustment.....	98
Spacing.....	98
Reducing the Size of Letters.....	98
Programming a Monogram.....	99
Saving a Pattern Combination.....	100
Creating a New Folder.....	101
Changing a Folder Name or File Name.....	101
Deleting a File or Folder.....	101
Opening a Pattern Combination.....	102

SEWING APPLICATION

Variety of Sewing Applications.....	103
Sewing.....	105
Seaming Woven.....	105
Seaming Stretch/Knit.....	106
Curve.....	106
Topstitching.....	106
Rolled Hem.....	107
Overedge Woven.....	108
Overedge Stretch/Knit.....	108
Overedge Heavy.....	109
Blind Hem.....	110
Shell Tuck.....	112
Lapped Zipper.....	113
Pouch Zipper.....	116
Gathering.....	118
Easestitching.....	118
Basting.....	119
Buttonhole.....	119
Button.....	120
Tacking.....	121
Eyelet.....	122
Smocking.....	123
Fagoting.....	124
Quilt Application.....	125
Patchwork Piecing.....	125
Free Motion.....	126
Accurate Stitch Regulator Function/A.S.R. Foot Holder.....	127
Changing the Foot Attachment.....	129
Ruler Work.....	130
Variable ZZ.....	131
Applique.....	132
Straight Stitch (with Dual Feed).....	133
Decorative Quilt Stitch.....	134
Clasp Stitch.....	134
Sashiko.....	135
Hand-Look QU.....	135
Invisible Zipper (Optional).....	136

CUSTOMIZING MACHINE SETTINGS

Machine Setting Mode.....	139
Sewing Setting Mode.....	142
Language Setting Mode.....	146
Correcting Distorted Stitch Patterns.....	146

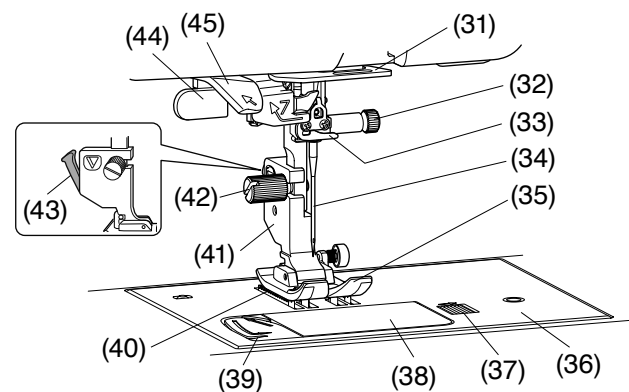
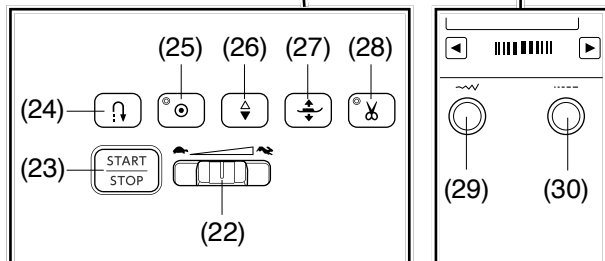
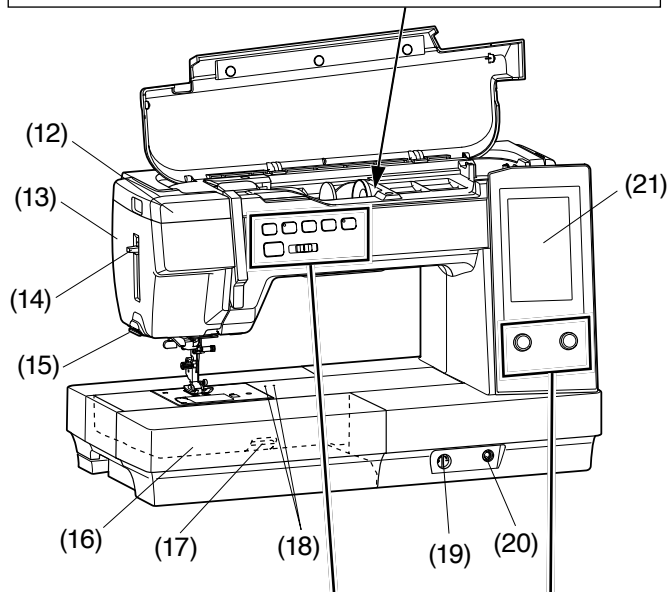
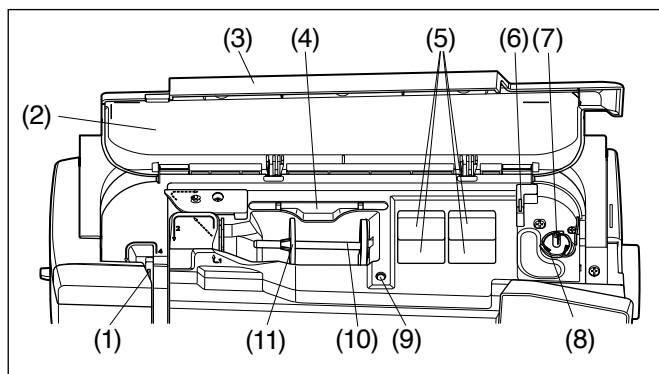
CARE AND MAINTENANCE

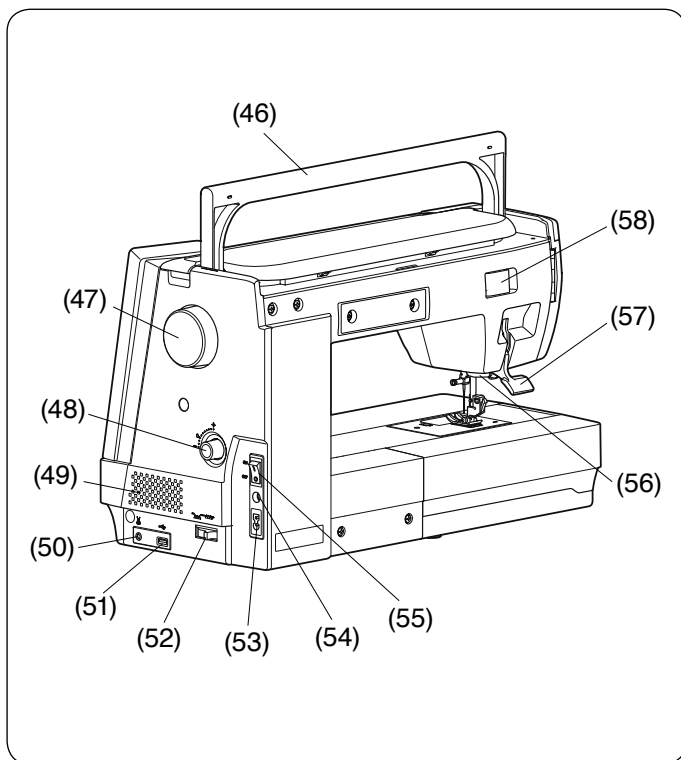
Cleaning the Hook Area.....	147
Cleaning the Inside of the Thread Guide.....	148
Problems and Warning Signals.....	149
Troubleshooting.....	150
Formatting USB Flash Drives.....	152
Stitch Chart.....	154
Stitch Chart (Monogram).....	156

ESSENTIAL PARTS

Names of Parts

- (1) Thread take-up lever
- (2) Reference chart
- (3) Top cover
- (4) Touch panel stylus holder
- (5) Foot compartment
- (6) Bobbin thread cutter B
- (7) Bobbin winder spindle
- (8) Bobbin thread cutter A
- (9) Hole for extra spool pin
- (10) Spool pin
- (11) Spool holder (large)
- (12) Retractable sewing light
- (13) Face plate
- (14) Needle threader lever
- (15) Thread cutter/holder
- (16) Extension table (accessory storage)
- (17) Needle plate release lever
- (18) Holes for circular pivot pin
- (19) Feed balancing dial
- (20) Knee lifter socket
- (21) Visual touch screen
- (22) Speed control slider
- (23) Start/stop button
- (24) Reverse button
- (25) Auto-lock button
- (26) Needle up/down button
- (27) Presser foot lifter button
- (28) Thread cutter button
- (29) Stitch width adjusting dial
- (30) Stitch length adjusting dial
- (31) Lower thread guide
- (32) Needle clamp screw
- (33) Needle bar thread guide
- (34) Needle
- (35) Zigzag foot A
- (36) Needle plate
- (37) Hook cover release button
- (38) Hook cover plate
- (39) Bobbin thread cutter
- (40) Feed dogs
- (41) Foot holder
- (42) Thumbscrew
- (43) Lever
- (44) Buttonhole lever
- (45) Needle threader guide

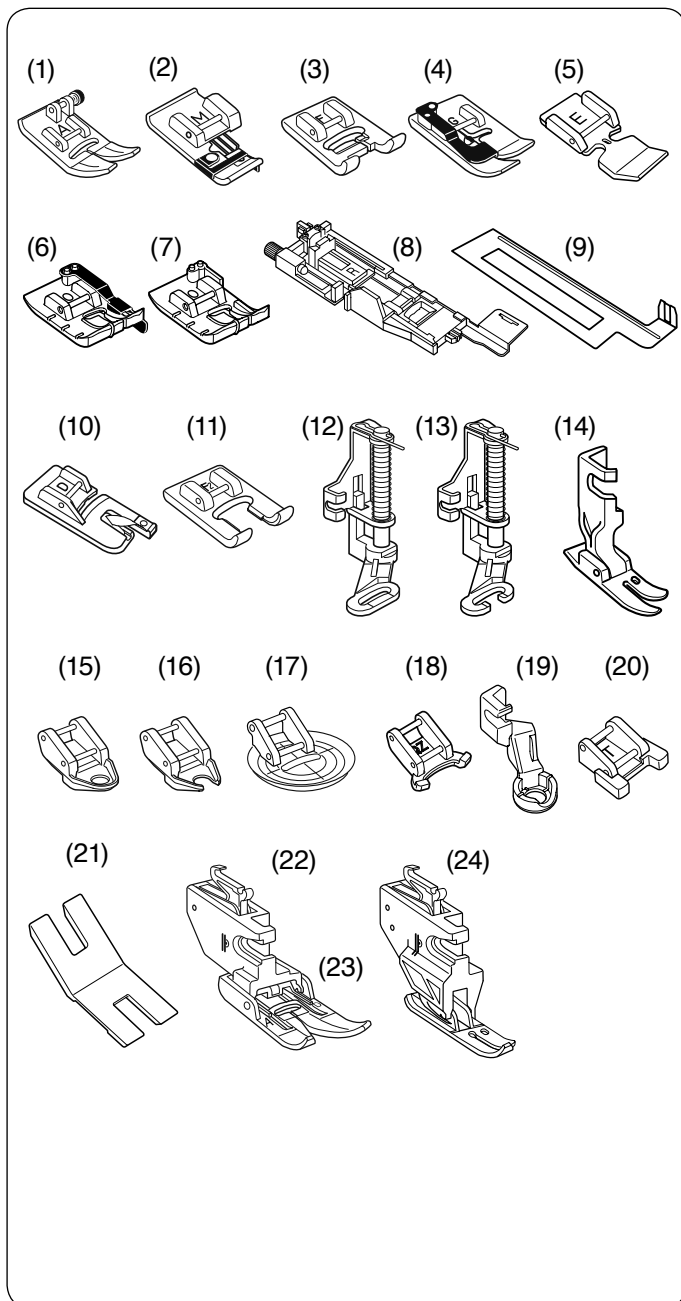




- (46) Carrying handle
- (47) Handwheel
- (48) Dual feed balancing dial
- (49) Ventilation openings
- (50) Thread cutter switch jack
- (51) USB port
- (52) Drop feed lever
- (53) Machine socket
- (54) Foot control jack
- (55) Power switch
- (56) Dual feed drive
- (57) Presser foot lifter
- (58) Attachment connector cover

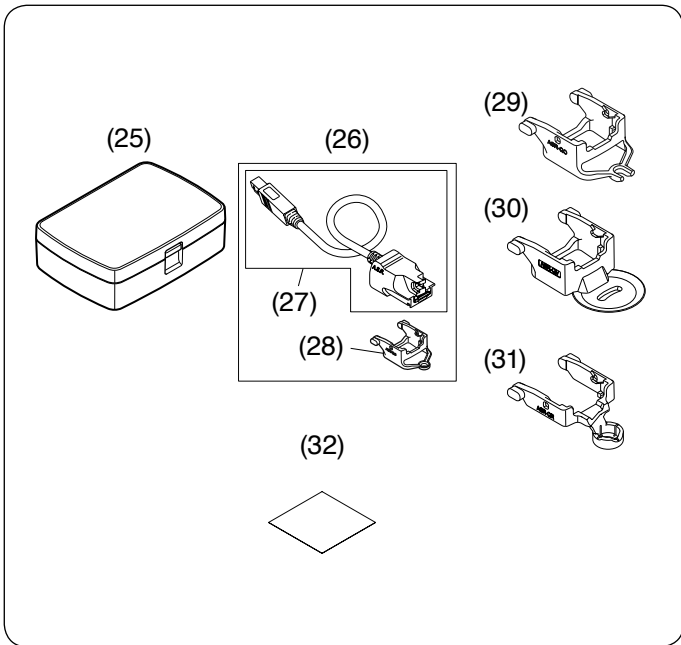
NOTE:

- To carry the sewing machine, hold the carrying handle with your hand, and support the sewing machine with the other hand.
- Sewing machine design and specifications are subject to change without prior notice.



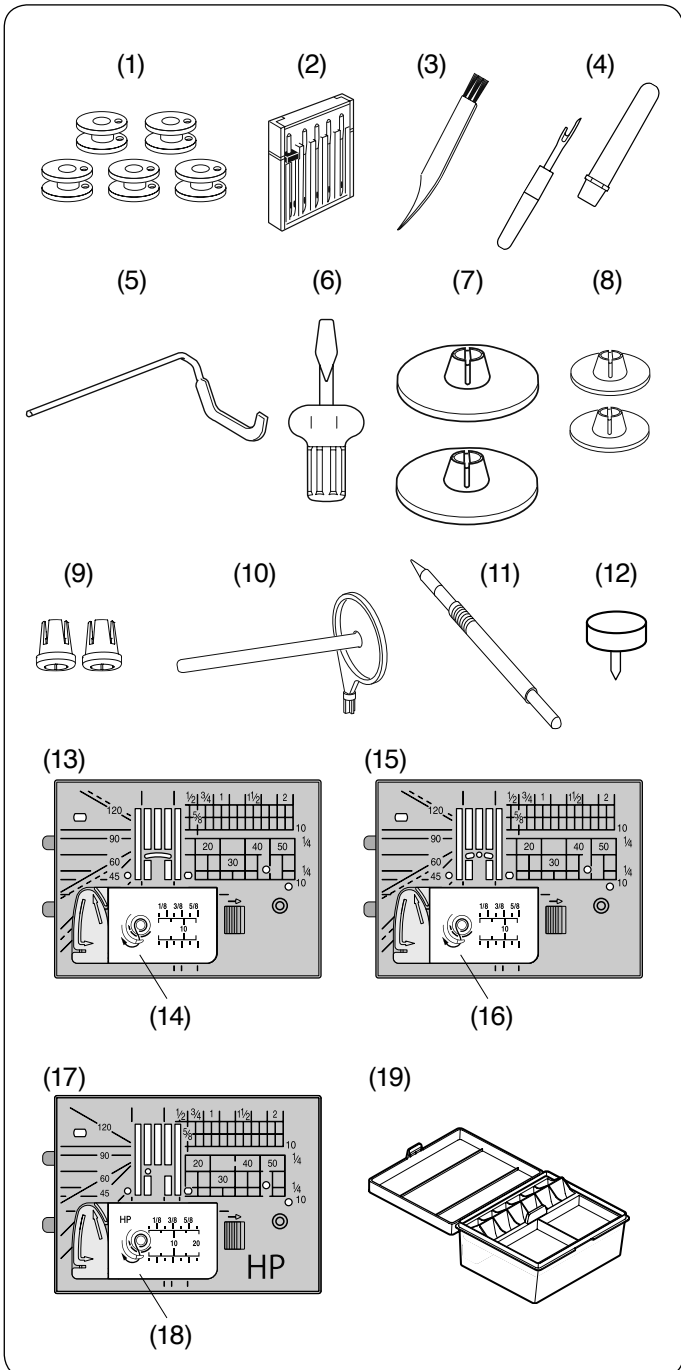
Standard Accessories

No.	Part Name	Part No.
1	Zigzag foot A (set on the machine)	859802006
2	Overcasting foot M	859810007
3	Satin stitch foot F	859806011
4	Blind hemming foot G	859807001
5	Zipper foot E	859805009
6	1/4" seam foot O	859814012
7	1/4" seam foot O (without guide)	202313104
8	Automatic buttonhole foot R	862822013
9	Stabilizer plate	859832016
10	Rolled hem foot D	859804008
11	Open-toe satin stitch foot F2	859813000
12	Darning foot PD-H	859839002
13	Darning foot PD-H (open-toe)	859839013
14	Professional grade foot HP	865803006
15	Free motion quilting closed-toe foot QC	859836009
16	Free motion quilting open-toe foot QO	859837000
17	Free motion quilting zigzag foot QV	859812009
18	Variable zigzag open-toe foot QZ	862895006
19	Ruler work foot QR	862896007
20	Button sewing foot T	859811008
21	Button shank plate	832820007
22	Dual feed holder	859817015
23	Dual feed foot AD	859819109
24	Dual feed plus professional foot HP2	865522008



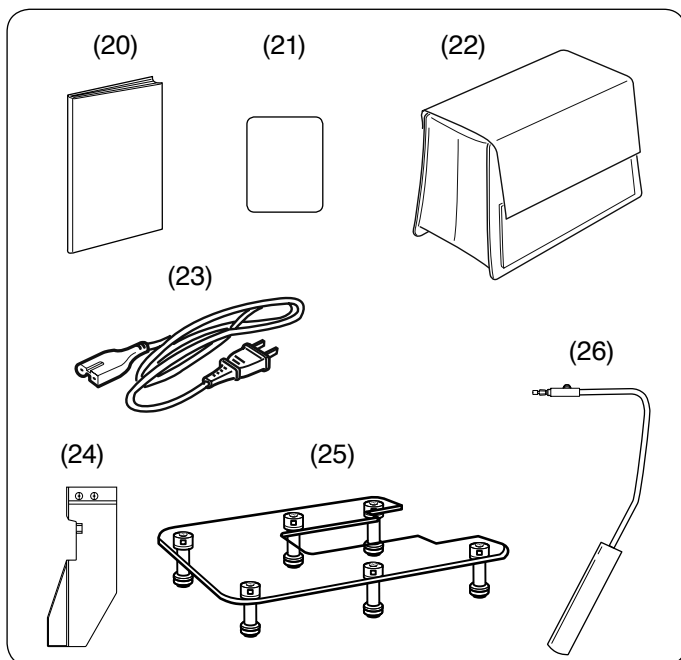
Standard Accessories

No.	Part Name	Part No.
25	A.S.R. case	869408010
26	A.S.R. (Accurate Stitch Regulator) with ASR-QC	868835006
27	A.S.R.	868835017
28	A.S.R. closed-toe foot ASR-QC	868837008
29	A.S.R. open-toe foot ASR-QO	868837101
30	A.S.R. clear-view foot ASR-QV	868837204
31	A.S.R. ruler work foot ASR-QR	868837307
32	A.S.R. instruction card	103334A01



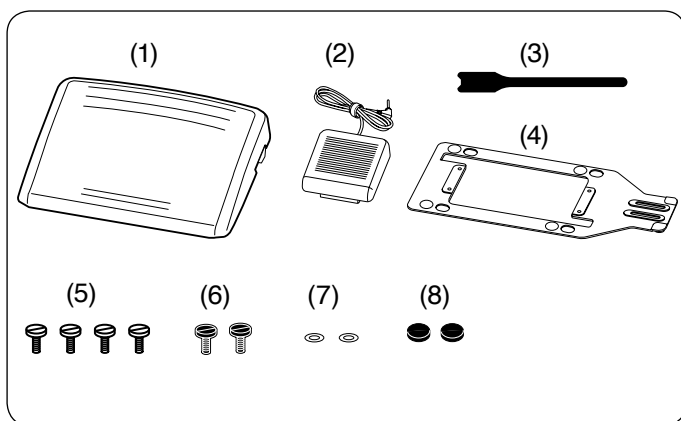
No.	Part Name	Part No.
1	Bobbin x 5* (1 set on the machine)	102261103
2	Needle set	859856005
3	Lint brush	802424004
4	Seam ripper (Buttonhole opener)	647808009
5	Quilting guide bar	755802001
6	Screwdriver	820832005
7	Spool holder (large) x 2* (1 set on the machine)	822020503
8	Spool holder (small) x 2*	822019509
9	Spool holder (special) x 2*	862408008
10	Extra spool pin	809146000
11	Touch panel stylus	860194002
12	Circular pivot pin	849801004
13	Needle plate (set on the machine)	861606016
14	Hook cover plate	809136100
15	Straight stitch needle plate	862817118
16	Hook cover plate	809136100
17	Professional grade needle plate HP	865805019
18	Hook cover plate (HP)	809136A01
19	Accessory case	866801018

* This is a part number of single item (not set number).



No.	Part Name	Part No.	
20	Instruction book	869800407	
21	Threading guide sticker	101506A08	
22	Dust cover	858802069	
23	Power supply cable**	U.S.A. and Canada	856519004
		U.K.	830377008
		Australia	830314018
		Continental Europe	830335004
24	Cloth guide	858401008	
25	Extra wide table	865812008	
26	Knee lifter	846417022	

** The power supply cable included may differ from the illustration.



No.	Part Name	Part No.
1	Foot control	043170108
2	Thread cutter switch	865810006
3	Cable tie	767849306
4	Base plate	767849100
	*Rubber sole x 6**	525010005
5	Setscrew A x 4**	000081005
6	Setscrew B x 2**	865045002
7	Washer x 2**	000072508
8	Rubber sole x 2**	525010005

* Rubber sole x 6 are already attached on the under side of the base plate.

** This is a part number of single item (not set number).

Instructional Video

A presentation video with quick-start information for this model is available online and can be accessed using the following QR code.



<https://www.youtube.com/playlist?list=PLzURYW7eSwbGCTc2tRbWKe5sG0kPfkCz>

Download application for PC

You can design and create your own stitch patterns.

* This application is for PC only.

<https://global.eln.com/excellence-782-stitch-composer/>



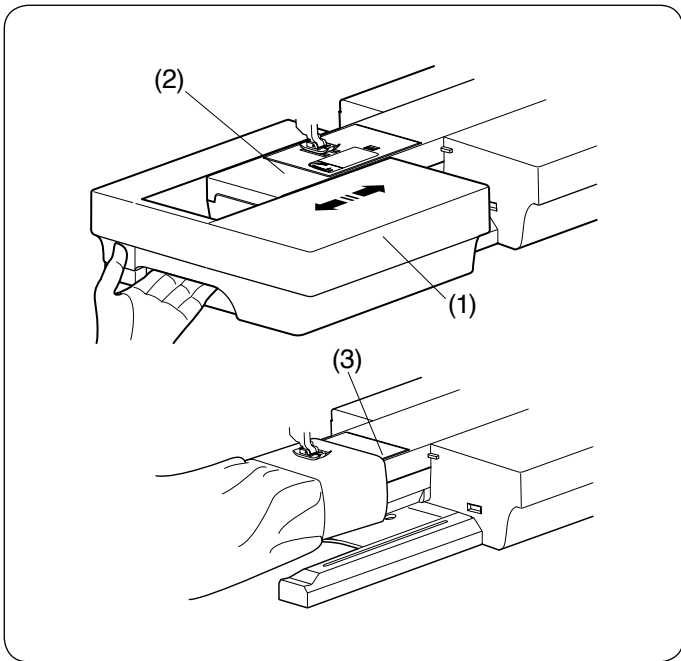
StitchComposer

Optional accessories

Optional accessories for this model are available by accessing the following QR code.



<https://global.eln.com/optional-accessories/>



Extension Table

The extension table provides an extended sewing area and can be removed for free-arm sewing.

- (1) Extension table
- (2) Free-arm

To detach:

Draw the table out to the left.

To attach:

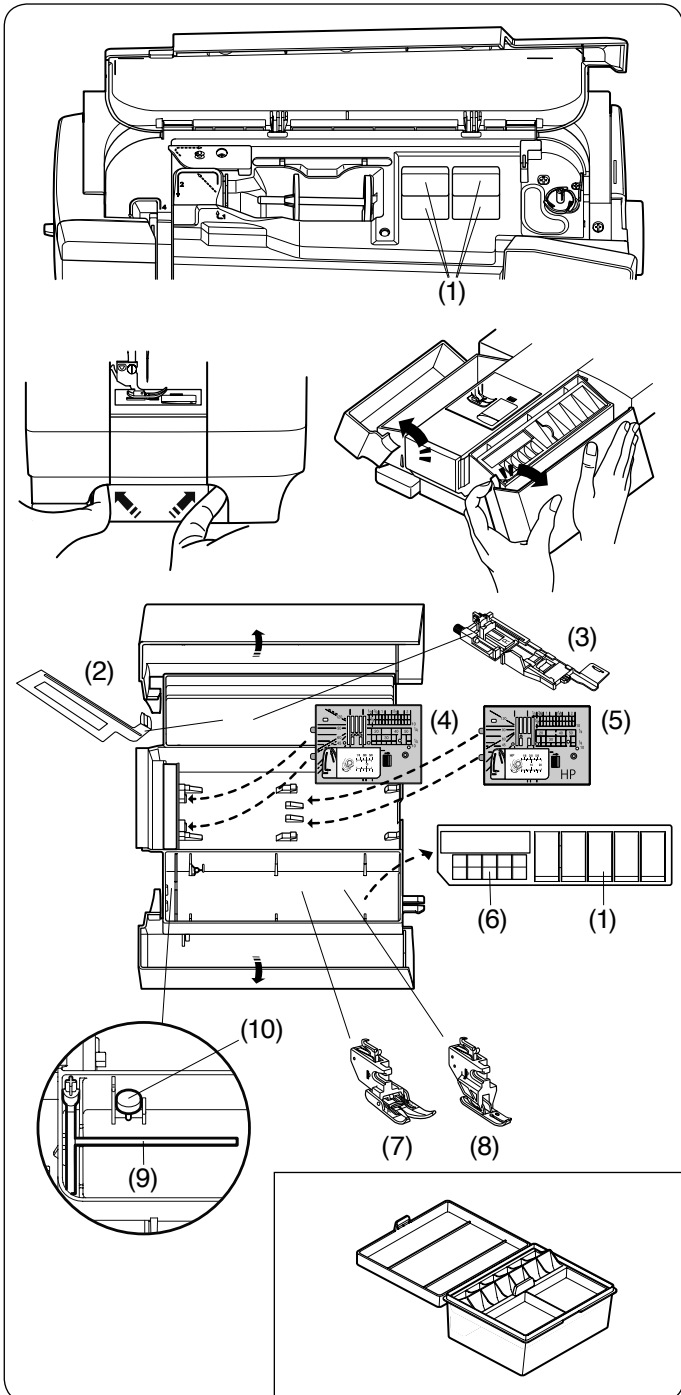
Slide the table on the base and push the table to the right.

Free-arm Sewing

Free-arm sewing is used for stitching sleeves, waistbands, pant legs or any other tubular garments.

It is also useful for darning socks or mending knees or elbows.

- (3) Free-arm



Accessory Storage

The accessories can be conveniently stored in the accessory case, the compartments of the extension table and the compartments under the top cover.

To store the accessories in the compartment of the extension table, hook your fingers in the hollow on the left side of the extension table. While holding the extension table with the other hand, pull it open in the direction of the arrow to open it.

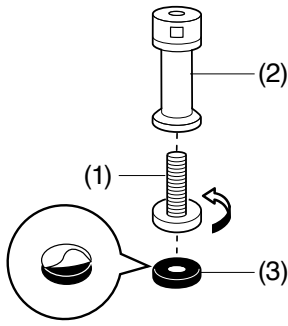
- (1) Foot compartment
- (2) Stabilizer plate
- (3) Automatic buttonhole foot R
- (4) Straight stitch needle plate
- (5) Professional grade needle plate HP
- (6) Bobbin
- (7) Dual feed foot AD
- (8) Dual feed plus professional foot HP2
- (9) Extra spool pin
- (10) Circular pivot pin

Other accessories can be also stored in the compartment in the extension table.

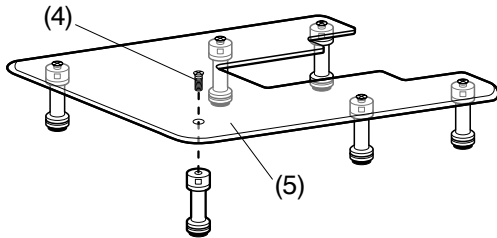
Accessory Case

To store the other accessories, open the accessory case and store in the appropriate places. Optional accessories can also be stored in this case.

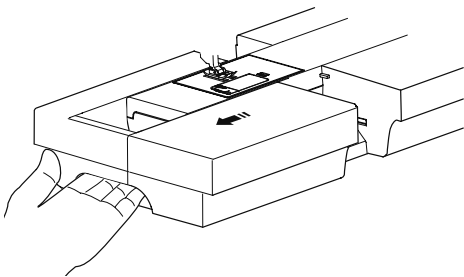
1. 2.



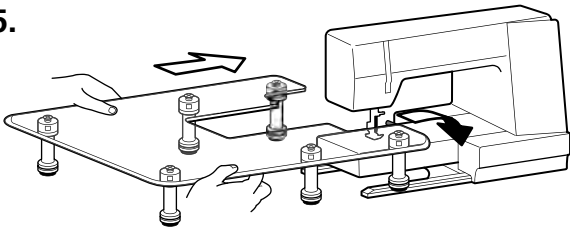
3.



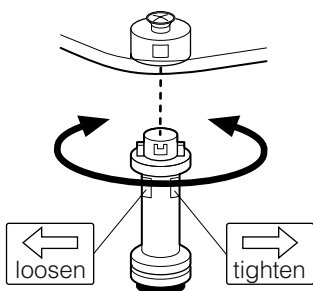
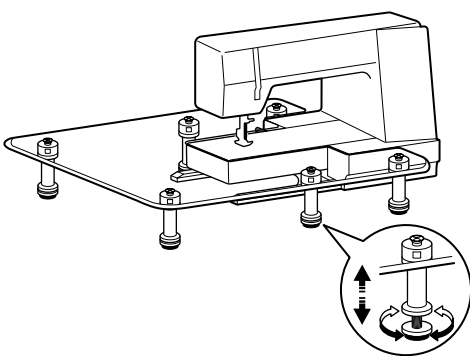
4.



5.



6.



Extra Wide Table

To attach:

1. Screw the adjusting screws into the legs.
2. Peel off the backing paper from the rubber soles and attach to the bottom of the legs.

- (1) Adjusting screw
- (2) Leg
- (3) Rubber sole

3. Attach the 6 legs to the table top with the setscrews.

- (4) Setscrew
- (5) Table top

4. Remove the extension table.

5. Place the assembled table on the machine.

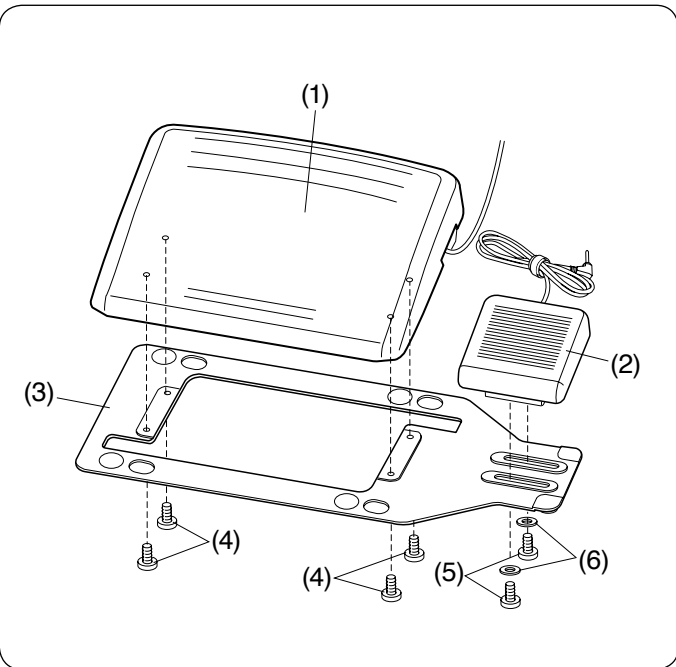
6. Adjust the height of the table top by turning the adjusting screw.

To remove:

To remove the legs from the table top, you do not have to loosen the setscrews.

Turn the leg clockwise to remove the leg from the table top.

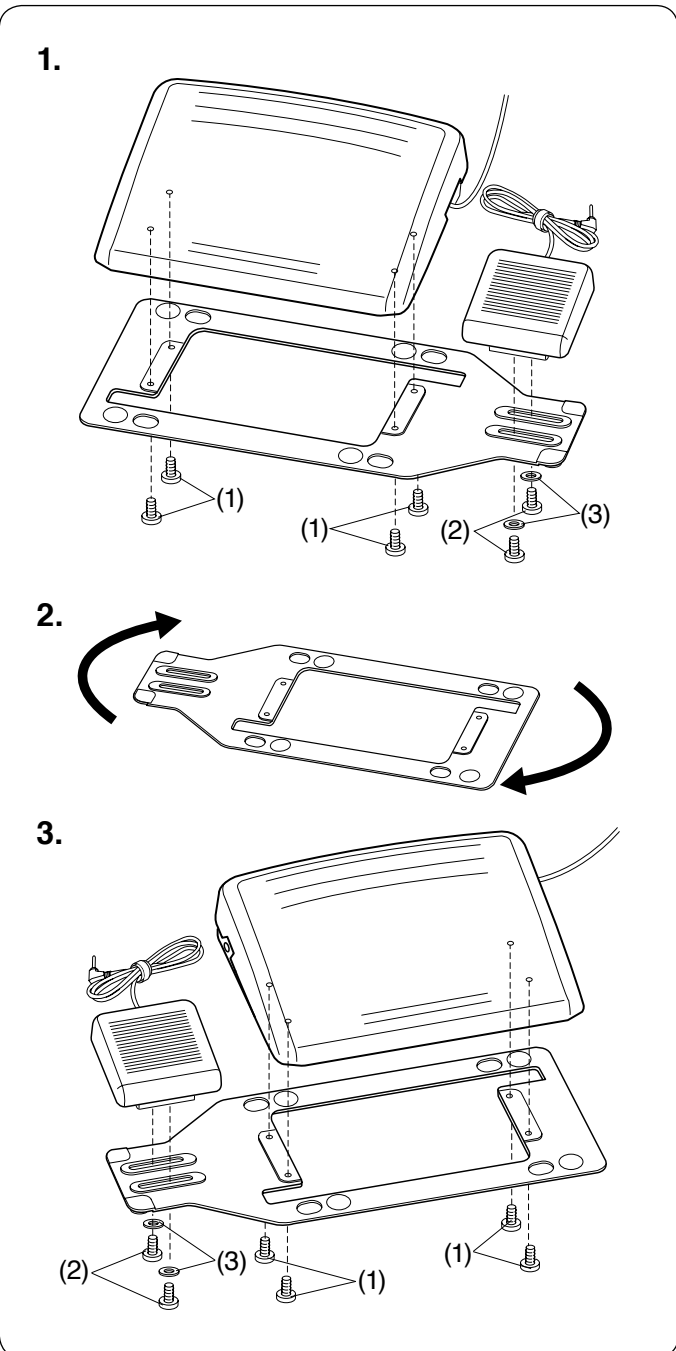
To attach the leg to the table top again, insert the leg into the attachment of the leg, then turn the leg counterclockwise until it stops.



Foot Control and Thread Cutter Switch

To attach the foot control and the thread cutter switch to the base plate, tighten setscrews, and setscrews with washers as shown.

- (1) Foot control
- (2) Thread cutter switch
- (3) Base plate
- (4) Setscrew A
- (5) Setscrew B
- (6) Washer



Adjusting the Thread Cutter Switch Position

Placing the thread cutter switch to the left.

The thread cutter switch position can be adjusted for your convenience.

If you wish to attach the thread cutter switch to the left side of the foot control, follow the procedure below.

NOTE:

A Phillips head screwdriver is not included with this machine.

1. Remove the setscrews A, B and washers with a Phillips head screwdriver.

- (1) Setscrew A
- (2) Setscrew B
- (3) Washer

2. Turn the base plate 180 degrees.

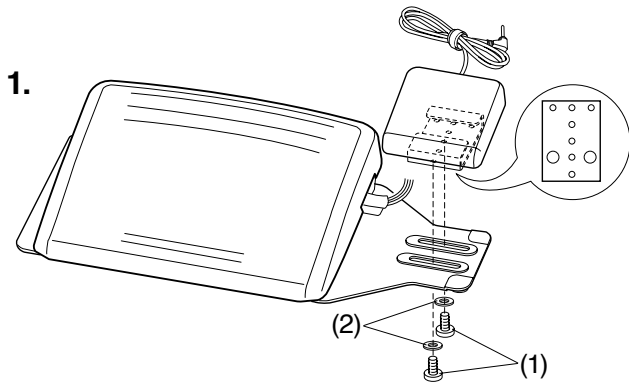
3. Attach the foot control and thread cutter switch with the setscrews and the washers. Tighten the setscrews A and B. Be sure that the cable is not caught between the foot control and the base plate.

- (1) Setscrew A
- (2) Setscrew B
- (3) Washer

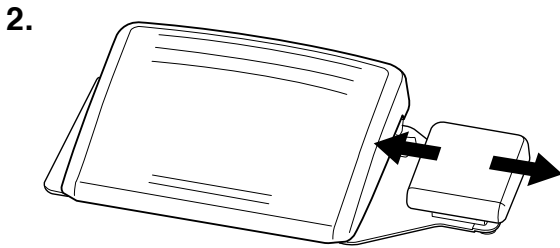
Adjusting the horizontal position of the thread cutter switch

1. Loosen the setscrews under the switch.

- (1) Setscrew
- (2) Washer



2. Slide the switch to the left or right, and fix it at the desired position by tightening the setscrews with a screwdriver.

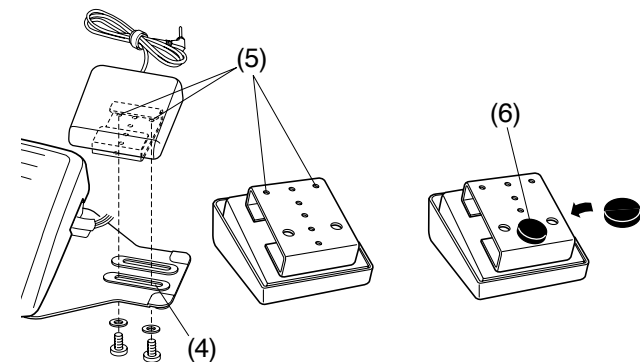
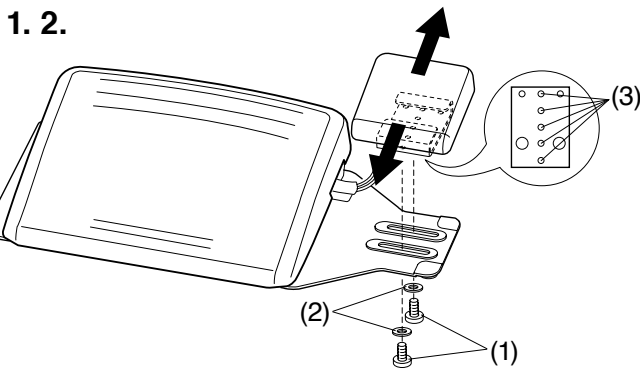


Adjusting the vertical position of the thread cutter switch

1. Remove the setscrews and washers.

2. Move the switch forward or backward, attach the switch at the desired position and fix it with the setscrews and washers.

- (1) Setscrew
- (2) Washer
- (3) Desired position



NOTE:

- To fix the thread cutter switch at its lowest position, fix the setscrews into the hole (4), and then holes (5).
- Tighten the setscrews securely.
- Peel off the backing paper from the rubber sole (6) and attach it to the bottom of the thread cutter switch as shown.

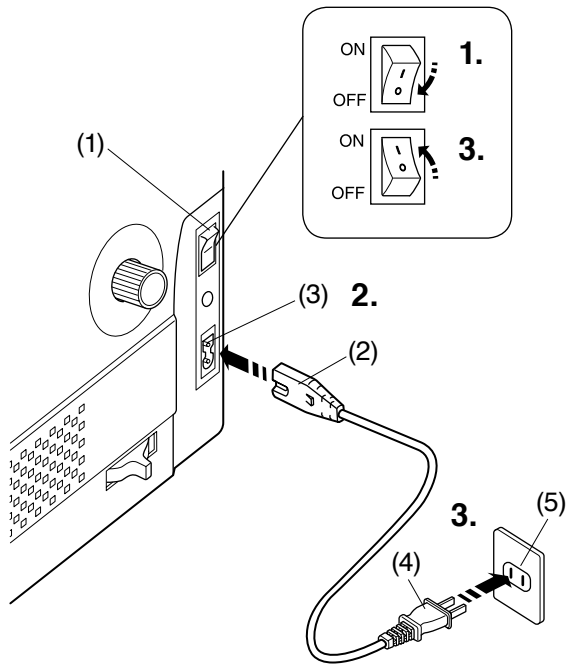
GETTING READY TO SEW

Connecting the Power Supply

Using Start/Stop Button

1. First make sure the power switch is off.
2. Insert the machine plug of the power supply cable into the machine socket.
3. Insert the power supply plug into the wall outlet, and turn the power switch on.

- (1) Power switch
- (2) Machine plug
- (3) Machine socket
- (4) Power supply plug
- (5) Wall outlet



NOTE:

- Make sure to use the power supply cable that came with the machine.
- If you turn off the power switch, wait for 5 seconds before turning it on again.

⚠ WARNING:

- While in operation, always keep your eyes on the sewing area, and do not touch any moving parts such as the thread take-up lever, handwheel or needle.
- Always turn off the power switch and unplug the machine from the power supply:
 - when leaving the machine unattended.
 - when attaching or removing parts.
 - when cleaning the machine.
- Do not place anything on the foot control.

Before Using Your Sewing Machine

Before using your sewing machine for the first time, place a scrap of fabric under the presser foot and run the machine for a few minutes.

Wipe away any oil which may appear.

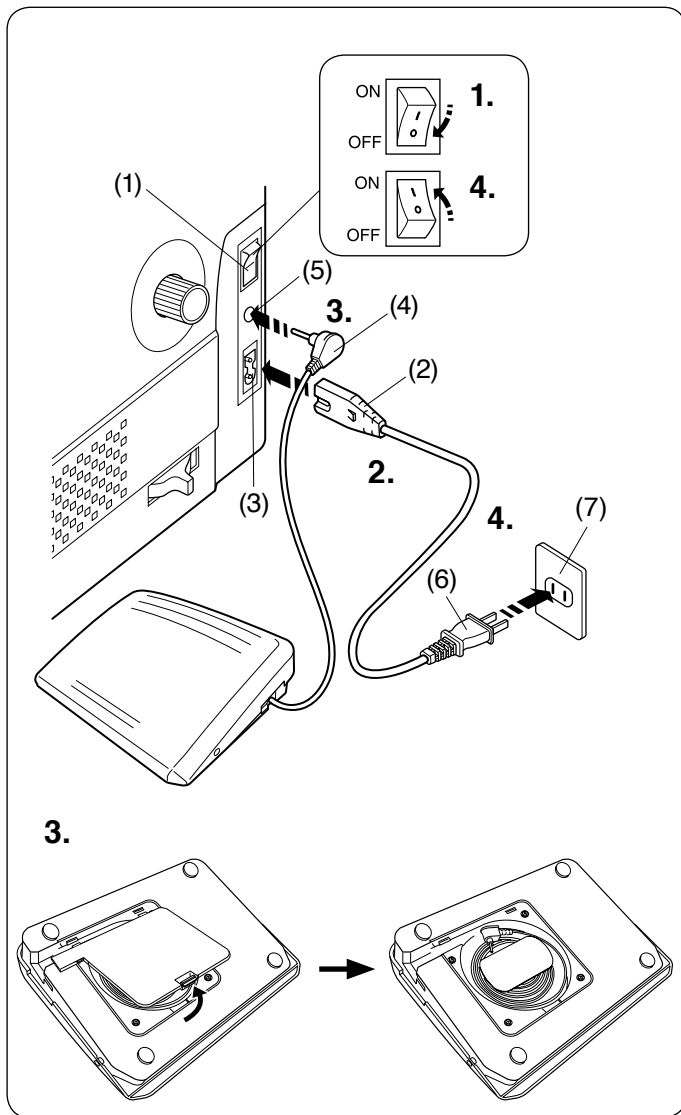
Operating Instructions:

The symbol "O" on the switch indicates the "off" position of the switch.

For the U.S.A. and Canada only

Polarized plug (one blade wider than the other):

To reduce the risk of electric shock, this plug is intended to fit in a polarized outlet only one way. If it does not fit fully in the outlet, reverse the plug. If it still does not fit, contact a qualified electrician to install the proper outlet. Do not modify the plug in any way.



Using Foot Control

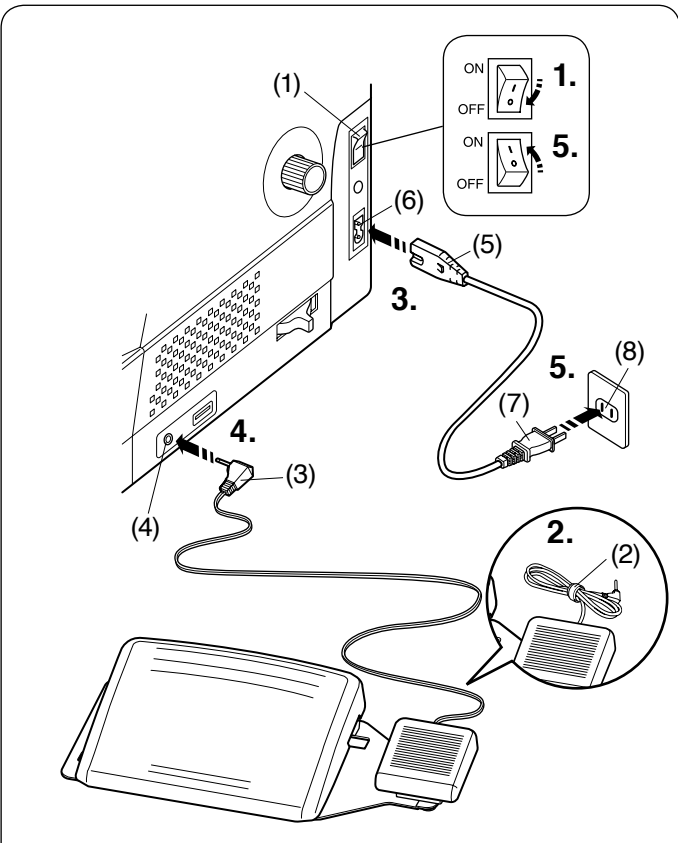
If you wish to use the foot control, pull out the cord from the foot control and insert the pin connector into the jack on the machine.

1. First make sure the power switch is off.
2. Insert the machine plug of the power supply cable into the machine socket.
3. Draw out the cord from the foot control and insert the pin connector into the foot control jack on the machine.
4. Insert the power supply plug into the wall outlet, and turn the power switch on.

- (1) Power switch
- (2) Machine plug
- (3) Machine socket
- (4) Pin connector
- (5) Foot control jack
- (6) Power supply plug
- (7) Wall outlet

NOTE:

The start/stop button does not work when the foot control is connected.

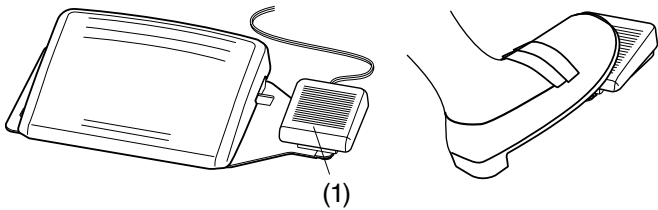


Thread Cutter Switch

If you wish to use the thread cutter switch, insert the pin connector into the thread cutter switch jack on the machine.

1. First make sure the power switch is off.
2. Remove the cable tie from the cable.
3. Insert the machine plug of the power supply cable into the machine socket.
4. Insert the pin connector into the thread cutter switch jack on the machine.
5. Insert the power supply plug into the wall outlet, and turn the power switch on.

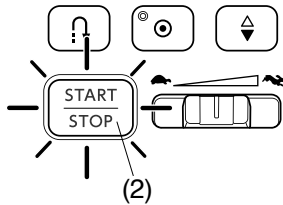
- (1) Power switch
- (2) Cable tie
- (3) Pin connector
- (4) Thread cutter switch jack
- (5) Machine plug
- (6) Machine socket
- (7) Power supply plug
- (8) Wall outlet



After sewing, depress the thread cutter switch on the right side of the foot control to trim both the needle and bobbin threads.

Do not depress the thread cutter switch until the start/stop button turns blue (2).

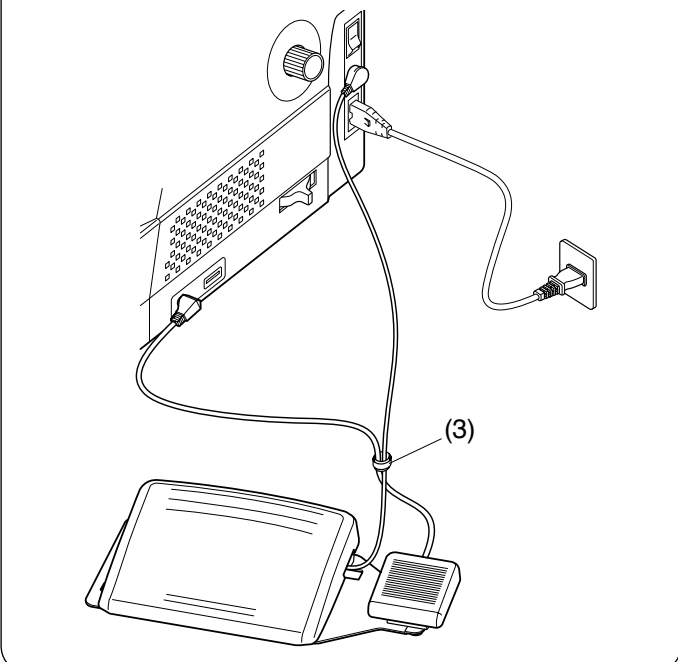
- (1) Thread cutter switch

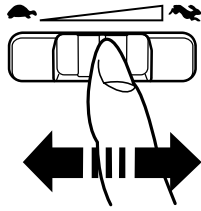


NOTE:

- The thread cutter switch does not work without the foot control being depressed first.
- Bundle the cables with the cable tie as necessary.

- (3) Cable tie





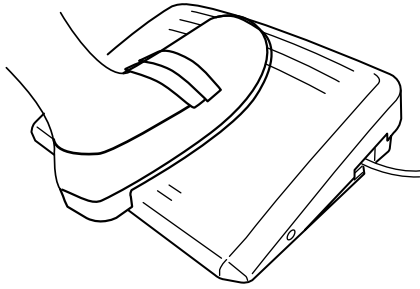
Controlling Sewing Speed

Speed Control Slider

You can limit the maximum sewing speed with the speed control slider according to your sewing needs.

To increase the sewing speed, move the slider to the right. To decrease the sewing speed, move the slider to the left.

The sewing speed can be changed while stitching.



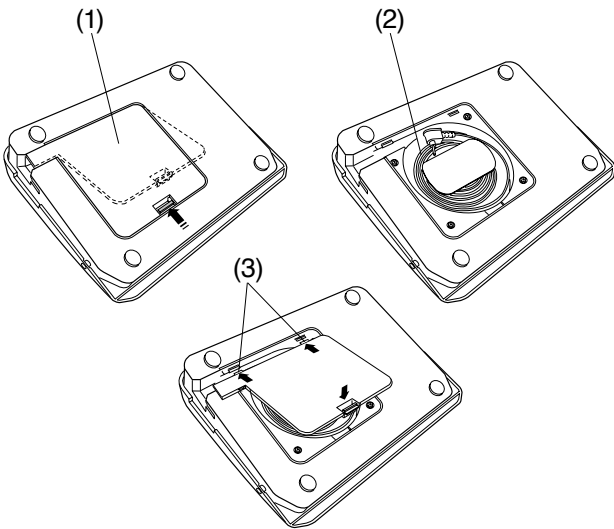
Foot Control

Pressing on the foot control can vary sewing speed.

The harder you press the foot control, the faster the machine runs.

NOTE:

- The machine runs at the maximum speed set by the speed control slider when the foot control is fully depressed.
- You can select the desired start-up speed from slow, medium or high (refer to page 143).
- This machine is equipped with an automatic shutdown safety feature to prevent overheating whenever the machine is running overloaded. Follow the safety instructions that appear on the visual touch screen.



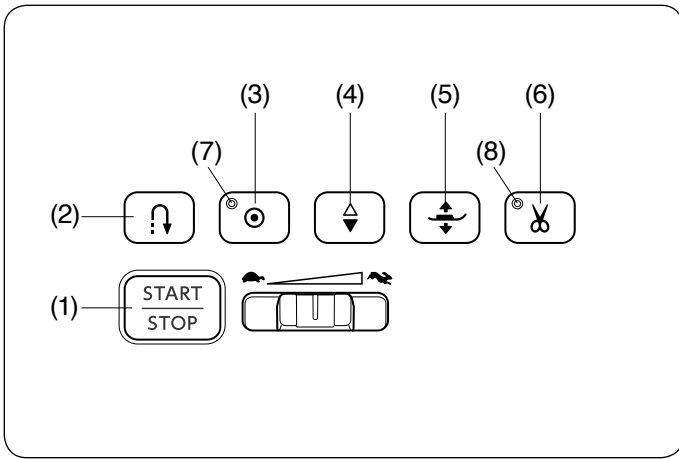
Cord storage

The cord of the foot control can be conveniently stored in the cord storage under the base cover of the foot control.

- (1) Base cover
- (2) Cord
- (3) Hooks

Operating Instructions:

Foot control model 21380 is for use with this sewing machine.



Machine Operating Buttons

(1) Start/stop button

Press this button to start or stop the machine.

The machine starts running slowly for the first few stitches, then runs at the speed set by the speed control slider. The machine runs slowly as long as this button is pressed.

The button will turn red when the machine is running, and blue when it has been stopped.

Pressing and holding this button while sewing will slow down the sewing speed and the machine will stop when the button is released.

NOTE:

- The start/stop button cannot be used when the foot control is connected to the machine.
- You can select the desired start-up speed from slow, medium or high (refer to page 143).

(2) Reverse button

- **When the following stitch patterns are selected:**

Utility	Applique	Quilt	Bridge	Decorative

The machine will sew in reverse as long as the reverse button is pressed. Release the button to sew forward. When the machine is stopped and foot control is disconnected, the machine will sew in reverse slowly as long as the reverse button is pressed. Release the button to stop the machine.

- **When any other stitches are selected:**

If you press the reverse button when sewing any other patterns, the machine will immediately sew locking stitches and automatically stop.

NOTE:

There will be particular functions of the reverse button when stitch pattern U2, U3, B2, B13, or B14 is selected. Refer to pages 47, 62-63, 68 and 121 for instructions.

(3) Auto-lock button

- **When the following stitch patterns are selected:**

Utility	Applique	Quilt	Bridge	Decorative

Press the auto-lock button to sew a locking stitch immediately. The machine will automatically stop.

When the machine is stopped, press the auto-lock button and the LED signal (7) will blink. The machine will immediately sew locking stitches and automatically stop when the machine is started.

- **When any other stitches are selected:**

Press the auto-lock button to sew a locking stitch at the end of current pattern. The machine will automatically stop.

When the machine is stopped, press the auto-lock button and the LED signal (7) will blink. The machine will sew a locking stitch at the end of the current pattern and automatically stop when the machine is started.

The machine will trim the threads automatically after locking the stitch when the auto thread cutting is turned on (refer to page 142).

(4) Needle up/down button

Press this button to bring the needle bar up or down. The machine will stop with the needle in down position. However, you can change the needle stop position in the machine setting mode (refer to page 142).

(5) Presser foot lifter button

The presser foot will go up or down by pressing this button.

You can also use the presser foot lifter and knee lifter to raise and lower the presser foot (refer to pages 18 and 34).

(6) Thread cutter button

After finishing sewing, press this button to trim the threads. The needle bar automatically rises after trimming the threads (refer to page 42).

The LED signal (8) blinks when the machine trims threads.

NOTE:

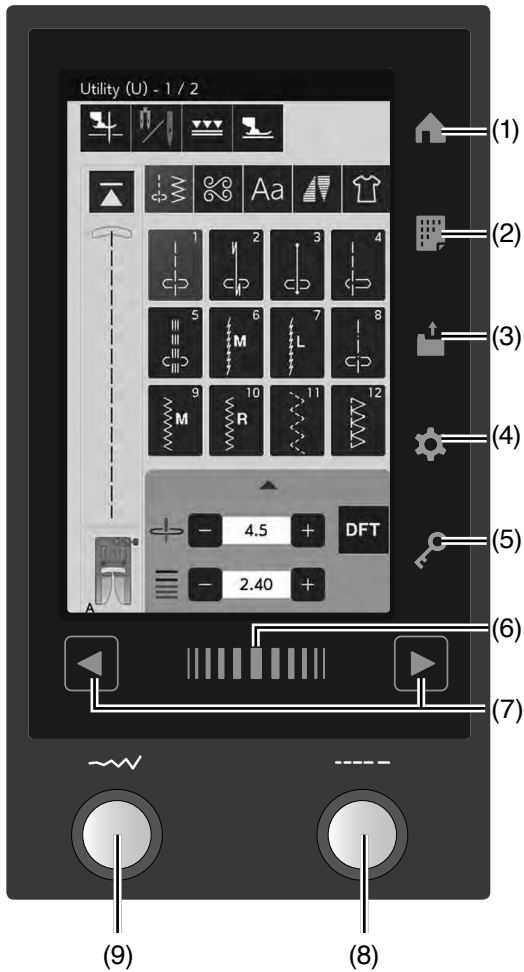
- The thread cutter button does not function:
 - directly after turning on the power.
 - when the presser foot is raised with the presser foot lifter.
 - after being pressed 3 times in a row.
- Use the thread cutter on the face plate if the thread is #30 or thicker (refer to page 42).

After using auto thread cutting or threading the bobbin holder, you can start sewing without drawing up the bobbin thread.

Touch Panel Keys and Jog Dials

CAUTION:

Do not press the touch panel or visual touch screen with hard or sharp objects like pencils or screwdrivers. Use the touch panel stylus included in the standard accessories.



(1) Home key

Press this key to return the top of the utility stitch pattern selections.

(2) Stitch reference key (refer to page 19)

Press this key to show the stitch reference chart.

(3) Open file key (refer to pages 81 and 102)

Press this key and the open file window will open.

You can open pattern combinations and monograms saved in the machine's internal memory or on a USB flash drive.

(4) Set mode key (refer to page 138)

Press this key to enter the setting mode. You can customize the machine settings to your preference.

The settings for "Machine Settings", "Sewing Settings", and "Language Setting" are available in this mode.

(5) Lockout key

Press this key to lockout the machine when threading the machine, replacing the accessories, etc.

To reduce the risk of injury, all the buttons except the lockout key and presser foot lifter button are deactivated.

To unlock the machine, press this key again.

(6) Touch bar

Press on the bar and slide to the right or left to display the next page or previous page.

(7) Page keys

Press the page key to display the next page or previous page. Press and hold the page key to turn the pages continuously.

(8) Stitch length adjusting dial (refer to pages 51, 60, etc.)

Turn this jog dial to alter the stitch length of the selected pattern.

(9) Stitch width adjusting dial (refer to pages 50, 53, 60, 68, 122, etc.)

Turn this jog dial to alter the stitch width or needle drop position of the selected stitch pattern.

Raising and Lowering the Presser Foot

CAUTION:

Do not turn the handwheel or press the needle up/down button when the presser foot is in extra lifted position. This may cause damage to the presser foot.

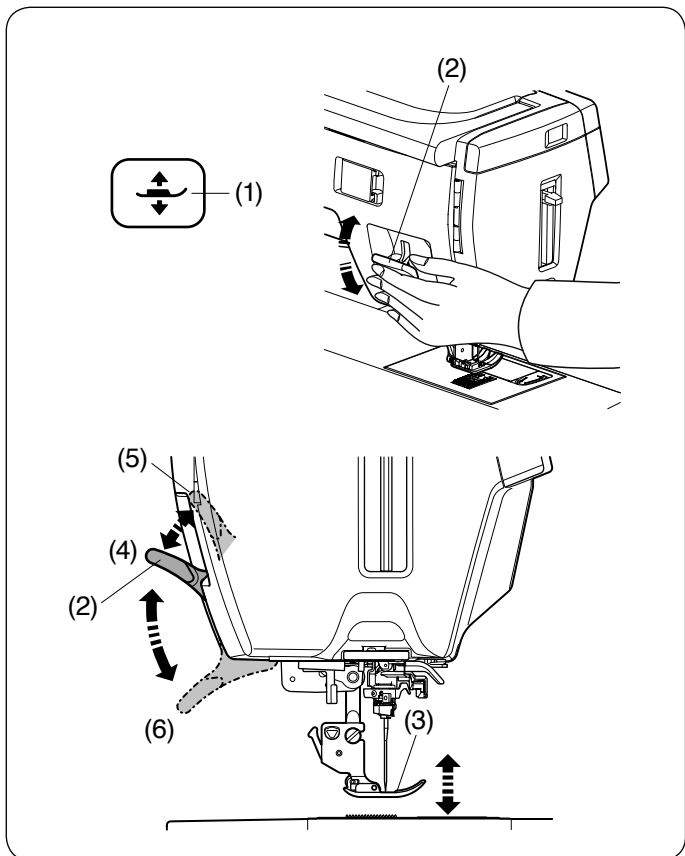
The presser foot lifter button, the presser foot lifter or the knee lifter raises and lowers the presser foot.

You can raise the presser foot about 6 mm (1/4") higher than the normal up position by exerting more pressure when lifting the presser foot lifter or knee lifter. This helps you to place layers of thick fabric.

- (1) Presser foot lifter button
- (2) Presser foot lifter
- (3) Presser foot
- (4) Up position
- (5) Extra lifted position
- (6) Down position

NOTE:

The presser foot cannot be lowered with the presser foot lifter if the foot was raised with the presser foot lifter button.



Stitch Reference Chart

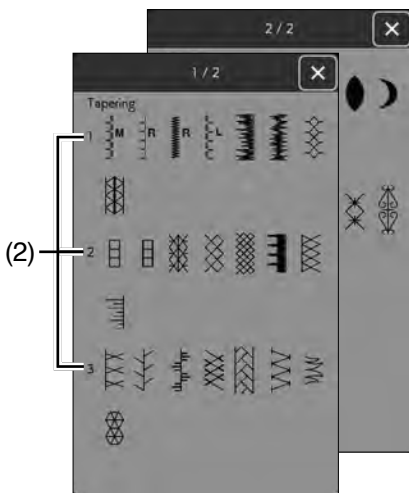
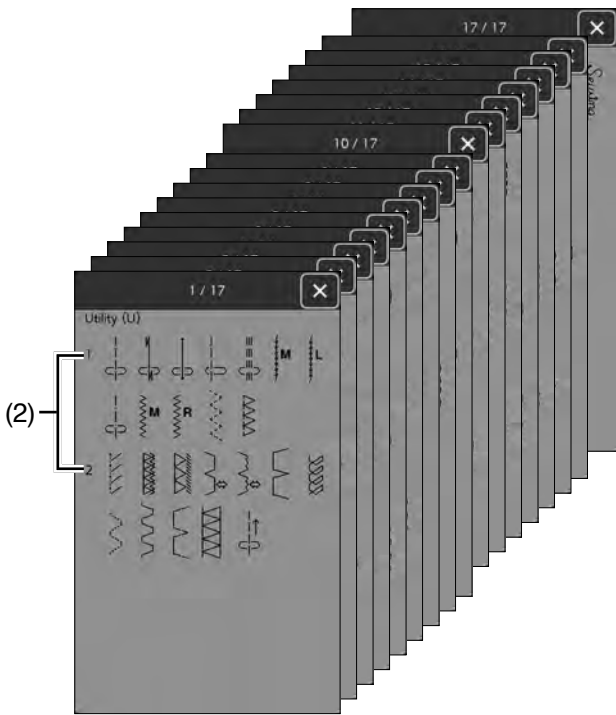
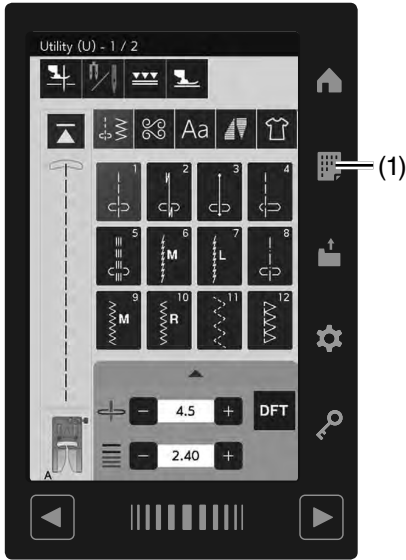
Press the stitch reference key to show the stitch reference chart window.

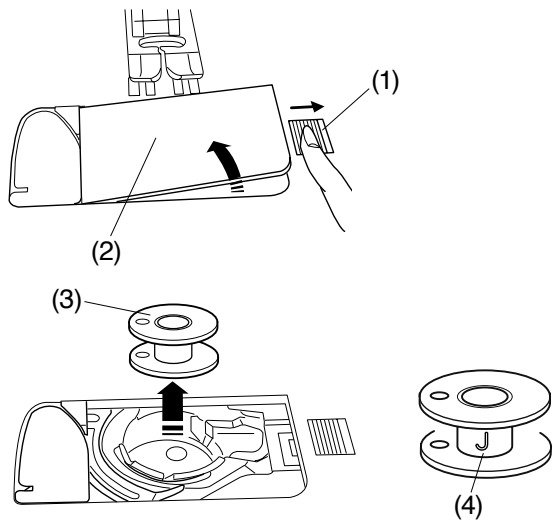
You can select stitches directly by pressing stitch patterns in the stitch reference charts.

- (1) Stitch reference key
- (2) Page number

NOTE:

- Stitch reference charts will not be displayed if the monogram key or sewing application key is selected.
- When selecting some specific sewing such as twin needle sewing, stitch patterns not suitable for those sewing in the stitch reference chart are grayed out and cannot be selected.





Winding the Bobbin

Removing the Bobbin

Press the lockout key.

Slide the hook cover release button to the right, and remove the hook cover plate.

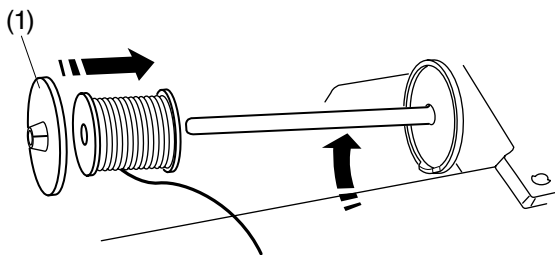
- (1) Hook cover release button
- (2) Hook cover plate

Lift out the bobbin from the bobbin holder.

- (3) Bobbin

NOTE:

- Use "J" plastic bobbins (4) for the horizontal hook. Using other bobbins, such as pre-wound paper bobbins, may cause stitching problems and/or damage to the bobbin holder.
- Do not use the easy bobbin or metal bobbins.

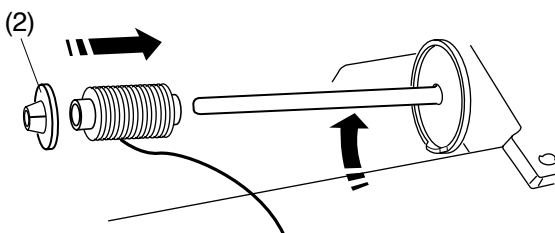


Setting the spool of thread

Lift up the spool pin. Place the spool of thread on the spool pin.

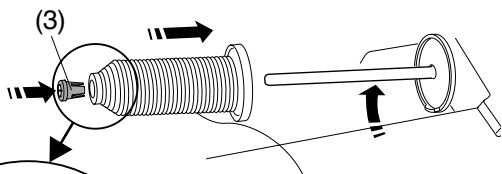
Attach the spool holder (large), and press it firmly against the spool of thread.

- (1) Spool holder (large)



Use the spool holder (small) to hold narrow or small spools of thread.

- (2) Spool holder (small)

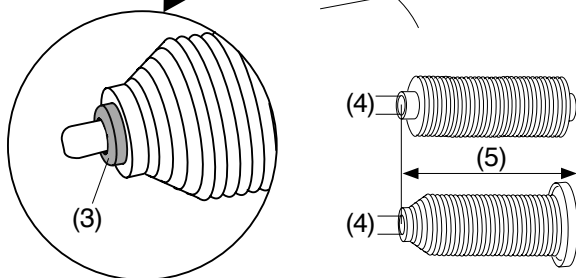


Use the spool holder (special) to hold the specific size of the spool of threads as shown.

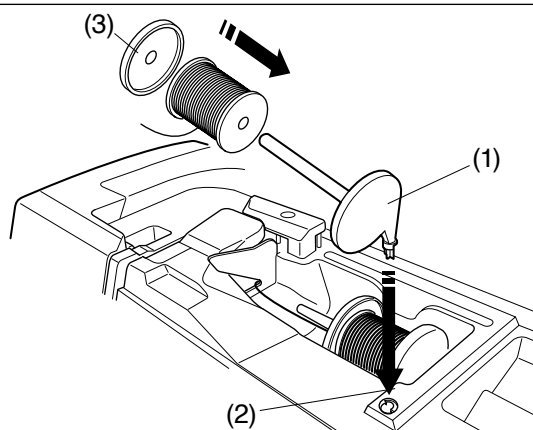
The sizes of the spools of thread are as follows;

The hole diameter of the spool has a range of 3/8" to 7/16" (9.5 mm to 10.5 mm), and the spool length has a range of 2 3/4" to 3" (70 mm to 75 mm).

- (3) Spool holder (special)
- (4) Hole diameter (3/8" to 7/16")
- (5) Spool length (2 3/4" to 3")



Firmly insert the spool holder (special) into the hole and hold the spool as illustrated.



Extra spool pin

Use the extra spool pin when you need to wind a bobbin without unthreading the machine while working on a sewing project (refer to page 21).

Insert the extra spool pin into the hole as shown.

Place a spool of thread on the extra spool pin and fix the spool with the spool holder.

- (1) Extra spool pin
- (2) Hole for extra spool pin
- (3) Spool holder

NOTE:

The extra spool pin is also used for twin needle sewing.

Winding the bobbin

NOTE:

Set the speed control slider at the fastest position (refer to page 15).

1. Pull the thread from the spool.
Hold the thread with both hands and pass the thread into the guide slot.
Draw the thread to the left and forward around the thread guide.
Draw the thread to the rear and to the right around and under the guide plate.

- (1) Guide slot
- (2) Thread guide
- (3) Guide plate

2. Firmly pull the thread to the right while holding it with both hands.

Bobbin winding when the extra spool pin is attached

If you want to wind the bobbin with the extra spool pin, do not pass the thread into the guide slot. Instead, draw the thread around the thread guide as shown.

- (1) Guide slot
- (2) Thread guide

3. Put the bobbin on the bobbin winder spindle.
Be sure that the bobbin snaps into the place.

- (4) Bobbin
- (5) Bobbin winder spindle
- (6) Slit
- (7) Spring (Projection)

4. Pass the thread to the bobbin.
Hold the thread with both hands and wind it around the bobbin clockwise several times.

5. Insert the thread into one of the slits of the flange plate and pull the thread to cut.

- (8) Flange plate
- (9) Slit

6. Push the bobbin to the right. The visual touch screen will show the bobbin winding sign.

NOTE:

Do not move the bobbin winder spindle while the machine is running.

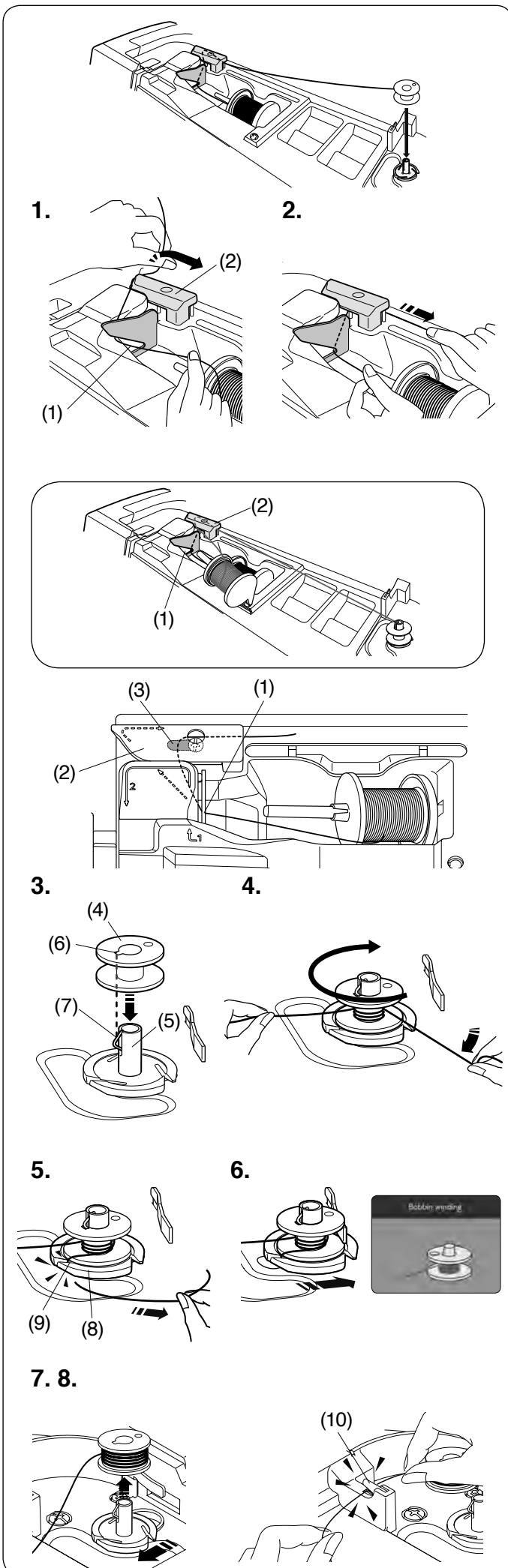
7. Start the machine.
Stop the machine when the bobbin is fully wound and stops spinning.
Return the bobbin winder spindle to its original position.

8. Remove the bobbin. Cut the thread with the bobbin thread cutter B.

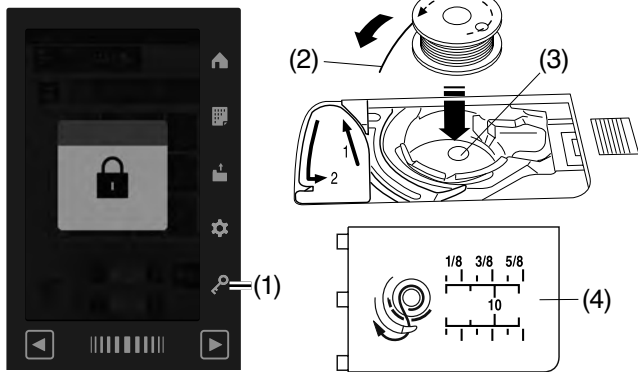
- (10) Bobbin thread cutter B

NOTE:

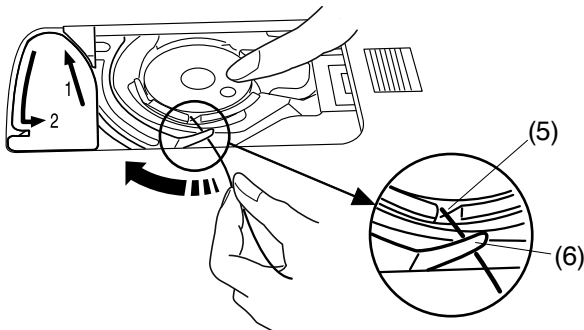
For safety purposes, the machine will automatically stop 1.5 minutes after starting bobbin winding.



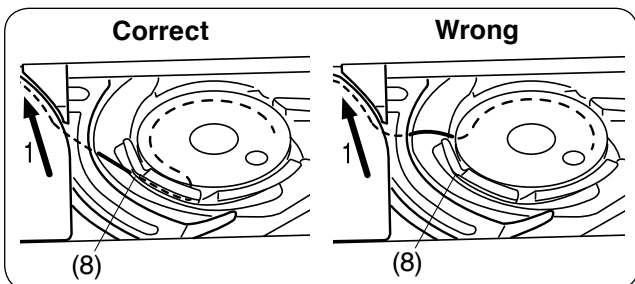
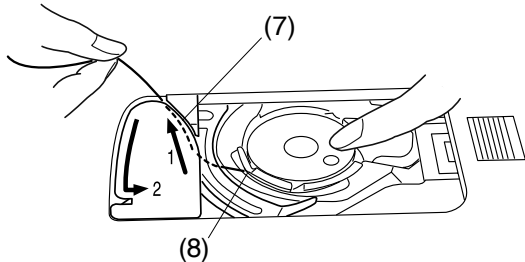
1.



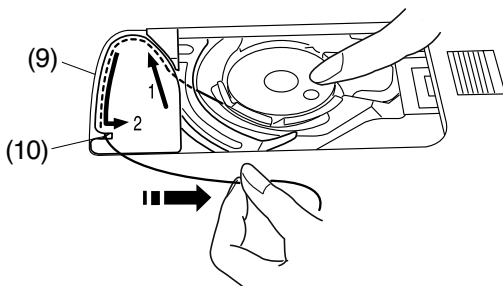
2.



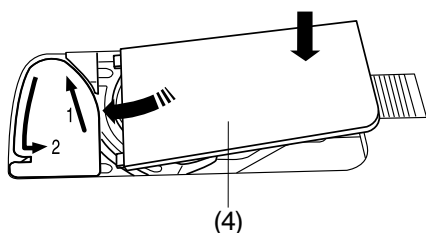
3.



4.



5.



Inserting the Bobbin

1. Press the lockout key.

Place the bobbin in the bobbin holder with the thread running off counterclockwise as shown on the hook cover plate.

- (1) Lockout key
- (2) End of thread
- (3) Bobbin holder
- (4) Hook cover plate

2. Hold the bobbin with your fingertip so it does not rotate.

Guide the thread into the front notch of the bobbin holder.

Pull the thread to the left to pass it under the guide.

- (5) Front notch
- (6) Guide

3. Draw the thread to the left to pass it into the guide path marked "1".

Make sure that the thread comes out from the side notch of the bobbin holder.

- (7) Guide path 1
- (8) Side notch

NOTE:

If the thread does not come out from the side notch, rethread from step 1.

4. Continue to draw the thread along the guide path marked "2" and pull the thread to the right through the slit. The thread will be cut to a proper length and held in place.

- (9) Guide path 2
- (10) Slit (Thread cutter)

5. Set the left edge of the hook cover plate into the opening.

Push the hook cover plate down to fit in place.

NOTE:

- Unless otherwise noted, you can start sewing without drawing up the bobbin thread.
- Refer to page 26 for how to draw up the bobbin thread.

Threading the Machine



CAUTION:

Always make sure to press the lockout key to lockout the machine before threading the machine.

Press the needle up/down button to raise the take-up lever to the highest position.

Press the lockout key to lockout the machine.

The presser foot will go down and the upper thread tension disks will open.

(1) Lockout key

Pass the thread in order from 1. to 8.

1. Hold the thread with both hands and pass the thread into the guide slot.

(2) Guide slot

2. Be sure that the thread is pulled down under the notch and into the space below the guide slot as shown.

(3) Notch

3. Hold the thread with both hands and draw the thread around the corner of the guide.

Firmly pull the thread toward you along the right channel until the thread snaps.

(4) Corner of the guide

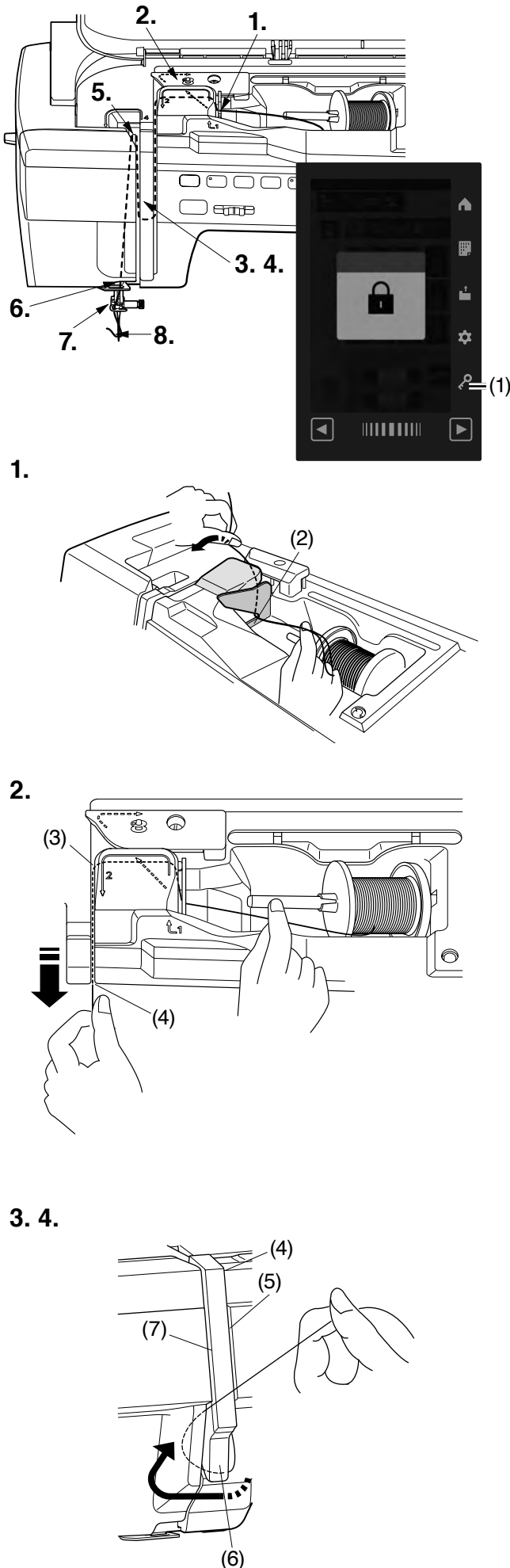
(5) Right channel

4. Draw the thread down along the right channel and around the bottom of the thread guide plate. Pull the thread up along the left channel.

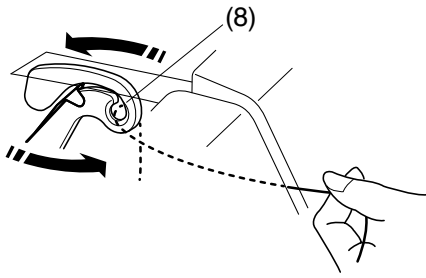
(5) Right channel

(6) Thread guide plate

(7) Left channel



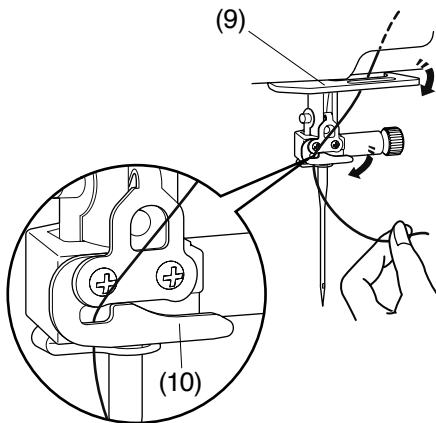
5.



5. While holding the thread at the spool, firmly draw the thread up and to the back of the take-up lever. Draw the thread forward to slip it into the eye of the take-up lever.

(8) Eye of the take-up lever

6. 7.



6. Then pull the thread down along the left channel and through the lower thread guide.

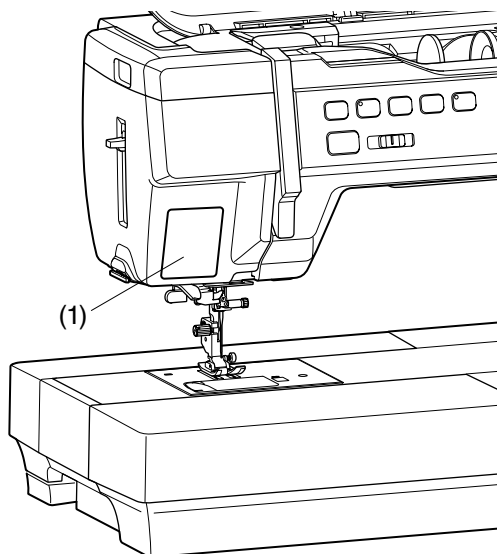
(9) Lower thread guide

7. Slide the thread from the right of the needle bar thread guide to the left.

(10) Needle bar thread guide

8. Thread the needle with the needle threader (refer to the next page).

Example



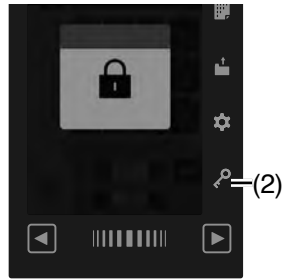
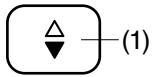
Guide Sticker for Threading

There is a threading guide sticker in the standard accessories. If you wish, you can attach the sticker on the machine to check the threading procedure.

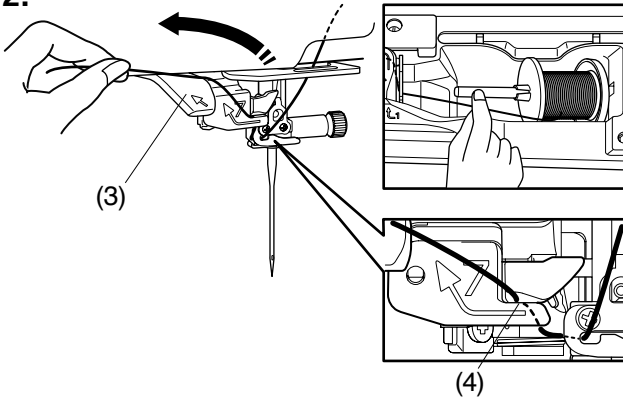
(1) Threading guide sticker

Built-in Needle Threader

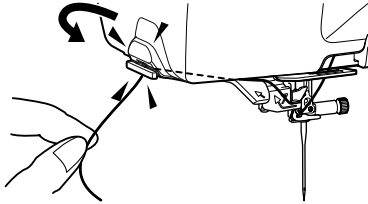
1.



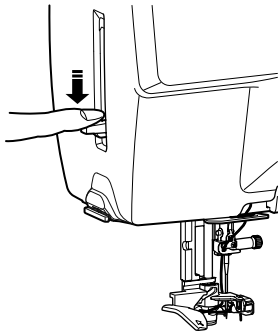
2.



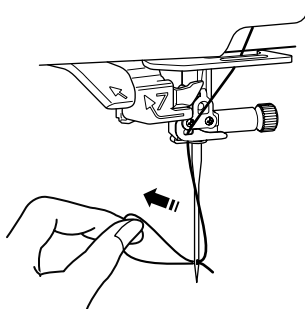
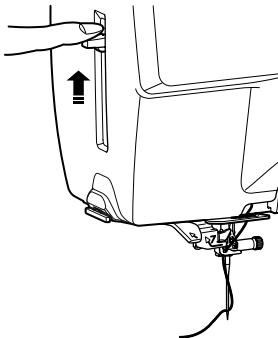
3.



4.



5.



NOTE:

- The needle threader can be used with a #11 to #16 needle.
- Thread size 50 to 90 is recommended.
- Do not use thread size 30 or thicker.
- The needle threader cannot be used with the twin needle.

1. Press the needle up/down button to raise the needle. Press the lockout key to lock the machine.
 - (1) Needle up/down button
 - (2) Lockout key
2. Pull the thread up to the left, over the needle threader guide while holding the thread near the spool with your hand.
 - (3) Needle threader guide

NOTE:

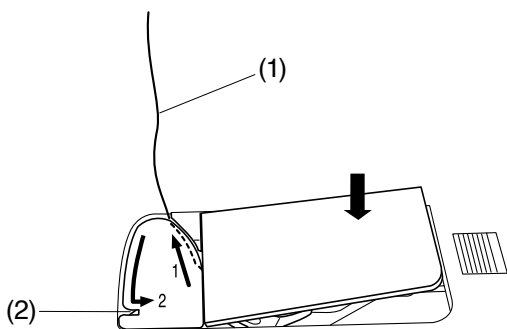
- Be sure that the thread pass the slit of the needle threader as shown.
- (4) Slit

3. Pull the thread up and slip it between the thread cutter and face plate from behind. Pull the thread toward you to cut.
4. Pull down the needle threader lever as far as it will go.
5. Slowly release the needle threader lever to its original position to pass the thread through the needle eye.

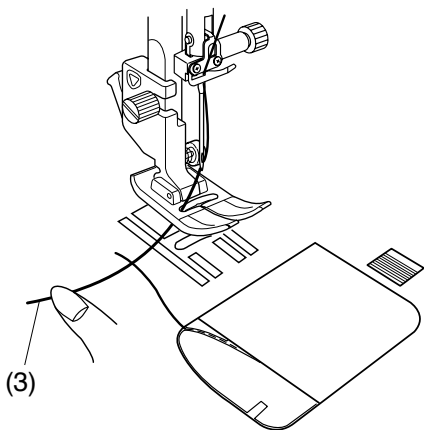
NOTE:

- If the thread loop is formed after releasing the needle threader lever, pull out the thread loop through the needle eye.

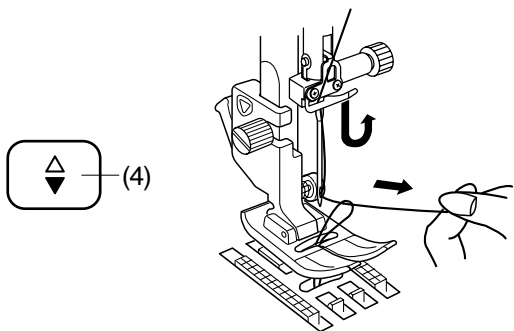
1.



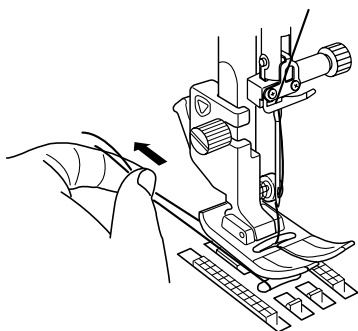
2.



3.



4.



Drawing Up the Bobbin Thread

After using auto thread cutting or threading the bobbin holder, you can start sewing without drawing up the bobbin thread.

However, you need to draw up the bobbin thread when sewing gathering stitches, etc.

1. Remove the bobbin. Insert the bobbin into the bobbin holder again and rethread the bobbin holder according to the instructions on page 22, but leave a 10 cm (4") tail of bobbin thread as shown.
 - (1) Bobbin thread

NOTE:

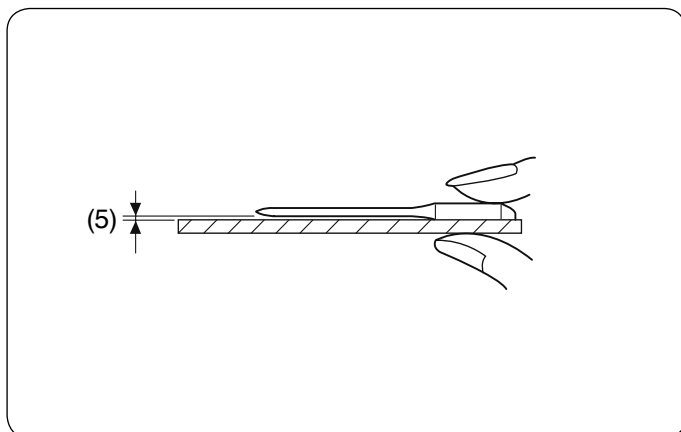
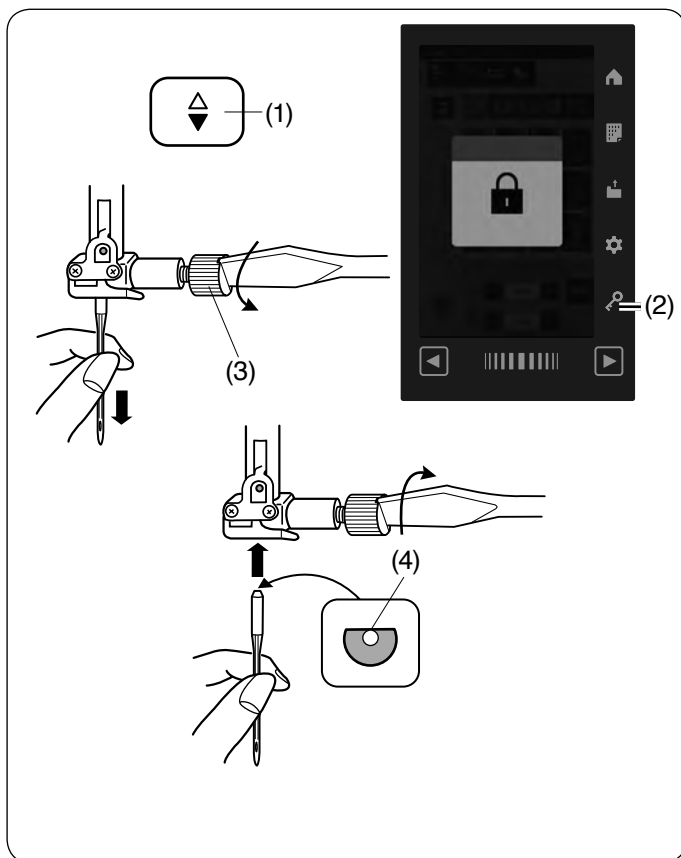
Do not cut the bobbin thread with the thread cutter.

- (2) Thread cutter

2. Raise the presser foot. Hold the needle thread lightly with your left hand.
 - (3) Needle thread

3. Press the needle up/down button twice to lower and raise the needle and pick up the bobbin thread.
 - (4) Needle up/down button

4. Pull both threads 10 cm (4") under and behind the presser foot.



Replacing Needles

⚠ CAUTION:

Always make sure to press the lockout key to lockout the machine before replacing the needle.

Raise the needle by pressing the needle up/down button. Press the lockout key.

- (1) Needle up/down button
- (2) Lockout key

Loosen the needle clamp screw by turning it counterclockwise. Remove the needle from the clamp.

- (3) Needle clamp screw

Insert a new needle into the needle clamp with the flat side of the needle to the rear.

- (4) Flat side

When inserting the needle into the needle clamp, push it up against the stopper pin and tighten the needle clamp screw firmly with a screwdriver.

To check needle straightness, place the flat side of the needle onto something flat (a needle plate, glass, etc.). The gap between the needle and the flat surface should be consistent.

- (5) Gap

Never use a blunt needle.

⚠ CAUTION:

Be sure to tighten the needle clamp screw firmly with a screwdriver when attaching a needle to the machine, otherwise the needle may break or cause malfunction.

Fabric		Thread	Needle
Fine	Lawn	Cotton #80-100 Synthetic #80-100	Blue tip needle Universal needle #9/65-11/75
	Georgette		
	Tricot		
	Organza		
	Crepe		
Medium	Sheeting	Cotton #50-80 Synthetic #50-80	Red tip needle Purple tip needle Universal needle #11/75-14/90
	Jersey		
	Broadcloth		
	Fleece		
Heavy weight	Denim	Cotton #40-50 Synthetic #40-50	Red tip needle Purple tip needle Universal needle #14/90-16/100
	Tweed		
	Coating		
	Quilting		

Fabric and Needle Chart

- For general sewing, use a red needle.
- Fine threads and needles should be used for sewing fine fabrics.
- In general, use the same thread for both needle and bobbin.
- Use a blue tip needle for sewing fine fabrics, stretch fabrics, tricot and buttonholes to prevent skipped stitches.
- Use a purple tip needle for sewing knits, free quilting and across the hem to prevent skipped stitches.
- Use a stabilizer or interfacing for stretch or fine fabrics to prevent seam puckering.
- Always test the thread and needle size on a small piece of the same fabric you will use for actual sewing.

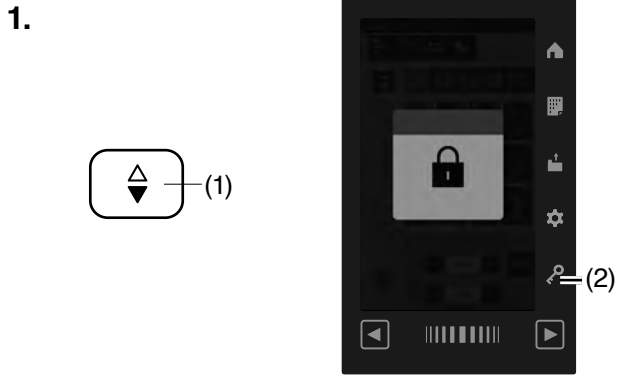
NOTE:

1 x twin needle, 2 x blue tip needle (#11/75), 1 x red tip needle (#14/90) and 1 x purple tip needle (#14/90) are included in the needle case (Part No. 859856005).

Replacing the Presser Foot

CAUTION:

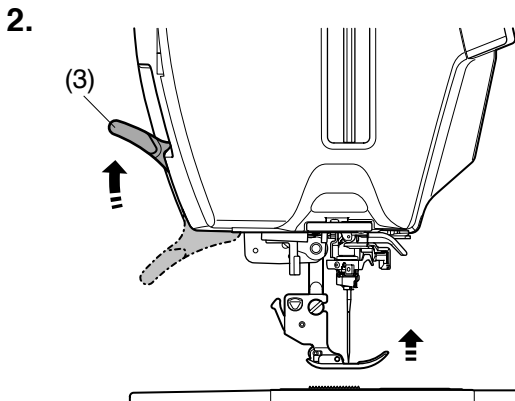
- Always make sure to press the lockout key before replacing the presser foot.
- Use the proper foot for the selected pattern. The wrong foot can cause the needle to break.



1. Raise the needle by pressing the needle up/down button.

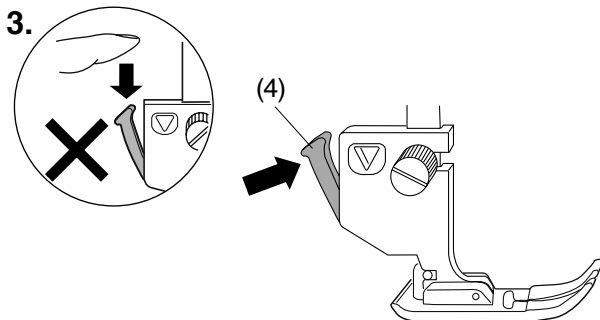
Press the lockout key.

- (1) Needle up/down button
- (2) Lockout key



2. Raise the presser foot lifter.

- (3) Presser foot lifter

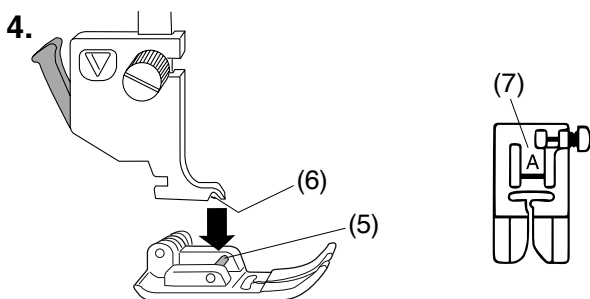


3. Press the black lever on the back of the foot holder. The presser foot will drop off.

- (4) Lever

CAUTION:

To avoid damaging the lever, do not push it down.



4. Place the presser foot so that the pin on the foot lies just under the groove of the foot holder.

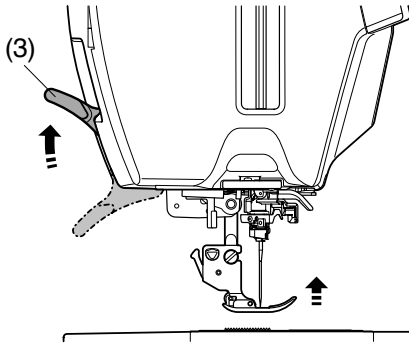
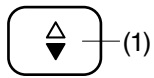
Lower the presser foot lifter to lock the foot in place.

- (5) Pin
- (6) Groove

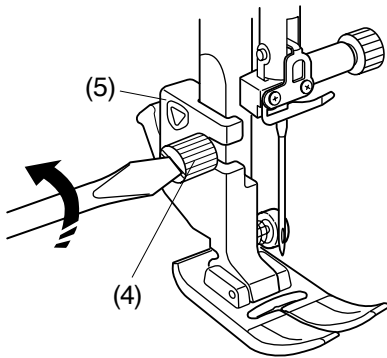
Each foot is marked with an identification letter.

- (7) Identification letter

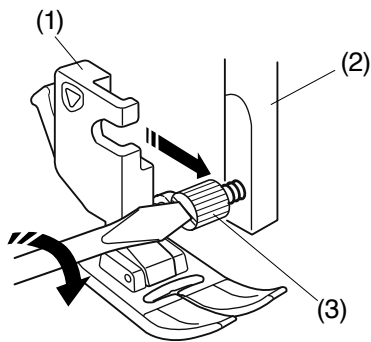
1.



2.



1. 2.



Removing and Attaching the Foot Holder

Remove the foot holder before using professional grade foot HP, ruler work foot QR, darning foot PD-H, dual feed foot AD or A.S.R. (Accurate Stitch Regulator).

CAUTION:

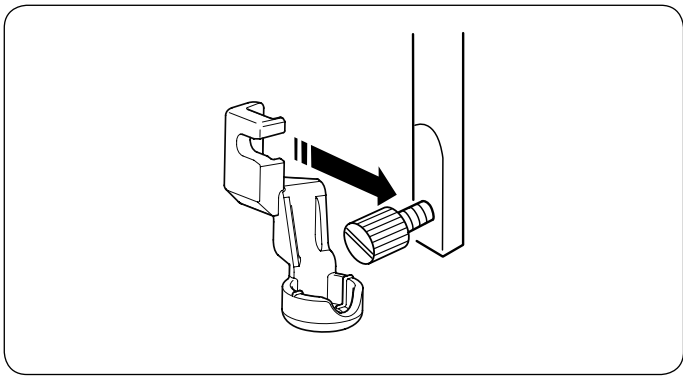
Always make sure to press the lockout key to lockout the machine before replacing the foot holder.

Removing the foot holder

1. Raise the needle by pressing the needle up/down button.
Press the lockout key and raise the presser foot with the presser foot lifter.
 - (1) Needle up/down button
 - (2) Lockout key
 - (3) Presser foot lifter
2. Loosen the thumbscrew and remove the foot holder.
 - (4) Thumbscrew
 - (5) Foot holder

Attaching the foot holder

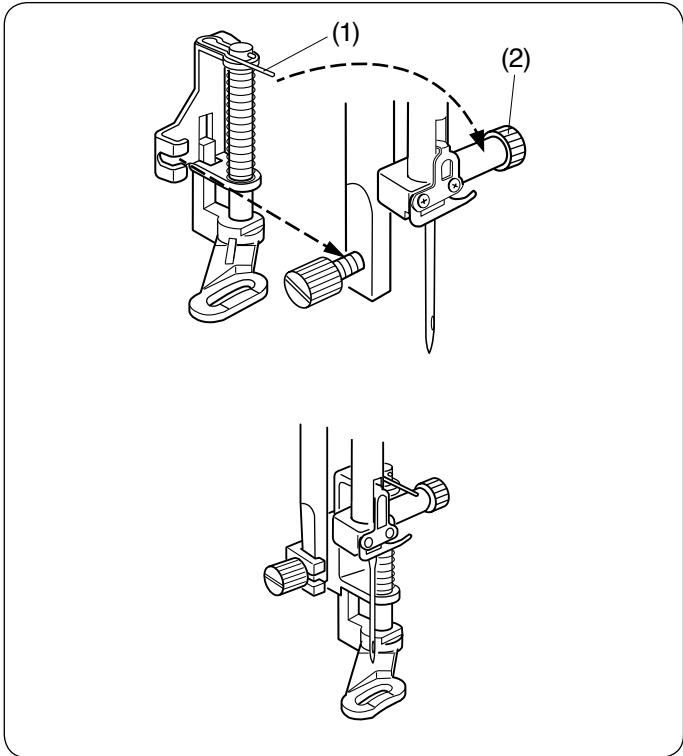
1. Attach the foot holder to the presser bar from the rear.
Lower the presser foot with the presser foot lifter.
 - (1) Foot holder
 - (2) Presser bar
2. Tighten the thumbscrew securely with the screwdriver.
 - (3) Thumbscrew



Attaching Ruler Work Foot QR

Attach Ruler work foot QR to the presser bar from behind.

Tighten the thumbscrew firmly with the screwdriver.

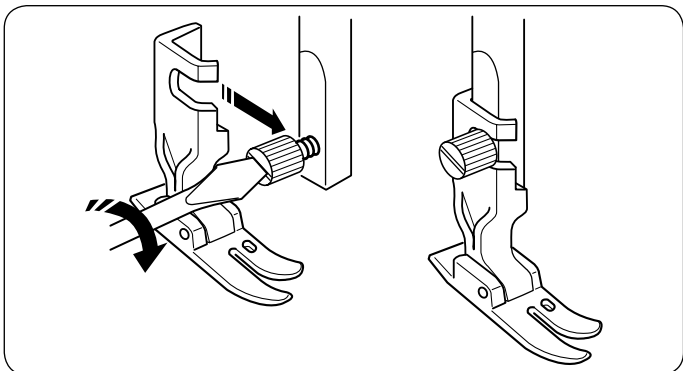


Attaching Darning Foot PD-H

Attach darning foot PD-H or darning foot PD-H (open-toe) to the presser bar by putting the pin on the needle clamp screw.

- (1) Pin
- (2) Needle clamp screw

Tighten the thumbscrew firmly with the screwdriver.

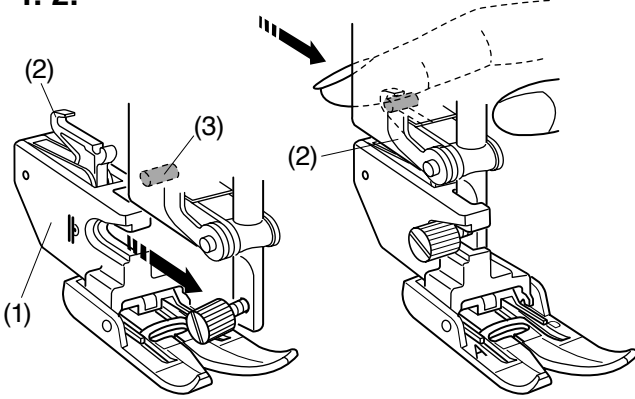


Attaching Professional Grade Foot HP

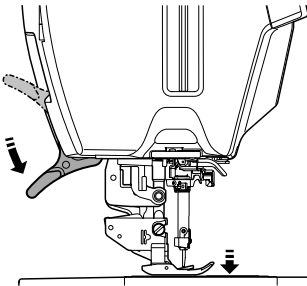
Attach professional grade foot HP to the presser bar. Lower the presser foot with the presser foot lifter.

Tighten the thumbscrew firmly with the screwdriver.

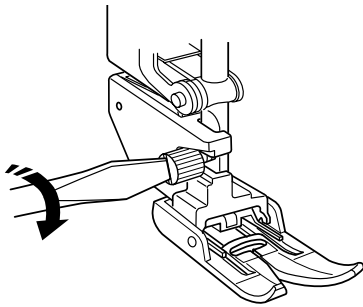
1. 2.



3.



4.



Attaching Dual Feed Foot AD or Dual Feed Plus Professional Foot HP2

1. Attach the dual feed holder to the presser bar from behind.
 - (1) Dual feed holder
2. Tighten the thumbscrew with your fingers.
Push the dual feed link to engage it with upper feed drive.
 - (2) Dual feed link
 - (3) Upper feed drive

3. Lower the presser foot lifter.
Lower the needle to the lowest position by turning the handwheel.

4. Tighten the thumbscrew securely with the screwdriver.

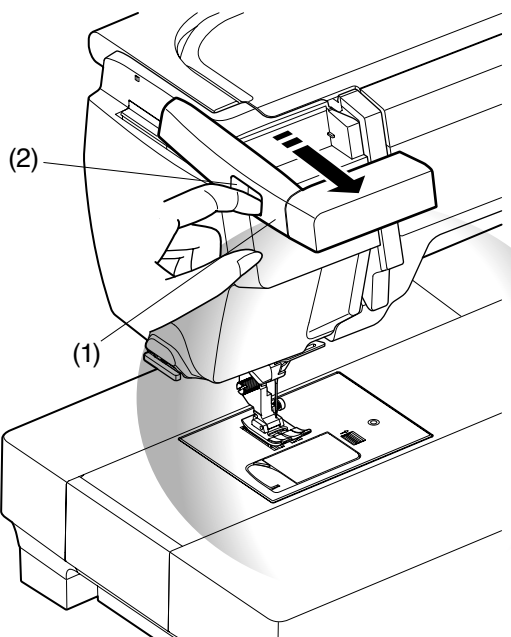
Retractable Sewing Light

In addition to the twin LED lights, the machine is equipped with a retractable sewing light.

Place your finger in the groove and slide the arm towards you. The light will turn on automatically.

- (1) Arm
- (2) Groove

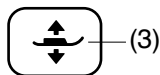
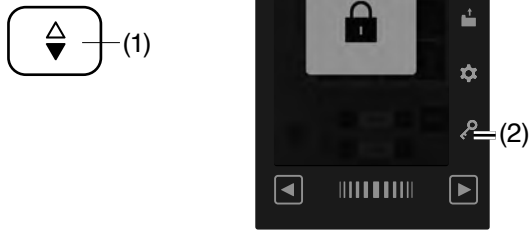
Push back the arm to turn the light off and store it.



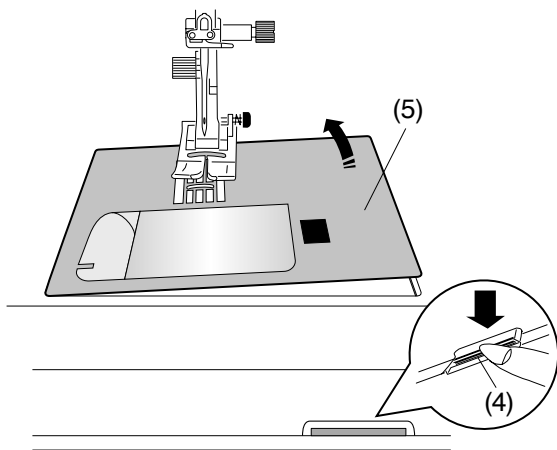
⚠ CAUTION:

Do not hit or exert excessive force on the arm of the retractable sewing light as this may cause damage when it is extended.

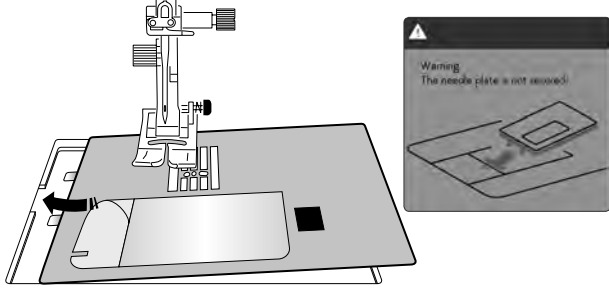
1.



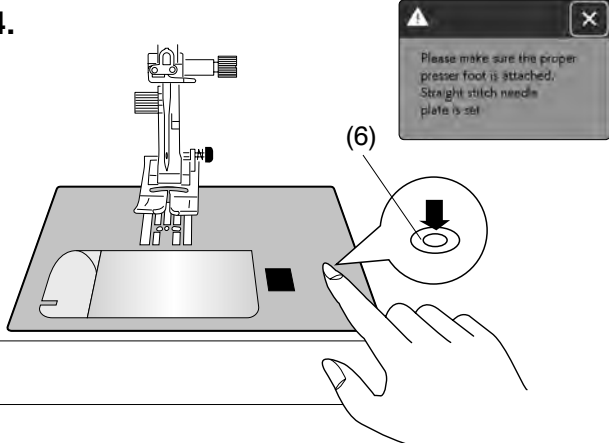
2.



3.



4.



Replacing the Needle Plate

Use the straight stitch needle plate when using the dual feed foot, quilt piecing or free motion. Use the professional grade needle plate HP when using the professional grade foot HP.

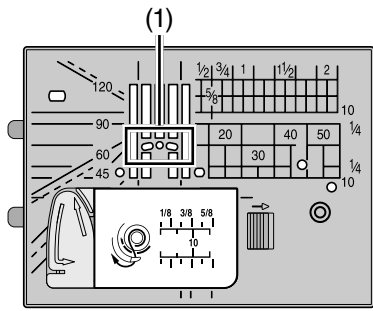
CAUTION:

- Always make sure to press the lockout key to lockout the machine before replacing the needle plate.
- Never press the needle plate release lever while running the machine.

NOTE:

When the straight stitch needle plate or professional grade needle plate HP is attached to the machine, the patterns not suitable for the straight stitch needle plate or the professional grade needle plate HP cannot be selected.

1. Press the needle up/down button to raise the needle. Press the lockout key. Press the presser foot lifter button to raise the presser foot.
 - (1) Needle up/down button
 - (2) Lockout key
 - (3) Presser foot lifter button
2. Slide the extension table to the left to remove it. Push down the needle plate release lever and the needle plate will snap off.
 - (4) Needle plate release lever
 - (5) Needle plate
3. A warning message will appear that the needle plate is not secured. Remove the needle plate to the right. Place the straight stitch needle plate or professional grade needle plate HP on the machine. Set the left edge of the needle plate into the opening.
4. Push down on the mark of the needle plate until it locks in place. Make sure the warning message disappears and the straight stitch is automatically selected. Turn the handwheel slowly and make sure that the needle does not hit the needle plate. Press the lockout key to unlock the machine.
 - (6) Mark



Using the Straight Stitch Needle Plate

The straight stitch needle plate has three holes where the needle enters. The straight stitch needle plate is helpful to hold and support the fabric when the needle pierces the fabric. Use the straight stitch needle plate for better results.

- (1) Three holes

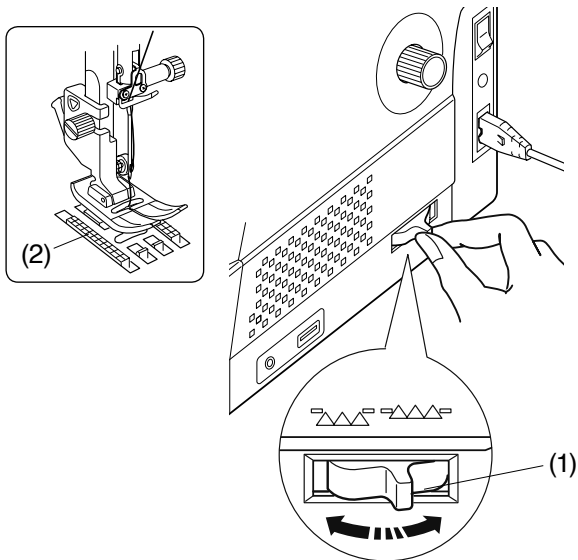
It is recommended to use straight stitch needle plate to select patterns U1 to U3 when sewing straight stitches.

Refer to page 32 for how to attach the straight stitch needle plate.



NOTE:

The patterns not suitable for the straight stitch needle plate are grayed out.



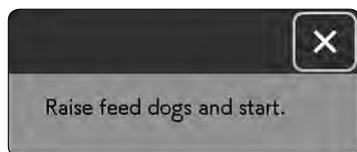
Dropping the Feed Dogs

The feed dogs can be lowered for sewing on buttons, free motion quilting, etc.

Shift the drop feed lever toward you to lower the feed dogs.

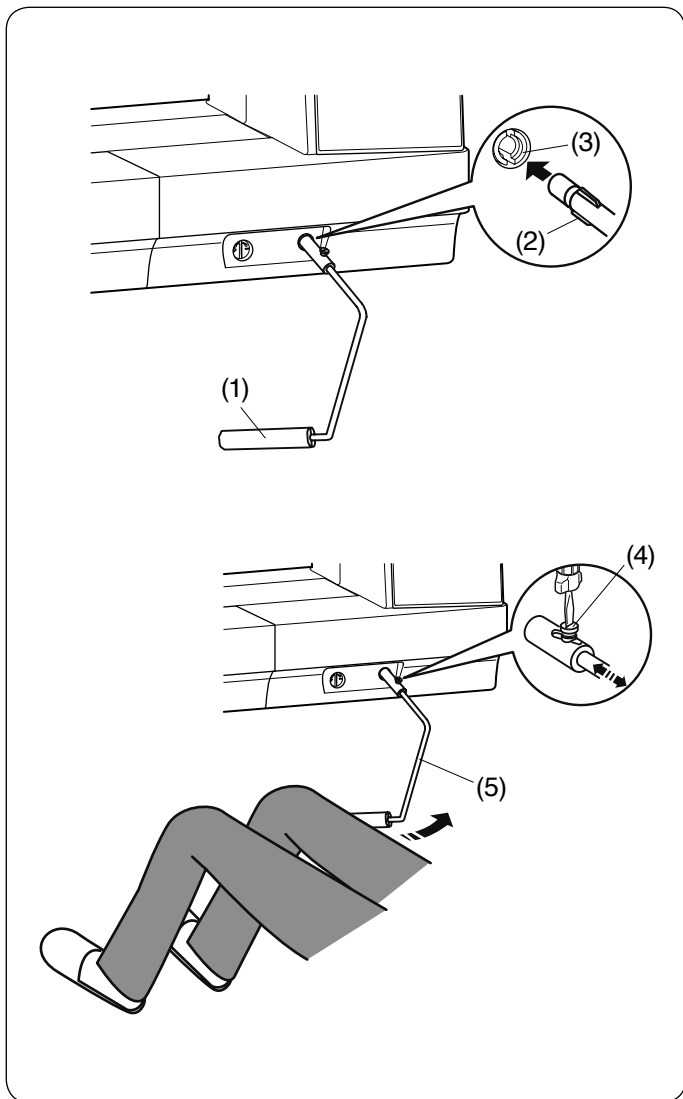
- (1) Drop feed lever
- (2) Feed dogs

Shift the drop feed lever away from you to raise the feed dogs, it will return to the up position when you start the machine.



NOTE:

If you start the machine with the feed dogs lowered, a message will appear on the visual touch screen.



Knee Lifter

The knee lifter is extremely helpful when sewing patchwork, quilting, etc. since it allows you to handle the fabric while your knee controls the presser foot.

Attaching the knee lifter

Match the ribs on the knee lifter with the notches in the knee lifter socket and insert the knee lifter.

- (1) Knee lifter
- (2) Rib
- (3) Knee lifter socket

Adjusting the knee lifter

The angle of the knee lifter can be adjusted to fit the user. Loosen the setscrew and slide the angle bar in or out to adjust the angle of the knee lifter.

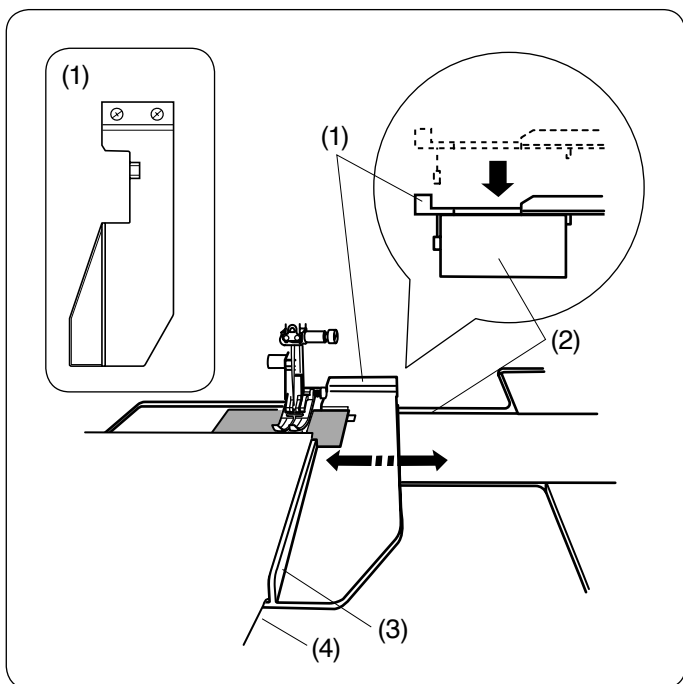
Tighten the setscrew to secure the angle bar.

- (4) Setscrew
- (5) Angle bar

Using the knee lifter

Push the knee lifter with your knee to easily move the presser foot up and down.

You can control how high the foot rises by the amount of knee pressure you exert.



Using the Cloth Guide

Remove the extension table and attach the extra wide table (refer to page 9).

Attach the cloth guide to the free-arm by pushing the cloth guide down to snap it in place.

Slide the cloth guide to the desired position.

Place the fabric with its edge against the guide and sew.

- (1) Cloth guide
- (2) Free-arm
- (3) Guide
- (4) Edge

ORDINARY SEWING MODE

Ordinary Stitch Patterns

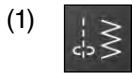
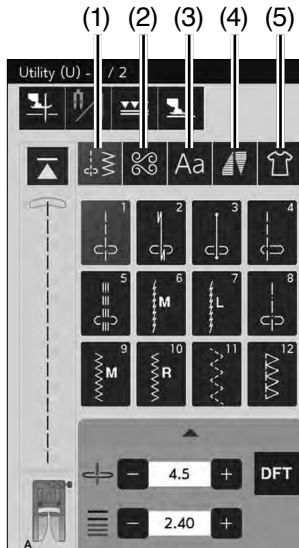
In the ordinary sewing mode, there are 5 categories available.

- (1) Utility stitches and buttonholes
- (2) Decorative and quilting stitches
- (3) Monogramming
- (4) Tapering
- (5) Sewing applications

Press one of the keys to select the category.

NOTE:

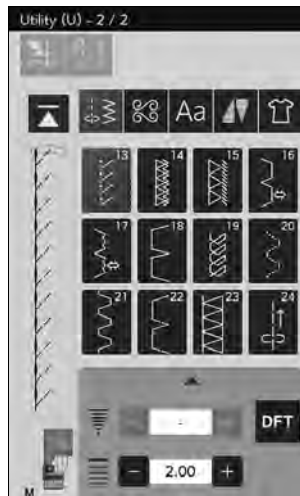
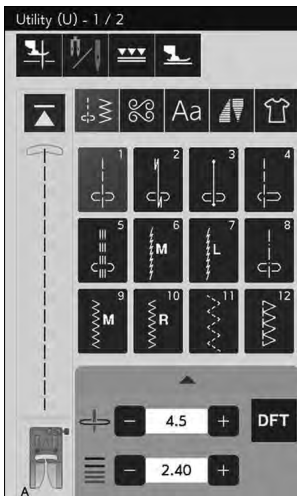
In this manual, the pattern number refers to the initial letter for each group or category. For example, pattern #15 in the buttonholes and specialty stitches is referred to as pattern B15.



(1) Utility stitches and buttonholes

Utility (U)

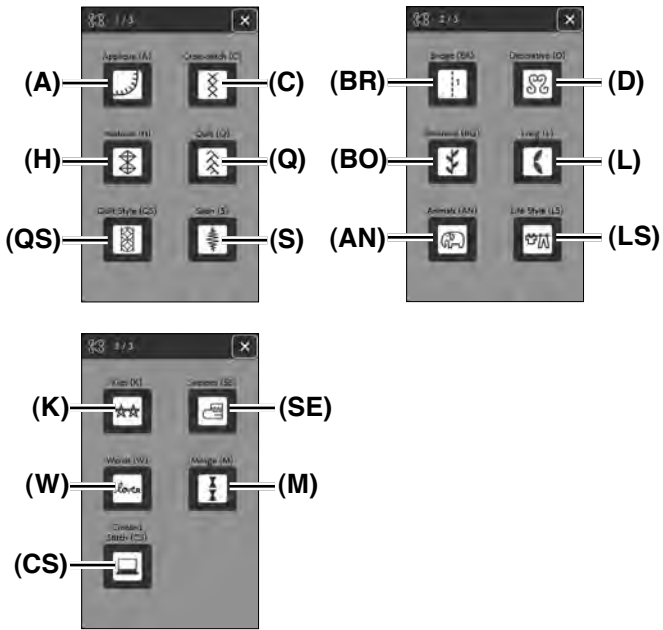
You can select utility stitches for seaming, overcasting, blind hemming, basting and shell tucking.



Buttonhole (B)

There are various styles of buttonholes, button sewing, darning, tacking, fly stitches and eyelets available in this category.


(2) 



(2) Decorative and quilting stitches

This category consists of the following 17 groups.

- Applique (A)
- Cross-stitch (C)
- Heirloom (H)
- Quilt (Q)
- Quilt Style (QS)
- Satin (S)
- Bridge (BR)
- Decorative (D)
- Botanical (BO)
- Long (L)
- Animals (AN)
- Life Style (LS)
- Kids (K)
- Seasons (SE)
- Words (W)
- Mirage (M)
- Created Stitch (CS)

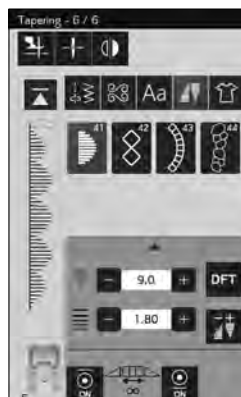
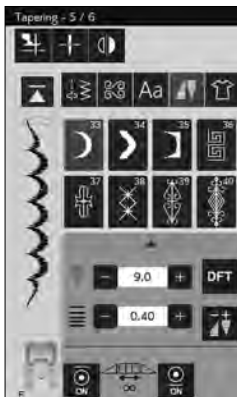
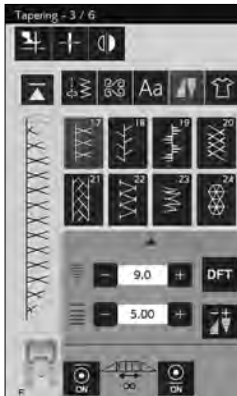
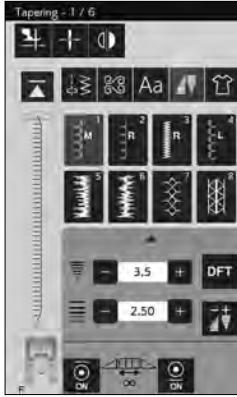
(3) 



(3) Monogramming

You can program lettering as well as a combination of characters and symbol patterns (refer to pages 97-99).

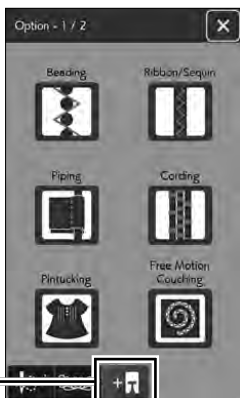
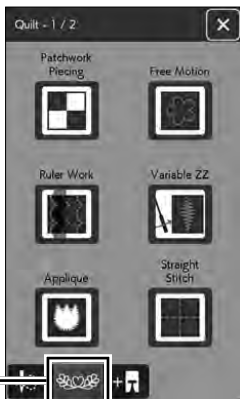
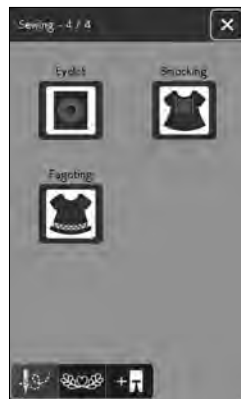
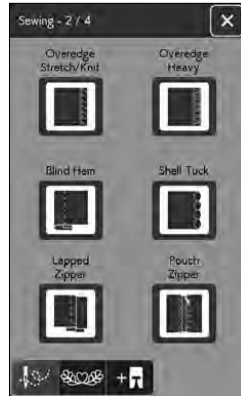
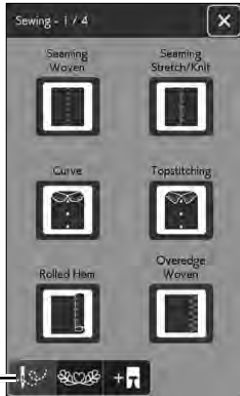
(4)



(4) Tapering

You can taper the beginning and end of the decorative stitch patterns to create tapered corners and points (refer to pages 90-96).

(5)

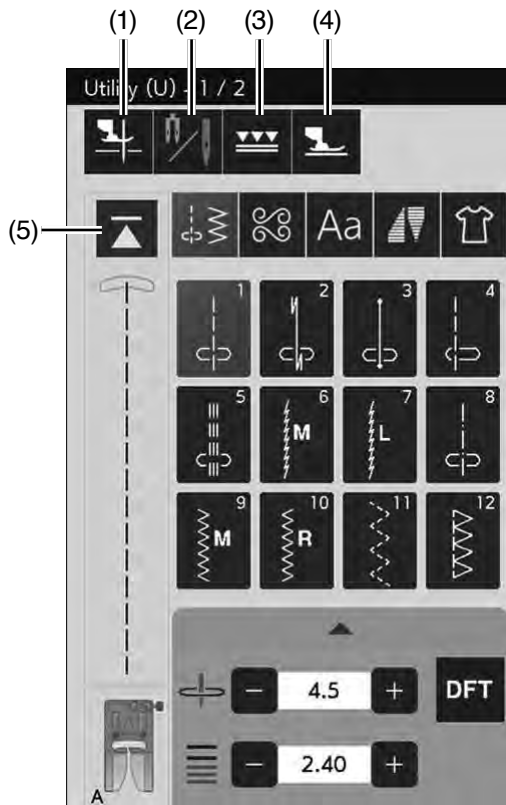


(5) Sewing applications

You can select the appropriate stitch for a specific sewing project and fabric type from the designated application in this category (refer to pages 103-137).

Press one of the key to select the category.

- (6) Sewing key
- (7) Quilt key
- (8) Optional foot key



Function Keys

(1) Foot-up key

If this option is turned on, the needle stops at the down position and the presser foot will automatically go up when the machine stops.

Press this key to turn this option on or off (refer to page 52).

(2) Twin needle key

Press this key to set the stitch width for twin needle sewing (refer to pages 82-83).

(3) Dual feed key

Press this key for dual feed sewing (refer to pages 43-44).

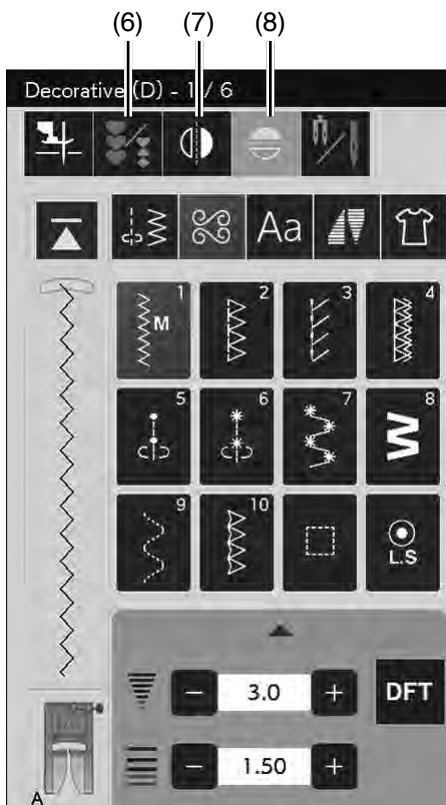
(4) Floating mode key

Press this key for floating mode (refer to page 46).

(5) Startover key

If you stop sewing in the middle of a stitch pattern and wish to sew the pattern again from the beginning, press this key before you start sewing.

Press this key once to startover from the beginning of the current pattern, or press this key twice to startover from the beginning of the first pattern of the combination (refer to page 87).



(6) Program key

Press this key to program a pattern combination.

When this key is pressed, the mirror image keys, delete key, preview key, letter size key, save file key and cursor keys will appear (refer to pages 84-89).

(7) Vertical mirror image key

Press this key to sew a vertical mirror image of the selected pattern (refer to page 84).

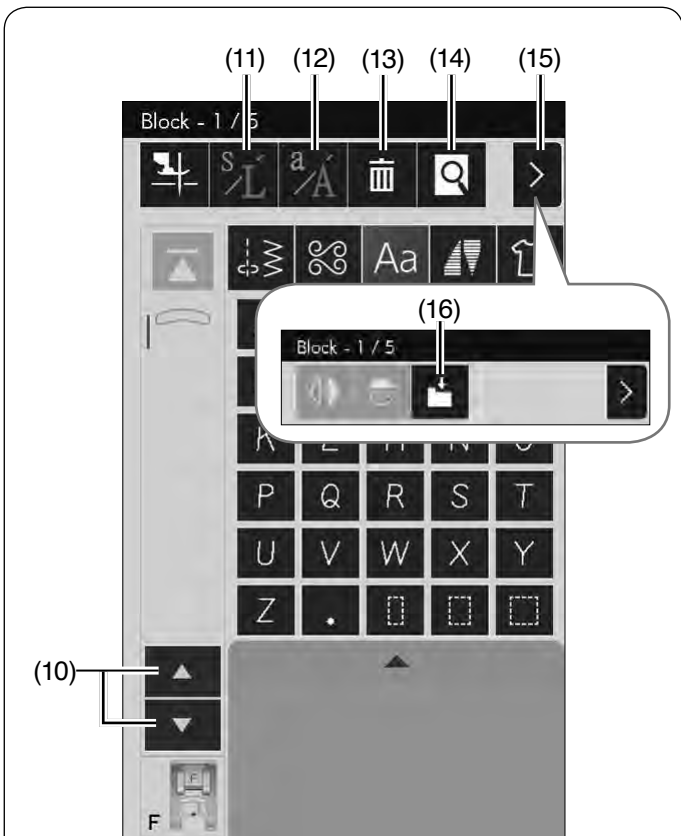
(8) Horizontal mirror image key

Press this key to sew a horizontal mirror image of the selected pattern. The key is grayed out if the selected pattern cannot be turned over (refer to page 84).



(9) Initial lock stitch key

Press this key to turn on or off the initial lock stitch.



(10) Cursor keys

Press one of the cursor keys to move the cursor up or down.

(11) Letter size key

Press this key to select full size (L) or small size (S).

(12) Letter case key

Press this key to select upper case or lower case for monograms.

(13) Delete key

Press this key to delete a pattern from the pattern combination.

(14) Preview key

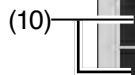
Press this key to view the stitch image of the entire pattern combination.

(15) Function switch key

Press this key to switch the function keys.

(16) Save file key

Press this key to save the pattern combination as a file.

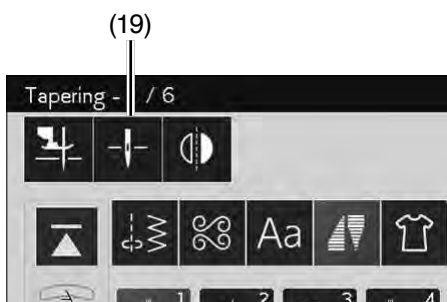


(17) Hiragana/Katakana key

Press this key to switch Hiragana or Katakana for monograms.

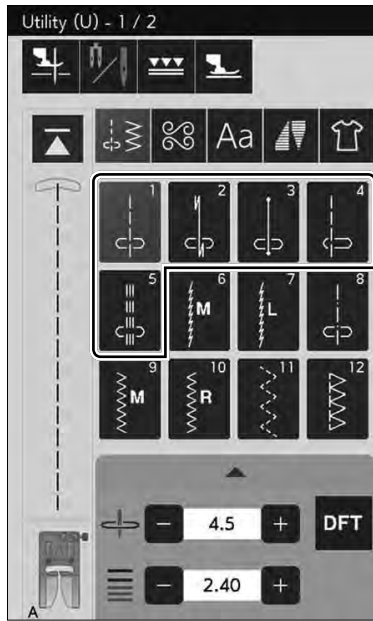
(18) Horizontal/Vertical orientation key

Press this key to switch the horizontal or vertical orientation.



(19) Needle stop position key

You can select the needle stop position to be either up or down by pressing the needle stop position key.



Utility Stitches

Straight Stitches

Patterns U1 to U5 are straight stitches for seaming. Press the pattern selection key for the desired stitch.

Starting to sew

Place the fabric next to the seam guide line on the needle plate. Lower the needle to the point where you want to start.

Pull the needle thread towards the rear and lower the foot.

NOTE:

Pull the needle thread to the left when using satin stitch foot F, open-toe satin stitch foot F2, dual feed foot or automatic buttonhole foot R.

Press the start/stop button or foot control to start sewing. Gently guide the fabric along the seam guide line letting the fabric go naturally.

- (1) Start/stop button

Sewing from the Edge of Thick Fabric

The black button on the zigzag foot A locks the foot in the horizontal position.

This is helpful when you start sewing at the extreme edge of thick fabrics or for sewing across a hem.

Lower the needle into the fabric at the point where you wish to start sewing.

Lower the foot while pushing in the black button. The foot is locked in the horizontal position to avoid slipping.

After a few stitches, the black button is released automatically.

- (2) Black button

Changing Sewing Direction

Stop the machine and press the presser foot lifter button to raise the presser foot.

Pivot the fabric around the needle to change the sewing direction as desired.

Start sewing in the new direction.

NOTE:

If you turn on the foot up option, the presser foot will automatically go up when the machine stops (refer to page 52).

Turning a Square Corner

To maintain a 5/8" seam allowance after turning a square corner, use the cornering guide on the needle plate.

Stop sewing when the front edge of fabric reaches the cornering guide lines.

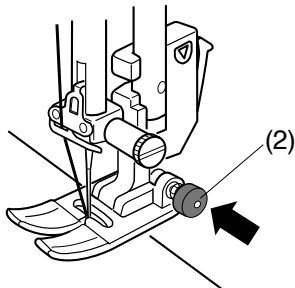
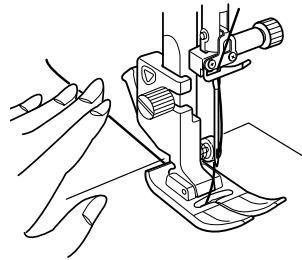
Press the presser foot lifter button and turn the fabric 90 degrees.

Start sewing in the new direction.

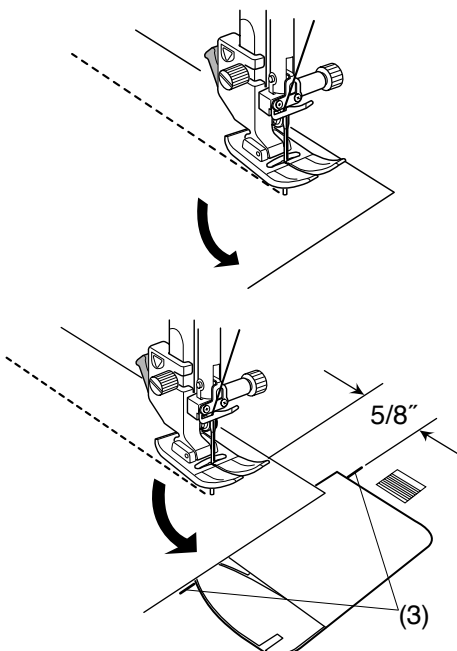
- (3) Cornering guide



(1)

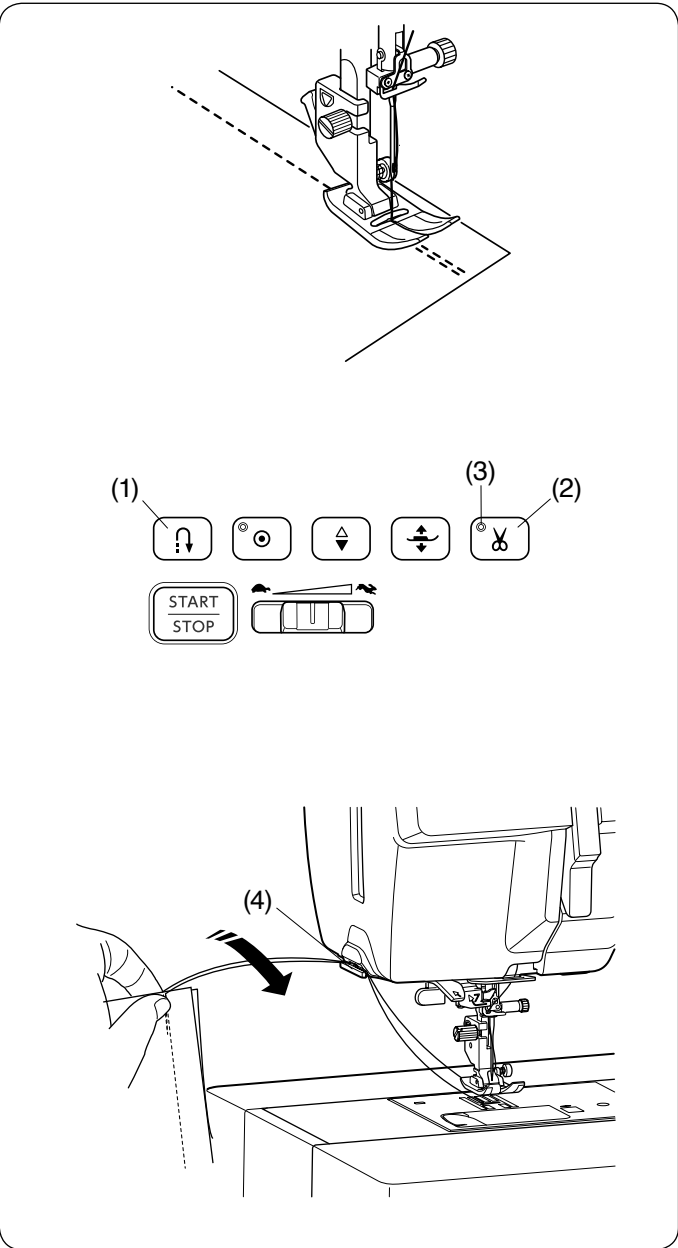


(2)



5/8"

(3)



Securing Seams

For fastening the ends of seams, press the reverse button and sew several reverse stitches.

The machine sews in reverse as long as you press and hold the reverse button.

(1) Reverse button

Press the reverse button once when sewing the lock-a-matic stitch (pattern U2) or locking stitch (pattern U3) and the machine will lock the stitches off and stop automatically.

Cutting Threads

To cut the threads after finishing sewing, press the thread cutter button. The needle bar and presser foot will automatically go up after trimming the threads.

(2) Thread cutter button

NOTE:

- The thread cutter button does not function when the LED signal is turned off or the presser foot is raised with the presser foot lifter.
- Use the thread cutter on the face plate to cut specialized, #30 or thicker threads if the auto thread cutter does not work well.

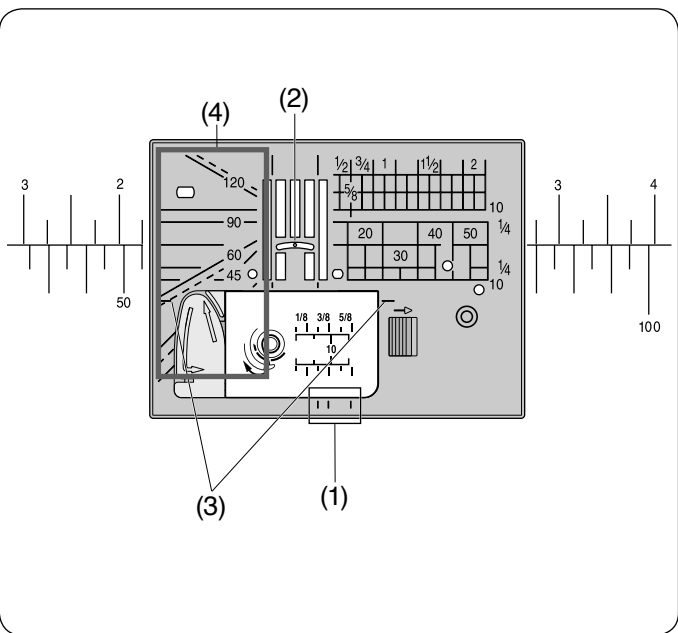
(3) LED signal

To use the thread cutter on the face plate, remove the fabric and draw it to the back.

Pull the threads up and slip them between the thread cutter and face plate from behind.

Pull the threads toward you to cut.

(4) Thread cutter



Needle Plate Guides

The seam guides are marked on the needle plate, free-arm and hook cover plate.

The seam guides for 1/4", 3/8" and 5/8" are also marked on the front of the needle plate.

(1) Seam guides on the front of the needle plate

The numbers on the needle plate indicate the distance from the center needle position in millimeters and inches.

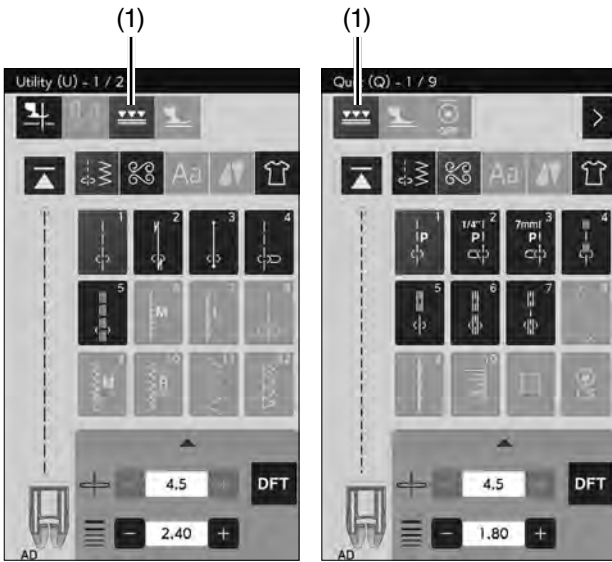
(2) Center needle position

The cornering guides are very useful when turning a square corner (refer to page 41).

(3) Cornering guide

The angle scales on the needle plate are useful for patchwork piecing (refer to page 78).

(4) Angle scales



Sewing with the Dual Feed Device

Patterns U1 to U5 and Q1 to Q7 can be sewn with the dual feed device.

The dual feed device is extremely effective when sewing hard to feed materials such as PVC coated fabric or leather.

It also eliminates layer slippage.

Refer to page 31 for how to attach the dual feed foot and to engage the dual feed device.

Press the dual feed key and select the desired pattern.

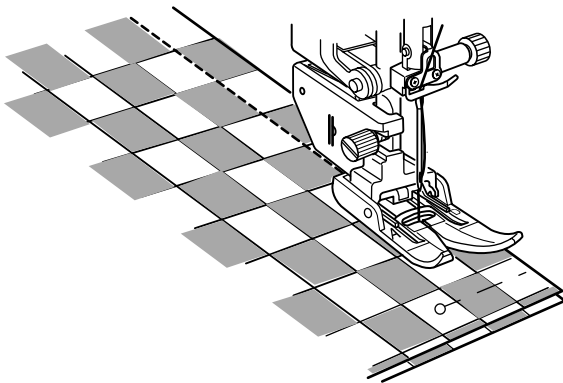
- (1) Dual feed key

NOTE:

- The patterns not suitable for dual feed sewing are grayed out.
- The dual feed key will gray out or not be indicated if you selected a pattern not suitable for dual feed sewing.

NOTE:

Dual feed quilting piecing foot 1/4" OD appears on the visual touch screen when patterns Q2 or Q3 is selected. Dual feed quilting piecing foot 1/4" OD is an optional item.



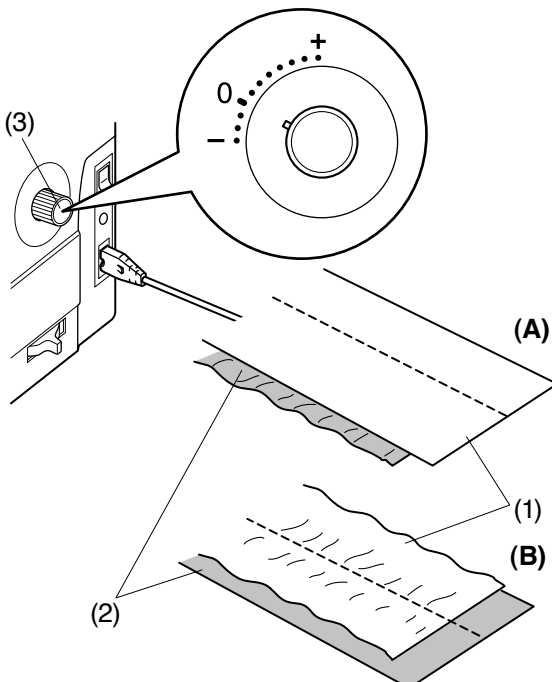
Place the fabric under the foot and lower the needle at the point where you wish to start.

Lower the presser foot.

Start sewing at medium speed.

When seaming plaid fabrics, match the plaids of the upper and lower layers and pin them together.

Remove the pins as you sew.



Dual feed balancing dial

The dual feed balancing dial should be set at "0", however you may need to adjust the dual feed balance depending on the type of fabric.

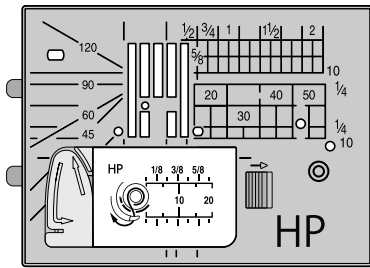
Check the feed balance by test sewing on an extra piece of the fabric you intend to use.

- (A) : If the lower layer puckers, turn the dual feed balancing dial toward "+".
- (B) : If the upper layer puckers, turn the dual feed balancing dial toward "-".
- (1) Upper layer
 (2) Lower layer
 (3) Dual feed balancing dial

NOTE:

When dual feed feet are not used, return the dual feed balancing dial to the "0" position.

(1)



Dual Feed Plus Professional Foot HP2

This foot provides superior visibility and is great for curves and precise topstitching. Holds fabrics firmly in sync with the feed dogs to achieve professional results.

Replace the needle plate with the professional grade needle plate HP when using dual feed plus professional foot HP2. Refer to page 32 for how to attach the professional grade needle plate HP.

(1) Professional grade needle plate HP

Refer to page 31 for how to attach dual feed plus professional foot HP2 and to engage the dual feed device.

Press the dual feed key and select the desired pattern.

(2) Dual feed key

(2)

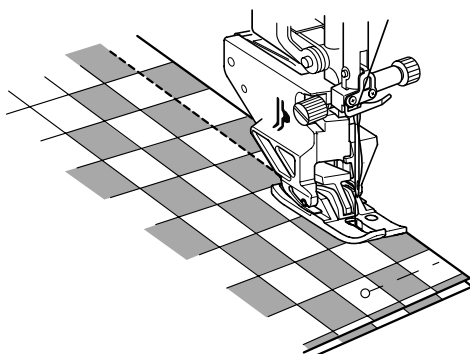


(2)



NOTE:

The patterns not suitable for dual feed sewing will not be displayed.

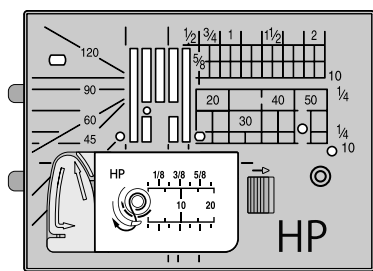


Place the fabric under the foot and lower the needle at the point where you wish to start.

Lower the presser foot.

Start sewing at medium speed (refer to page 43).

(1)



Sewing with Professional Grade Foot HP

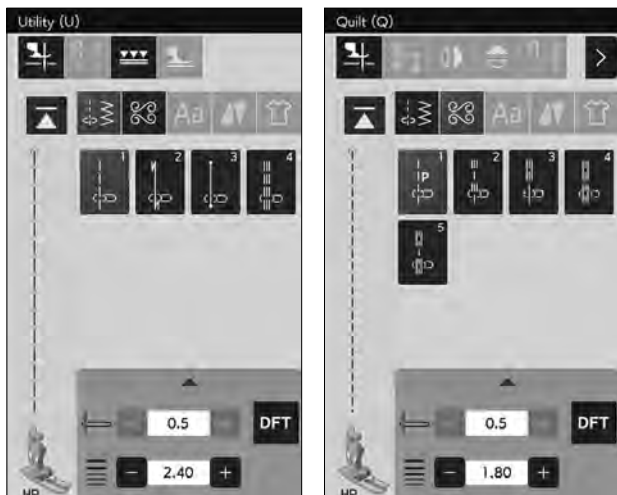
Use the professional grade foot HP for straight stitch to provide professional results.

Replace the needle plate with the professional grade needle plate HP when using the professional grade foot HP. Refer to page 32 for how to attach the professional grade needle plate HP.

(1) Professional grade needle plate HP

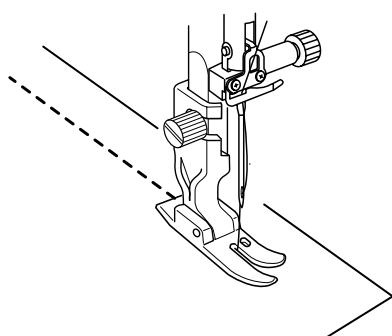
Refer to page 30 for how to attach the professional grade foot HP.

Attach the professional grade needle plate HP and professional grade foot HP and select the desired pattern.



NOTE:

The patterns not suitable for the professional grade needle plate HP will not be displayed.

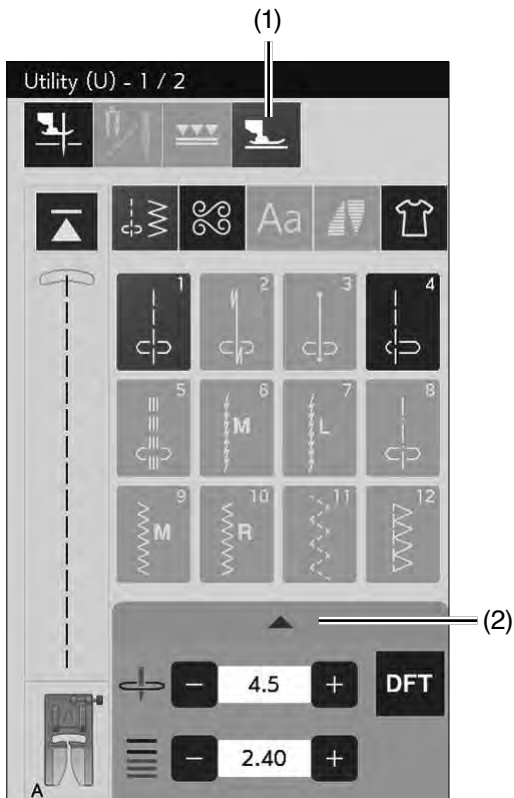


Place the fabric under the foot and lower the needle at the point where you wish to start.

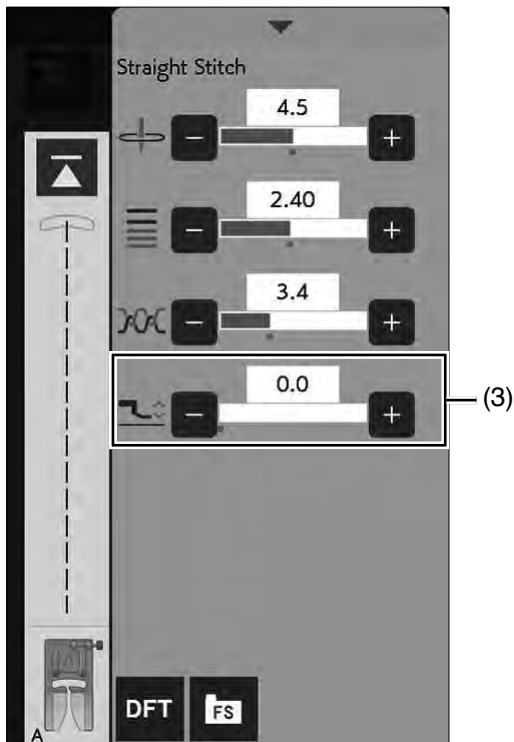
Lower the presser foot.

Start sewing.

1. 2.



3.



Floating Mode

You can decrease layer slippage and wrinkles by lifting the presser foot slightly in the floating mode.

1. Press the floating mode key.
(1) Floating mode key

NOTE:

Patterns not suitable for floating mode are grayed out.

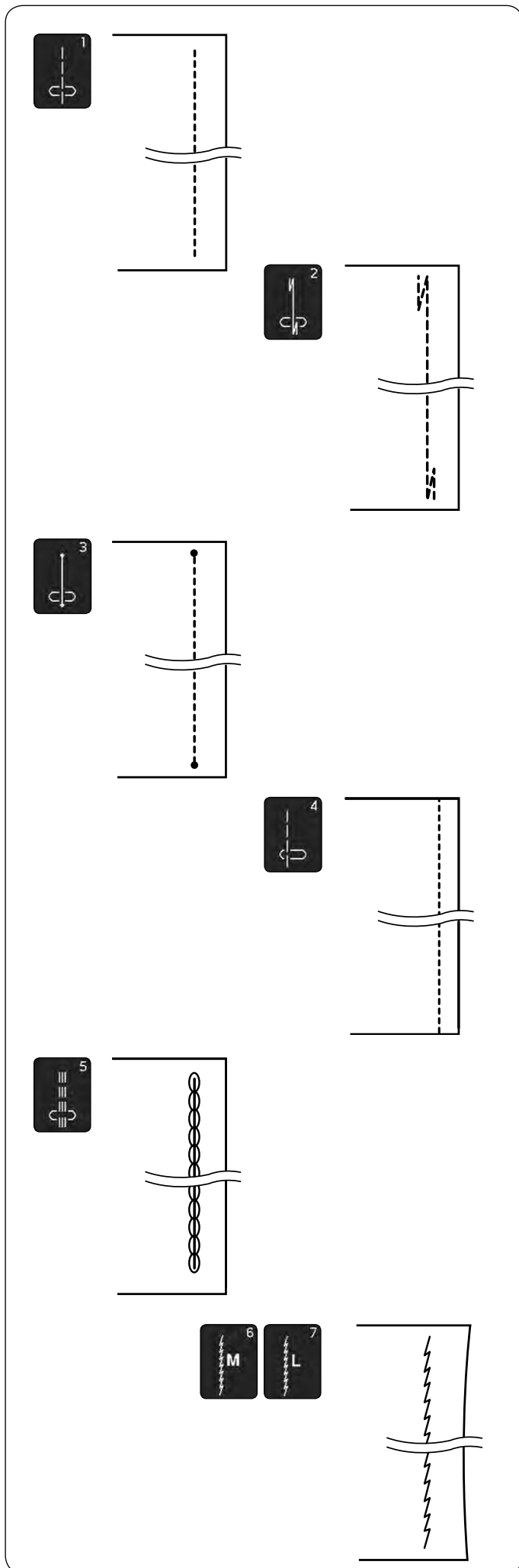
2. Press the setting bar to expand the manual setting window.
(2) Setting bar

3. Press "+" or "-" to adjust the presser foot height.
(3) Presser foot height adjustment key

Press "+" to increase the presser foot height.
Press "-" to decrease the presser foot height.

NOTE:

- When using the floating mode, always adjust the presser foot height and conduct a test sew on an extra piece of the fabric before actual sewing.
- Using the dual feed foot is recommended to decrease layer slippage when the floating mode does not work.



Variety of Straight Stitches

U1 Straight stitch in center needle position

Use this stitch for seaming, rolled hemming, etc.

U2 Lock-a-matic stitch

Use this stitch to secure the beginning and the end of a seam with backstitching.

When you reach the end of the seam, press the reverse button once.

The machine will sew four reverse stitches, four forward stitches, and then stop sewing automatically.

U3 Locking stitch

This unique stitch is used where an invisible locking stitch is needed.

The machine will sew several locking stitches at the beginning and continue sewing forward.

When you press the reverse button at the end of the seam, the machine will sew several locking stitches in place, then stop sewing automatically.

U4 Straight stitch in left needle position

Use this stitch to seam fabrics close to the edge.

U5 Triple stretch stitch

This strong, durable stitch is recommended for areas where both elasticity and strength are needed to ensure comfort and durability.

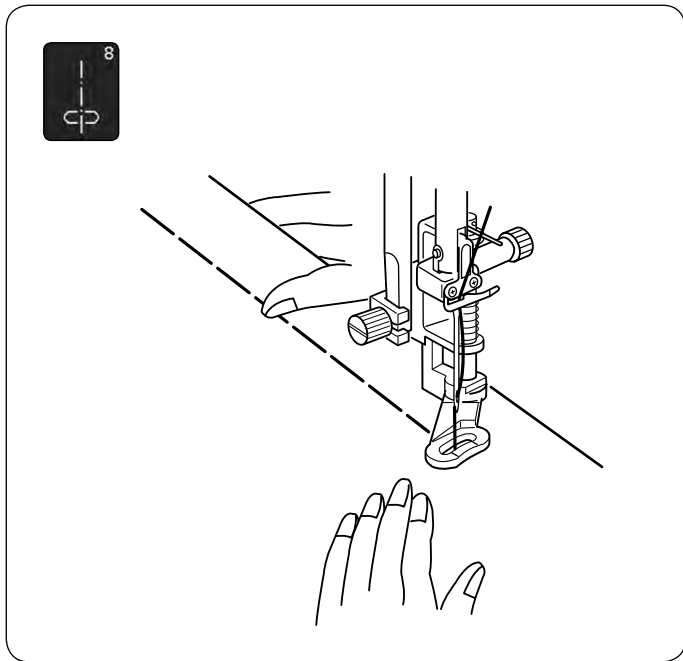
Use it to reinforce areas such as crotch and armhole seams.

Also use it when constructing items such as backpacks for extra strength.

U6, U7 Stretch stitches

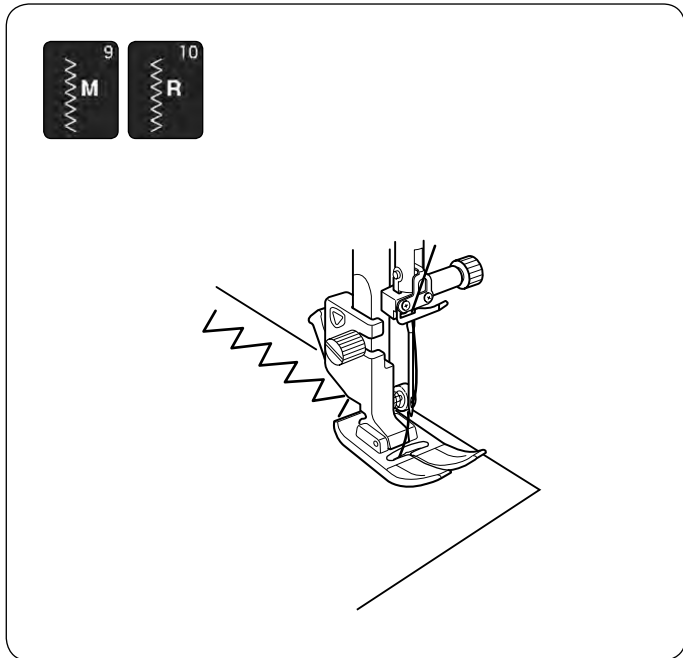
These are narrow stretch stitches designed to eliminate puckering on knit fabrics and bias seams, while permitting the seam to be pressed completely open flat.

Use U7 for seaming fine fabrics or stretch fabrics.



U8 Basting

Refer to page 119 for sewing instructions.

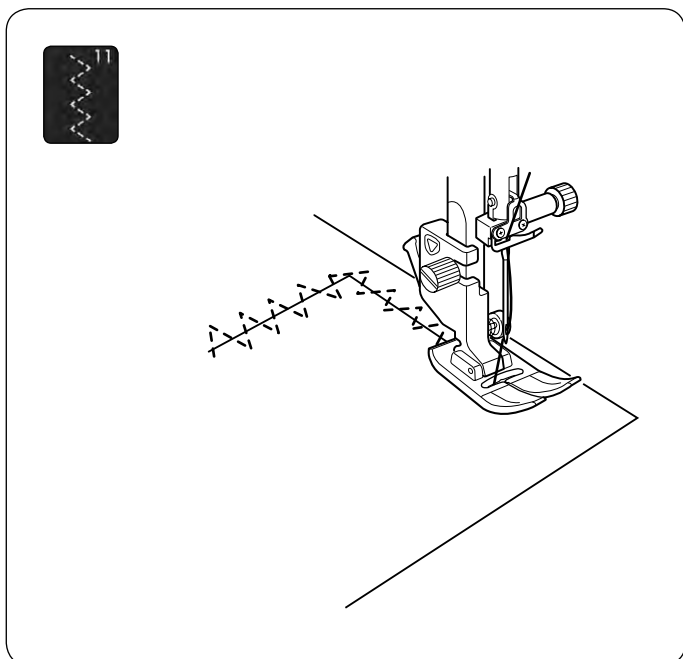


Variety of Zigzag Stitches

U9, U10 Zigzag stitches

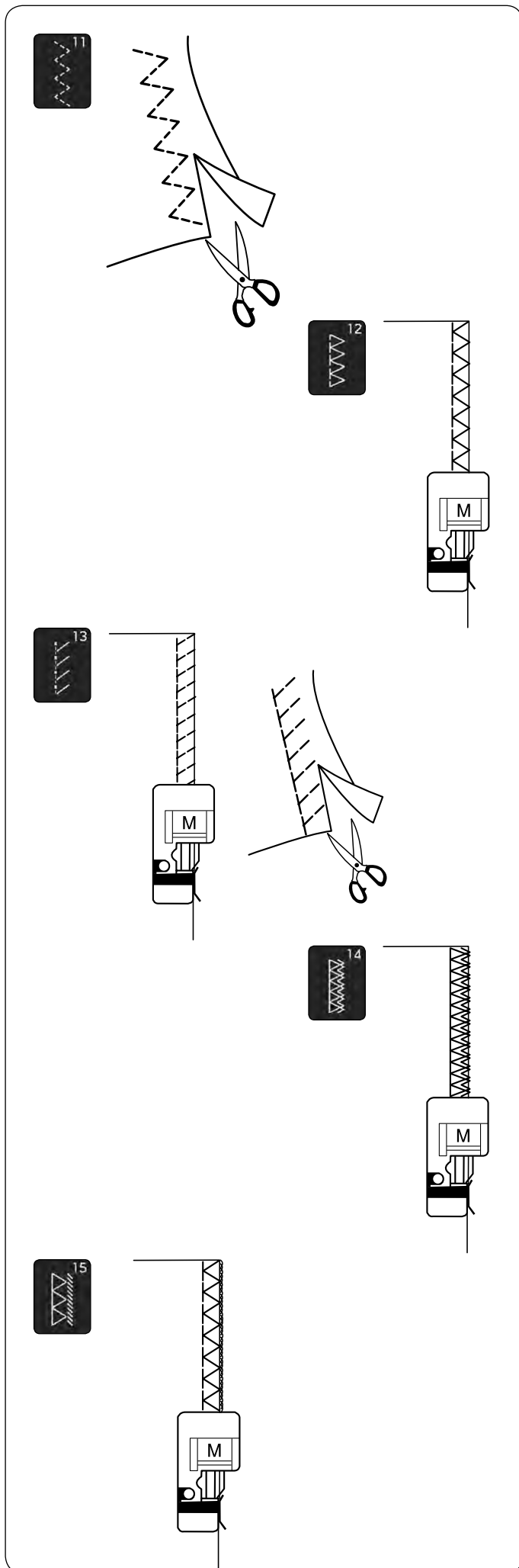
Zigzag stitches are used for various sewing needs including overcasting. These stitches can be used on most woven fabrics.

A dense zigzag stitch can also be used for applique.



U11 Multiple zigzag stitch

This stitch is used for mending tears.



Variety of Overcasting Stitches

U11 Multiple zigzag stitch

This stitch is used to finish a raw edge of synthetics and other stretch fabrics that tend to pucker. Sew along the fabric edge leaving an adequate seam allowance. After sewing, trim off the seam allowance close to the stitches.

U12 Overcasting stitch

This stitch can be used to simultaneously seam and overcast edges of fabrics. Use this stitch when you do not need to open seams flat. Place the fabric edge next to the guide of the foot and sew.

U13 Knit stitch

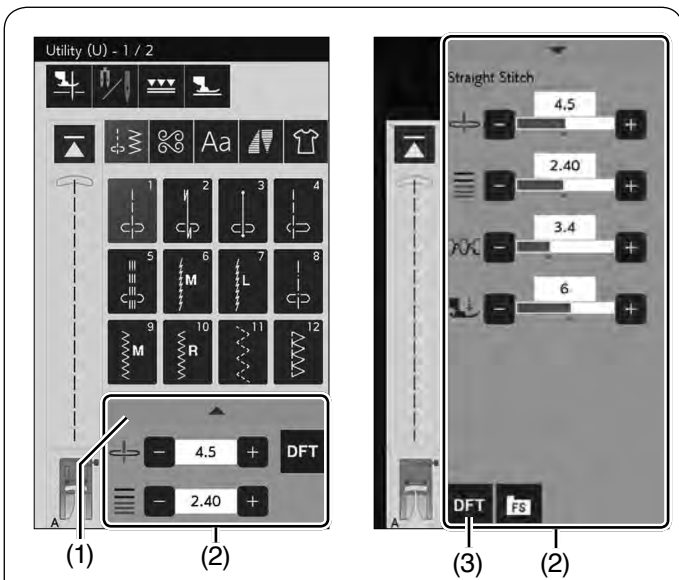
This stitch is recommended for sewing such fabrics as synthetic knits and stretch velour as it provides the greatest amount of elasticity and strength. Place the fabric edge next to the guide of the foot and sew. For better results, use zigzag foot A and sew leaving an adequate seam allowance. After sewing, trim the seam allowance close to the stitches.

U14 Double overedge stitch

This stitch is excellent for fabrics that tend to fray extensively such as linens and gabardines. Place the fabric edge next to the guide of the foot and sew. Two rows of zigzag stitches are simultaneously sewn over the edge to insure that the fabric will not ravel.

U15 Overlock stitch

This stitch finishes the edges of fabric in a way similar to a commercial overlocking machine for a professional look. Place the fabric edge next to the guide of the foot and sew.



Manual Stitch Settings

You can alter the stitch width, needle drop position of the straight stitches, needle thread tension, presser foot pressure value and stitch length.

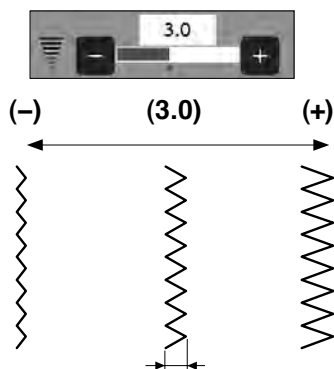
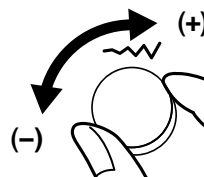
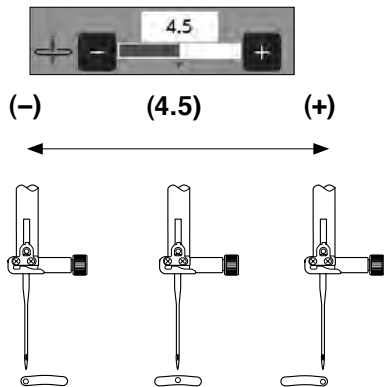
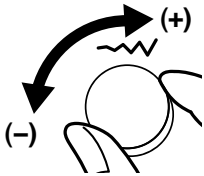
Turn the stitch width or length adjusting dial, or press the “+” or “-” key to change the setting. Press the default key to recover the original stitch setting.

When you press the setting bar, the manual setting window expands to show more options.

You can alter other settings such as needle thread tension and presser foot pressure value, depending on the selected stitch pattern.

Press the setting bar again to shrink the manual setting window.

- (1) Setting bar
- (2) Manual setting window
- (3) Default key



Altering needle drop position (straight stitches)

Turn the stitch width adjusting dial clockwise to move the needle drop position to the right.

Turn the stitch width adjusting dial counterclockwise to move the needle drop position to the left.

You can also change the setting with the “+” or “-” key.

Press the “+” key to move the needle drop position to the right.

Press the “-” key to move the needle drop position to the left.

Altering stitch width

Turn the stitch width adjusting dial clockwise to increase the stitch width.

Turn the stitch width adjusting dial counterclockwise to decrease the stitch width.

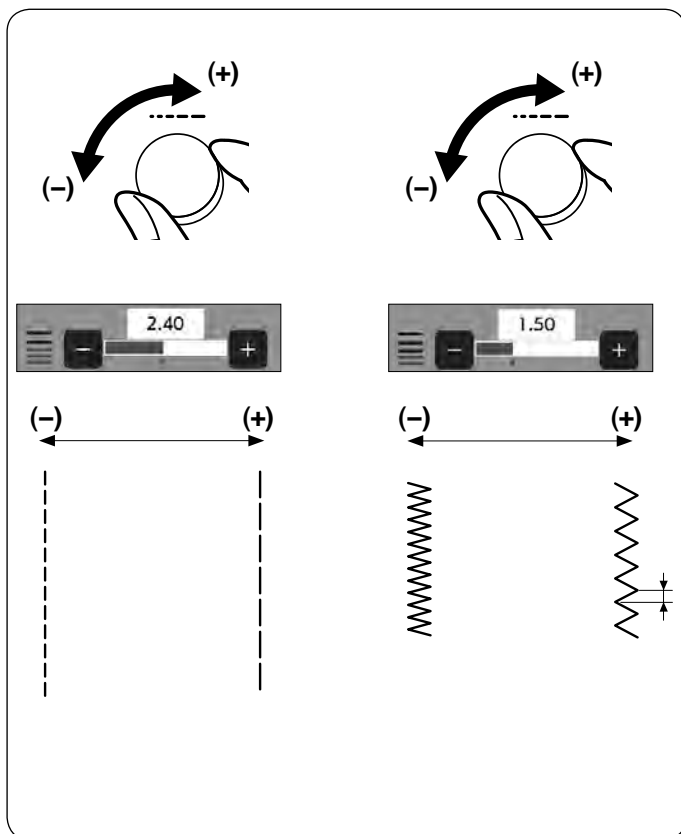
You can also change the setting with the “+” or “-” key.

Press the “+” key to increase the stitch width.

Press the “-” key to decrease the stitch width.

NOTE:

The adjustable range for patterns U6-U7 and U9-U11 is 0.0 to 7.0.



Altering stitch length

Turn the stitch length adjusting dial clockwise to increase the stitch length.

Turn the stitch length adjusting dial counterclockwise to decrease the stitch length.

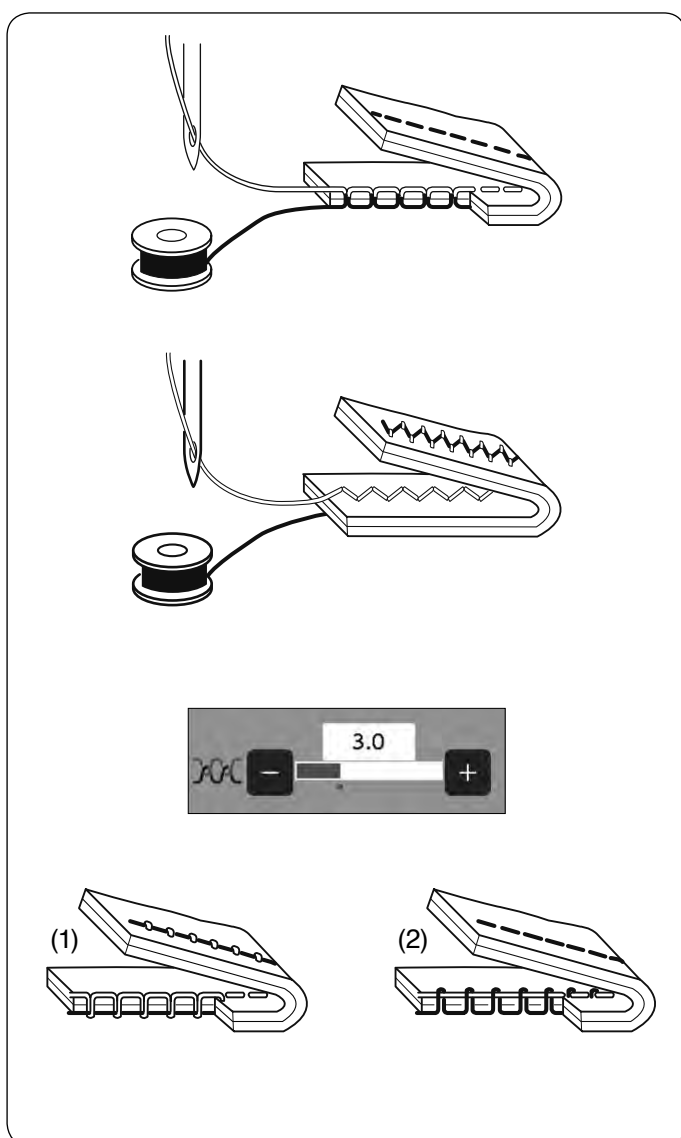
You can also change the setting with the “+” or “-” key.

Press the “+” key to increase the stitch length.

Press the “-” key to decrease the stitch length.

NOTE:

- The adjustable range for patterns U1-U6 and U9-U11 is 0.0 to 5.0.
- The adjustable range for pattern U7 is 1.0 to 5.0.



Adjusting Thread Tension

This machine is equipped with automatic thread tension control, which optimizes the tension balance for the selected stitch pattern.

Balanced thread tension

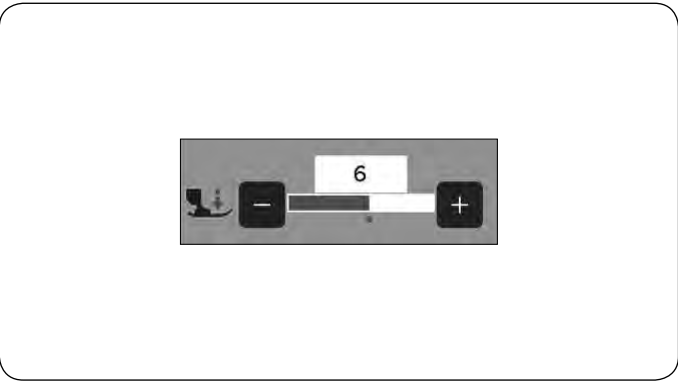
Straight stitch: Both needle and bobbin threads interlock between the layers.

Zigzag stitch: The needle thread appears slightly on the wrong side of the fabric.

However you may need to manually adjust the tension balance depending on the sewing conditions, or you can fine-tune the thread tension to suit your preference.

(1) Press the “+” key if the tension is too loose.

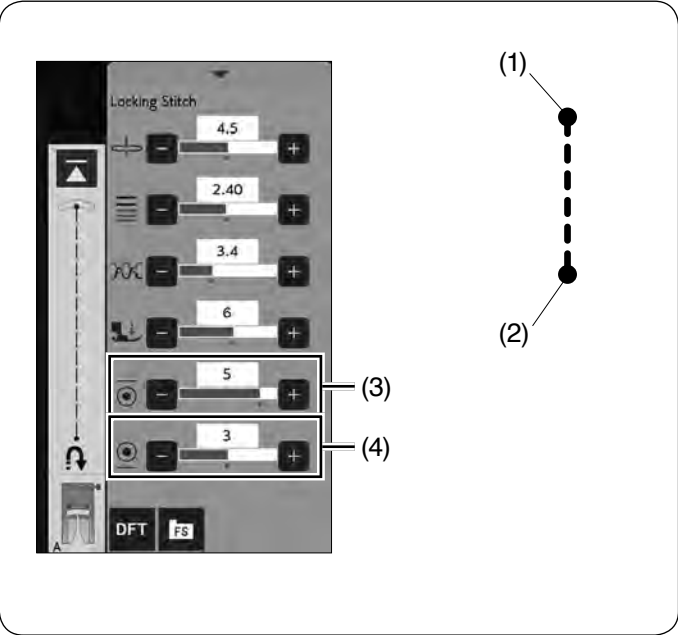
(2) Press the “-” key if the tension is too tight.



Adjusting Foot Pressure Control

The presser foot pressure is automatically optimized for each stitch pattern.

However, you can adjust the foot pressure manually by pressing the “+” key or “-” key to suit your specific sewing needs.



Number of Locking Stitches

The machine sews 5 lock stitches at the beginning and 3 lock stitches at the end.

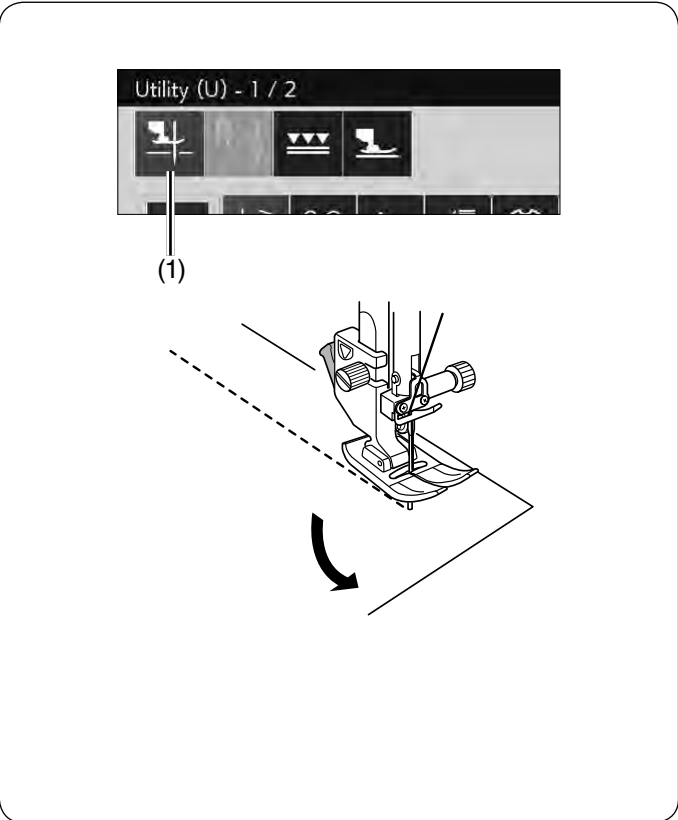
However, you can change the number of lock stitches at the beginning and the end with this option.

To change the number of lock stitches at the beginning, press the “+” or “-” key in section (3).

To change the number of lock stitches at the end, press the “+” or “-” key in section (4).

- (1) Lock stitches at the beginning
- (2) Lock stitches at the end

NOTE:
This option is available only for the locking stitch (U3).



Foot Up for Pivoting

If this option is turned on, the presser foot will automatically go up when the machine stops. This feature is very useful when turning corners.

Press the foot-up key to turn this option on or off.

- (1) Foot-up key

NOTE:
Height of the foot can be adjusted in the sewing setting mode (refer to page 143).

Favorite Stitch Adjustment

You can save customized stitch settings (stitch length, stitch width, thread tension and presser foot pressure, depending on the selected stitch patterns) as “Favorite Stitch Adjustment”. When the favorite stitch adjustment option is turned ON (refer to page 145), the last-used customized stitch settings are automatically assigned when the stitch pattern is selected.

(1) Favorite Stitch Adjustment

NOTE:

- Favorite stitch option cannot be assigned for created stitch (CS).
- Favorite stitch option cannot be used in monogram mode.

Example: To change the preset value of the needle drop position from “4.5” to “5.0”.

Turn the Favorite Stitch Adjustment option ON (refer to page 145).

Select stitch pattern U1.

Press the setting bar. The manual setting window expands to show more options.

The favorite stitch key appears on the manual setting window.

Change the needle drop position from “4.5” to “5.0” by turning the stitch width adjusting dial or pressing “+” key.

Press the favorite stitch key.

The dialog box will open.

Press the save favorite key to register the favorite stitch settings.

(2) Setting bar

(3) Favorite stitch key

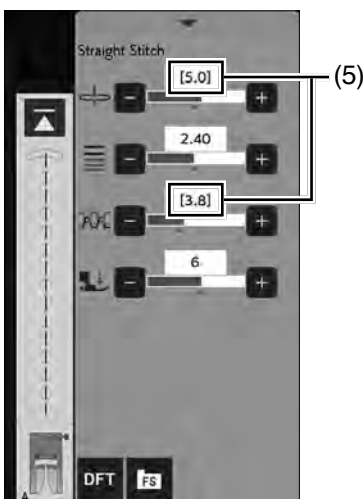
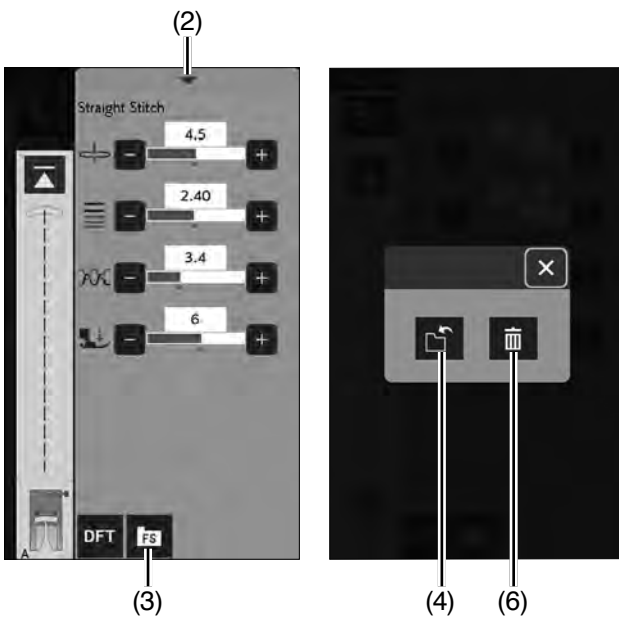
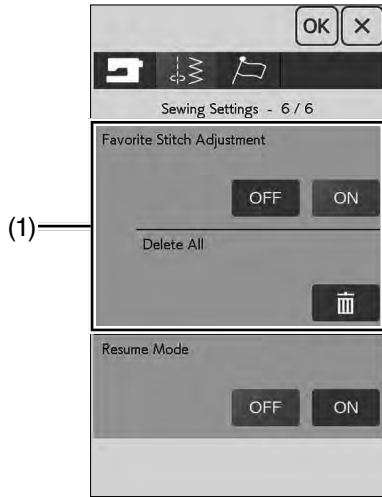
(4) Save favorite key

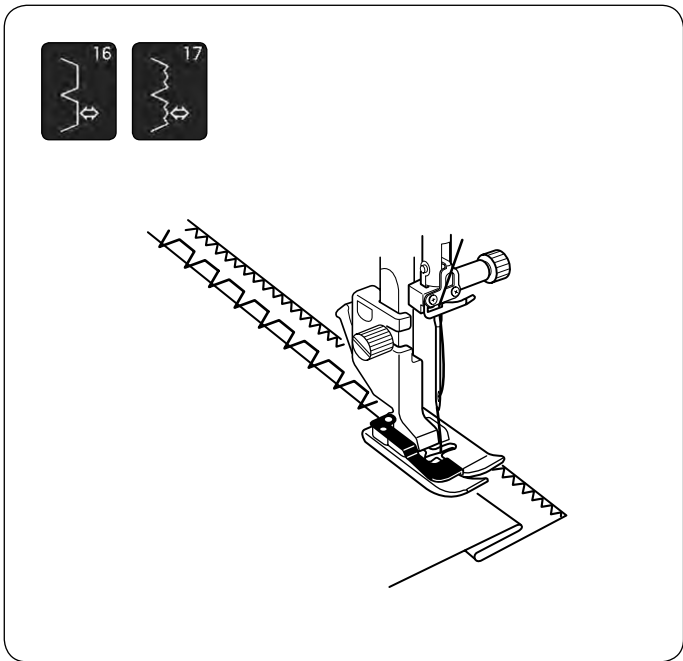
The square bracket indicates that the customized preset stitch value is applied to the setting.

To delete favorite stitch settings, press the favorite stitch key and press the delete key.

(5) Square bracket

(6) Delete key

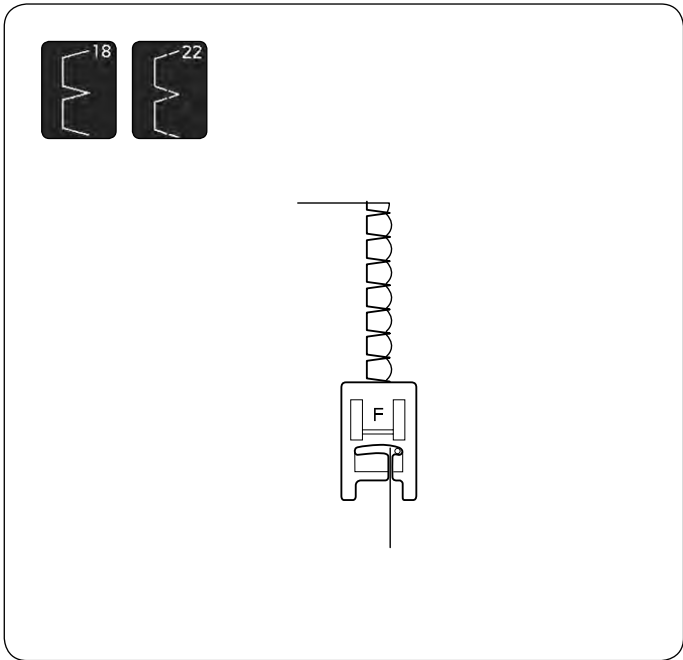




Other Utility Stitches

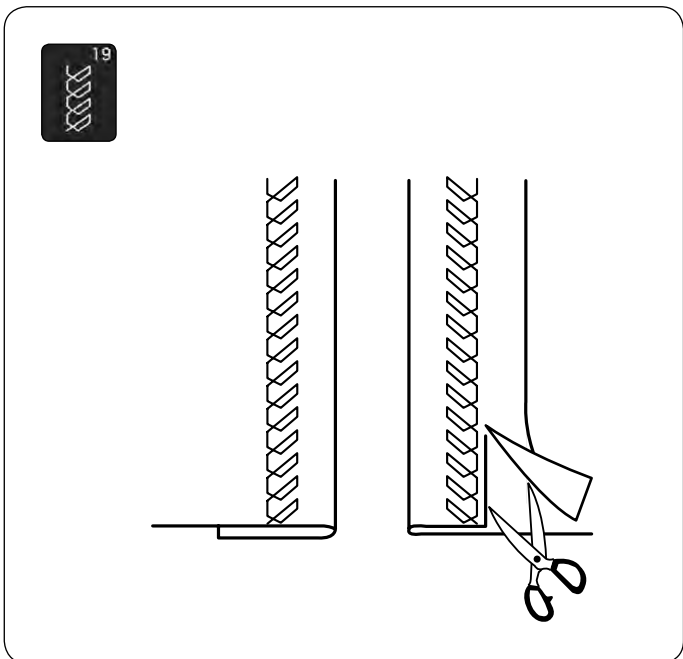
U16, U17 Blind Hem

Refer to page 110-111 for sewing instruction.



U18, U22 Shell Tuck

Refer to page 112 for sewing instruction.

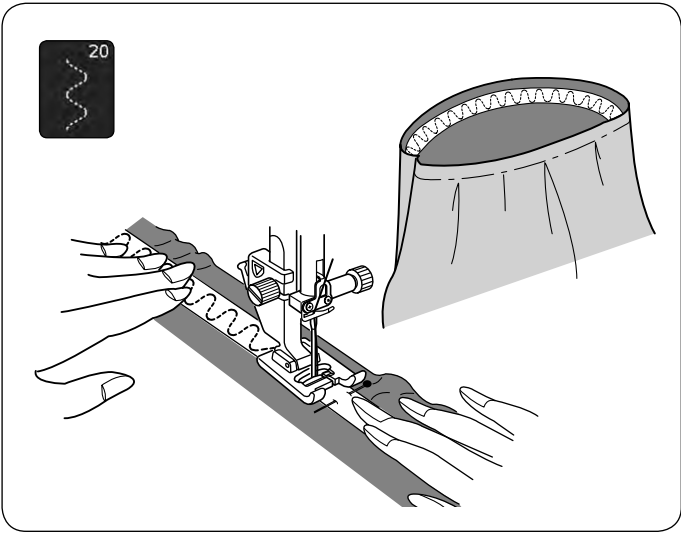


U19 Visible hemming

Fold and press a single hem. Place the fabric with the right side up.

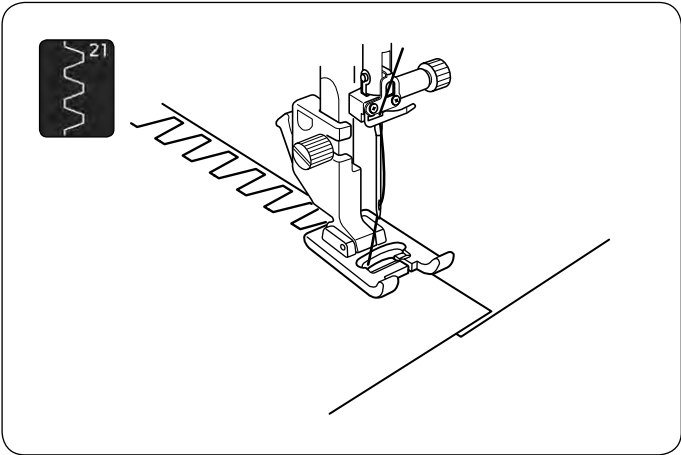
Sew along the fold at the desired depth.

Trim the excess on the wrong side.



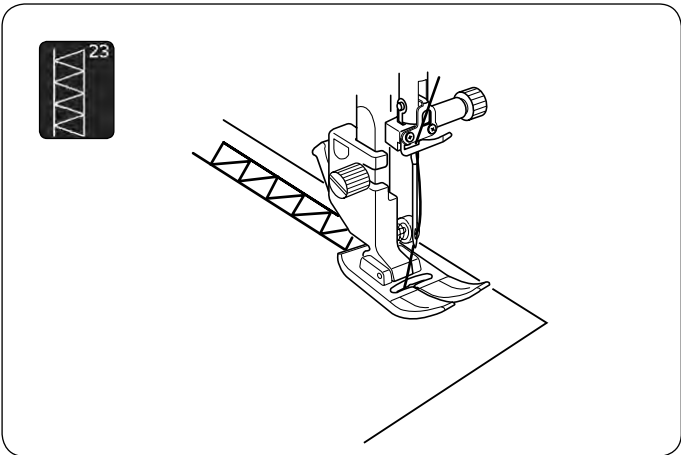
U20 Attaching elastic

Mark the elastic into quarters. Match those to the center front, center back and side seams, and pin the elastic to the fabric.
Place the elastic under the foot and stitch into place while stretching the elastic evenly.



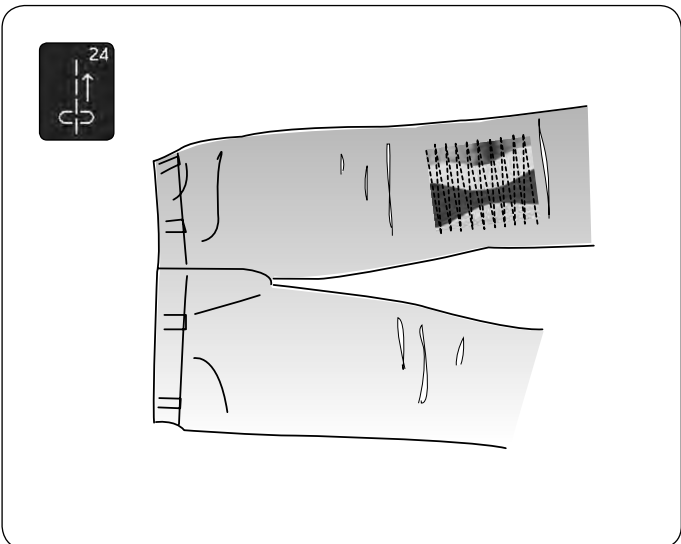
U21 Box stitching

Use this stitch to join heavy weight fabrics. Overlap two raw edges together and use this stitch to join them.
Use also for fagoting.



U23 Hemstitch

Use this stitch for fagoting or decorative stitch.



U24 Backward stitch

U24 is backward stitch.
Use the stitch if it is hard to guide the fabric while pressing the reverse button.
The machine sews in reverse without pressing the reverse button so that you can guide the fabric with both hands.

BUTTONHOLES AND SPECIALTY STITCHES

Variety of Buttonholes

B1 Sensor (square) buttonhole

This square buttonhole is widely used on medium to heavy weight fabrics. The buttonhole size is automatically determined by placing a button in the foot.

B2 Automatic (square) buttonhole

This is also a square buttonhole similar to the sensor square buttonhole, but you can manually set the buttonhole size and the machine memorizes it to sew buttonholes of the same size.

B3 Round end buttonhole

This buttonhole is used on fine to medium weight fabrics especially for blouses and children's clothes.

B4 Fine fabric buttonhole

This buttonhole is rounded at both ends and is used on fine, delicate fabrics such as fine silk.

B5 Keyhole buttonhole

The keyhole buttonhole is widely used on medium to heavy weight fabrics. It is also suitable for larger and thicker buttons.

B6 Rounded keyhole buttonhole

This buttonhole is used for thicker buttons on medium weight fabrics.

B7 Tailored buttonhole

This durable buttonhole is used with thick buttons and heavy fabrics.

B8 Stretch buttonhole

This buttonhole is suitable for stretch fabrics. It can also be used as a decorative buttonhole.

B9 Knit buttonhole

This buttonhole is suitable for knit fabrics. It can also be used as a decorative buttonhole.

B10 Antique buttonhole

This buttonhole looks like the heirloom stitch. It has an attractive handmade appearance and makes a nice decorative buttonhole.

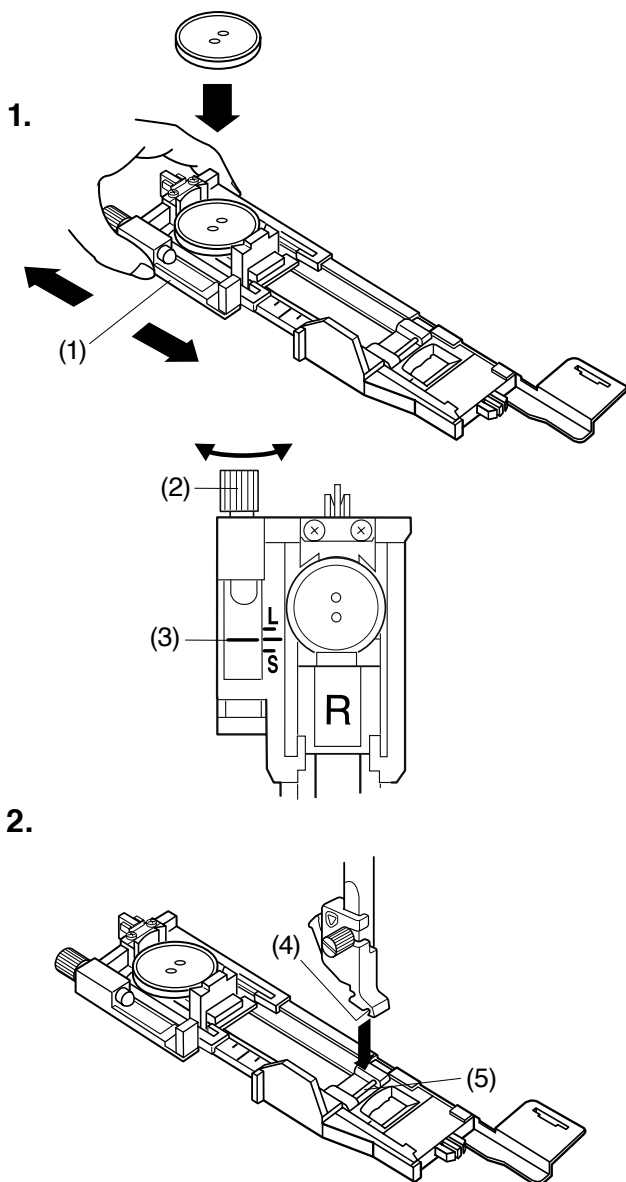
B11 Weltd buttonhole

This is a template pattern for the hand sewn welted (bound) buttonhole.

NOTE:

B3-B11 are sensor buttonholes and the sewing procedure is the same as for B1.





B1 Sensor (Square) Buttonhole

The size of a buttonhole is automatically set by placing a button in the rear of automatic buttonhole foot R.

The button holder of the foot takes a button size of 1 cm (3/8") to 2.5 cm (1") in diameter.

When selecting the buttonholes, the visual touch screen advises you to lower the buttonhole lever.

NOTE:

- It is sometimes necessary to change buttonhole size to match certain heavy or specific fabrics and threads.
- Make a test buttonhole on an extra piece of the fabric to check your settings.
- The preset width of the buttonhole is suited for ordinary buttons.
- Apply an interfacing to stretch or fine fabrics.

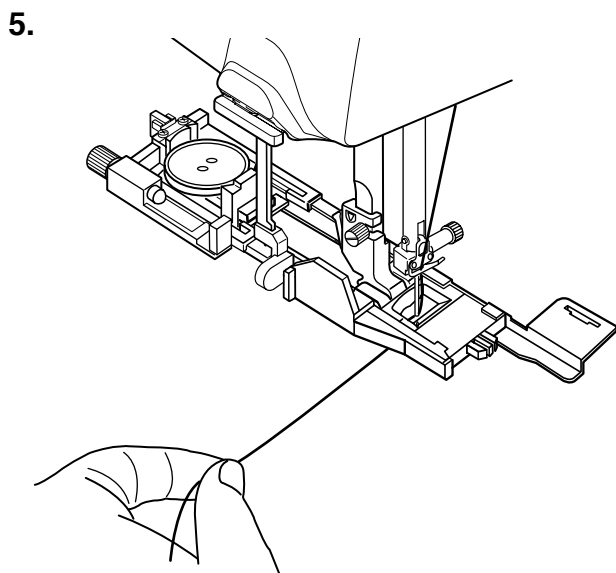
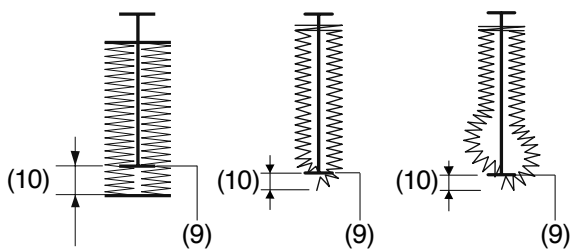
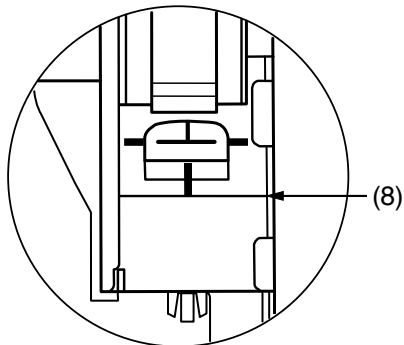
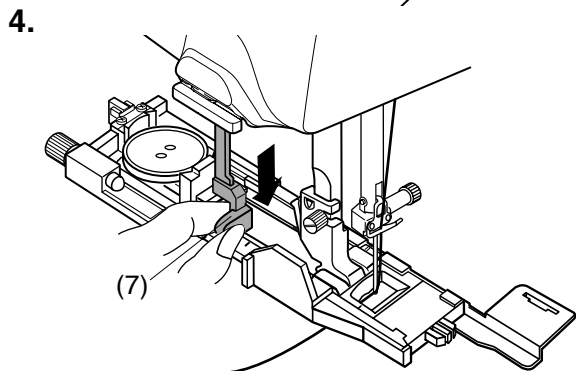
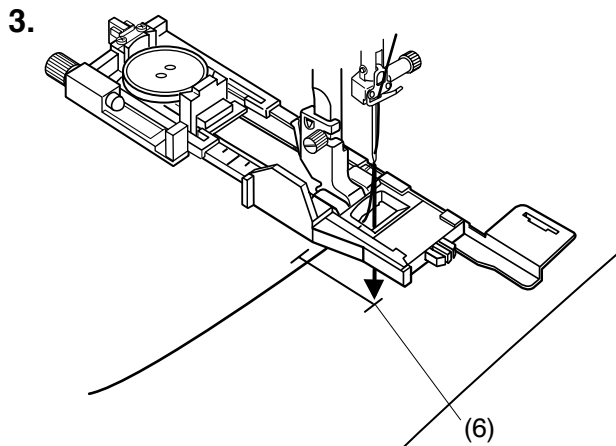
Sewing

1. Pull the button holder to the back, and place the button in it. Push it together tightly on the button.
 - (1) Button holder

NOTE:

- Check the length of the test buttonhole, and adjust the buttonhole length if necessary by turning the adjusting screw on the buttonhole foot.
- To increase the buttonhole length, turn the adjusting screw to move the marker toward "L".
- To decrease the buttonhole length, turn the adjusting screw to move the marker toward "S".
 - (2) Adjusting screw
 - (3) Marker

2. Press the needle up/down button to raise the needle. Press the lockout key. Raise the presser foot and attach automatic buttonhole foot R snapping the pin into the groove of the foot holder. You may lift the presser foot lifter to the extra lifted position when placing the automatic buttonhole foot under the foot holder. Press the lockout key to unlock the machine.
 - (4) Groove
 - (5) Pin



3. Draw the needle thread to the left through the hole of the foot.

Mark the buttonhole position on the fabric and place it under the buttonhole foot. Lower the needle at the starting point by turning the handwheel.

(6) Starting point

4. Lower the presser foot and pull the buttonhole lever down as far as it will go.

(7) Buttonhole lever

NOTE:

Make sure there is no gap between the slider and front stopper, otherwise the buttonhole will be out of position or there will be a sewing gap.

(8) No gap

(9) Starting point

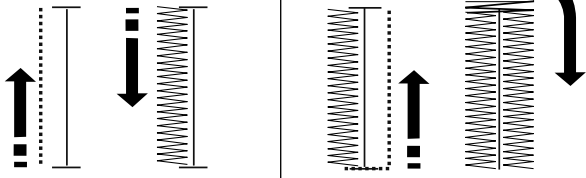
(10) Sewing gap

5. Start sewing while pulling the needle thread lightly to the left. After sewing a few stitches, free the thread and continue sewing.

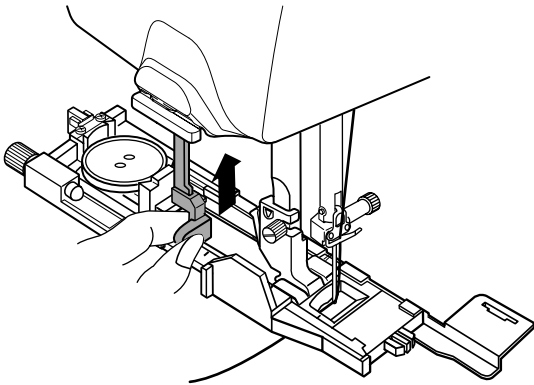
NOTE:

If you start sewing without pulling down the buttonhole lever, the visual touch screen will show a warning and the machine will stop after a few stitches. Pull the buttonhole lever down and start sewing.

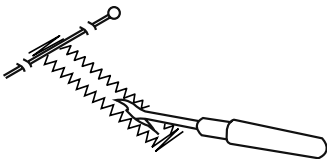
6.



7.



8.



6. The buttonhole is sewn automatically in the sequence shown.

When the buttonhole is finished, the machine will stop automatically with the needle in the up position. Press the thread cutter button and remove the fabric.

7. After you finish buttonhole sewing, push the buttonhole lever up as far as it will go.

8. Place a pin just below the bartack at each end to prevent accidentally cutting the threads. Cut the opening with the seam ripper. Use a punch to open a keyhole buttonhole.

NOTE:

A punch is not included with this machine.

Double Layer Buttonhole

To make a sturdy buttonhole, sew another layer of buttonhole stitches over the previous stitches.

After the buttonhole is finished, simply start the machine again.

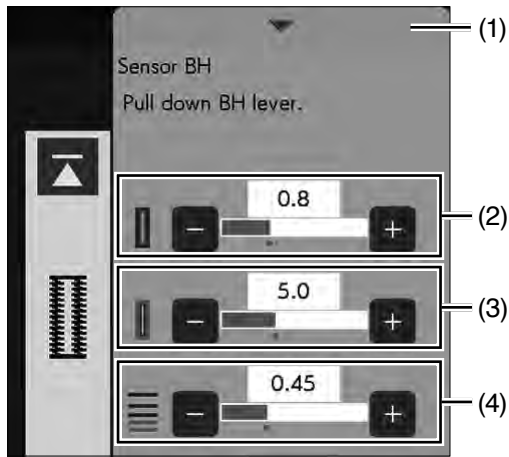
Do not raise the foot or buttonhole lever.

Do not reselect the pattern.

NOTE:

Turn off "Thread Cut after Auto-Lock" option when you make a double layer buttonhole (refer to page 142).

Completed.
Raise presser foot.

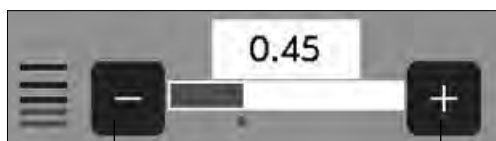
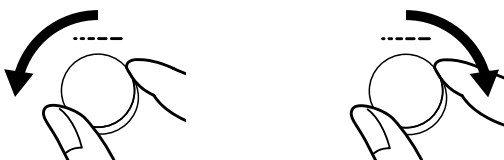
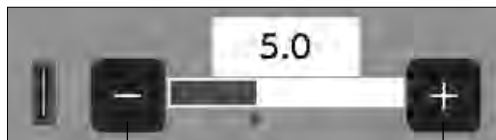
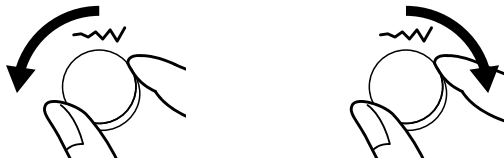
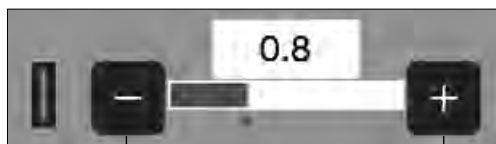


Manual Settings

You can alter the buttonhole opening width, buttonhole width and buttonhole stitch density on the manual setting window.

When you press the setting bar, the manual setting window expands to show more options.

(1) Setting bar



(2) Altering buttonhole opening width

Press the “+” key to make the buttonhole opening wider. Press the “-” key to make the buttonhole opening narrower.

(3) Altering buttonhole width

Turn the stitch width adjusting dial clockwise to increase the buttonhole width.

Turn the stitch width adjusting dial counterclockwise to decrease the buttonhole width.

Or press the “+” key to increase the buttonhole width. Press the “-” key to decrease the buttonhole width.

(4) Altering buttonhole stitch density

Turn the stitch length adjusting dial clockwise to make the buttonhole stitches less dense.

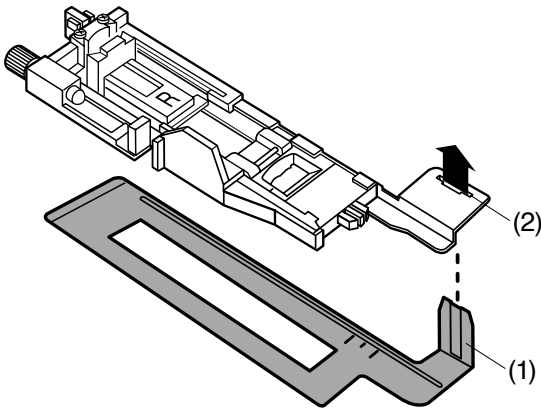
Turn the stitch length adjusting dial counterclockwise to make the buttonhole stitches denser.

Or press the “+” key to make the buttonhole stitches less dense. Press the “-” key to make the buttonhole stitches denser.

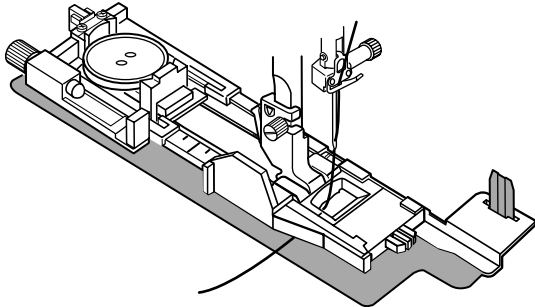
NOTE:

- The opening width is adjustable from 0.2 to 2.0.
- The buttonhole width is adjustable from 2.6 to 9.0.
- The stitch density is adjustable from 0.20 to 1.00.

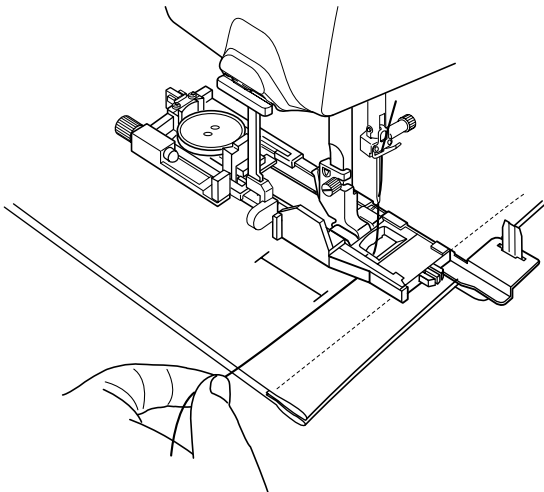
1.



2.



3.



Using the Stabilizer Plate

The stabilizer plate holds and supports the fabric so it is helpful when sewing buttonholes over the hem of thick fabrics.

1. Insert the tab of the stabilizer plate into the slot of the buttonhole foot.

- (1) Stabilizer plate
- (2) Slot

2. Place the button on the button holder of the foot. Attach the buttonhole foot to the machine.

Draw the needle thread to the left between the foot and stabilizer plate.

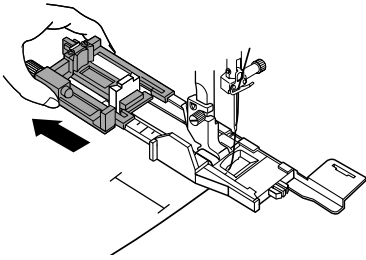
3. Place the fabric between the buttonhole foot and stabilizer plate. Lower the needle into the starting point by turning the handwheel.

Lower the foot and buttonhole lever.

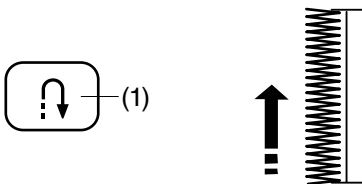
Start the machine while pulling the needle thread lightly to the left. After sewing a few stitches, free the thread and continue sewing.

NOTE:

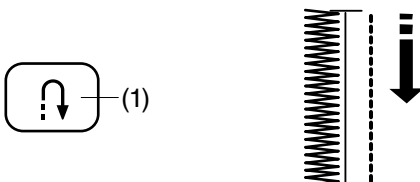
The sewing procedure is exactly the same as that for B1 sensor (square) buttonhole (refer to pages 57-59).



1.



2.



B2 Automatic (Square) Buttonhole

Pull the button holder all the way out.

Draw the needle thread to the left through the hole of the foot.

Mark the buttonhole position on the fabric.

Place the fabric under the foot, and lower the needle at the starting point by turning the handwheel.

Lower the foot and start sewing while pulling the needle thread lightly to the left. After sewing a few stitches, free the thread and continue sewing.

NOTE:

- You do not need to pull down the buttonhole lever.
- If you wish to sew a buttonhole longer than the size permitted by automatic buttonhole foot R, use satin stitch foot F.

NOTE:

- The opening width is adjustable from 0.2 to 2.0.
- The buttonhole width is adjustable from 2.6 to 9.0.
- The stitch density is adjustable from 0.20 to 1.00.

1. Sew the left side up to the required buttonhole length and stop the machine. Then press the reverse button.

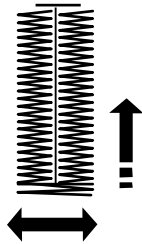
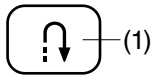
(1) Reverse button

2. Start sewing again, and the machine sews back with a straight stitch.

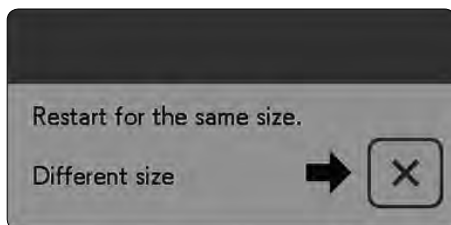
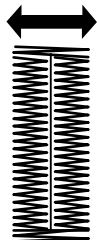
Stop the machine when you reach the starting point. Then press the reverse button.

(1) Reverse button

3.



4.



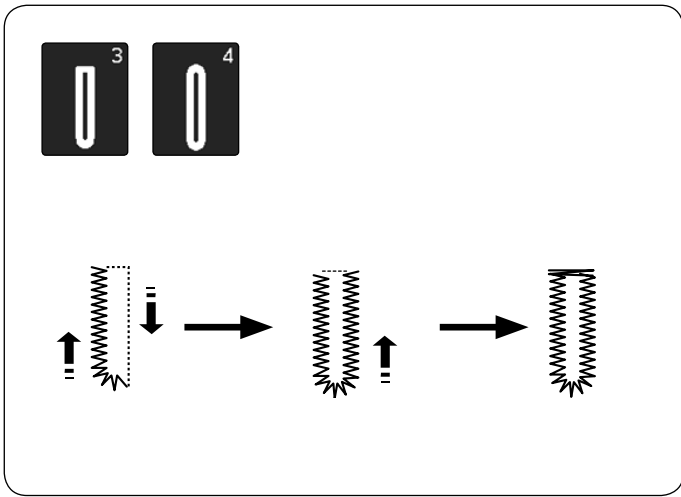
3. Start sewing again, and the machine sews the front bartack and right side of the buttonhole. Stop the machine when you reach the ending point. Then press the reverse button.
- (1) Reverse button

4. Start sewing again, and machine sews the back bartack and locking stitches then stops automatically with the needle in the up position. When the buttonhole is finished, a message will appear. To make the next buttonhole, position the fabric and start sewing again. The message disappears and the machine sews another buttonhole identical to the first one then stops automatically.

To sew another buttonhole in a different size, press the X key on the dialog box.

NOTE:

- To cut the buttonhole opening, refer to the instructions on page 59.
- The memorized length will be cancelled if the presser foot is raised or the startover key (refer to page 87) is pressed before buttonhole is completed.



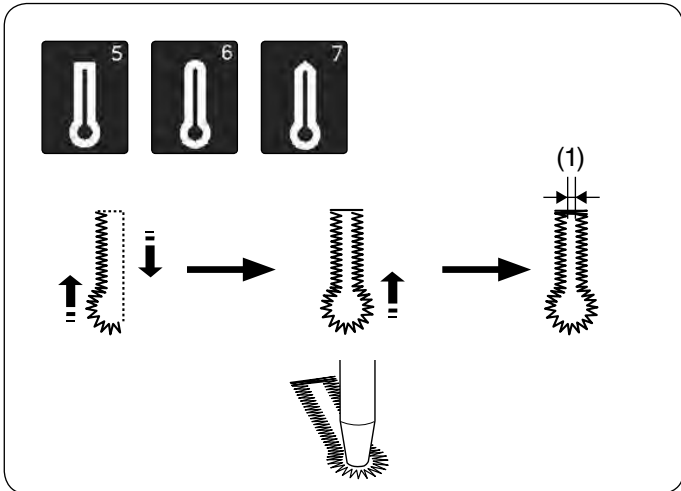
Other Buttonholes

B3, B4 Round end and fine fabric buttonholes

The sewing procedure is the same as that of B1 sensor (square) buttonhole (refer to pages 57-59).

NOTE:

- The opening width is adjustable from 0.2 to 2.0.
- The buttonhole width is adjustable from 2.6 to 9.0.
- The stitch density is adjustable from 0.20 to 1.00.



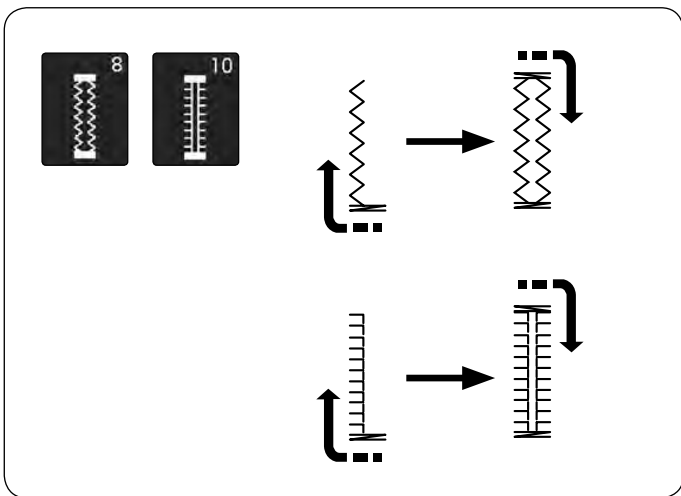
B5-B7 Keyhole buttonholes

The sewing procedure is the same as B1 sensor (square) buttonhole (refer to pages 57-59).

Use a punch to open the keyhole buttonhole.

NOTE:

- A punch is not included with this machine.
- The opening width (1) is adjustable from 0.2 to 2.0.
- The buttonhole width is adjustable from 5.6 to 9.0.
- The stitch density is adjustable from 0.20 to 1.00.



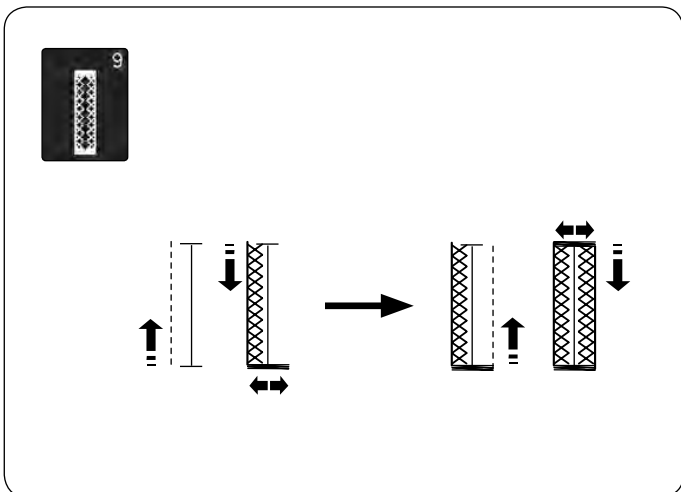
B8, B10 Stretch and Antique buttonholes

The sewing procedure is the same as B1 sensor (square) buttonhole (refer to pages 57-59).

The sewing steps are as shown.

NOTE:

- The opening width is adjustable from 0.2 to 2.0.
- The buttonhole width is adjustable from 2.6 to 9.0.
- The stitch density is adjustable from 0.50 to 1.00 (B8), and from 0.50 to 2.50 (B10).

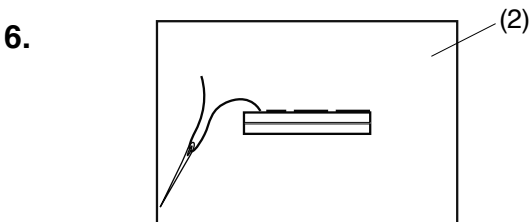
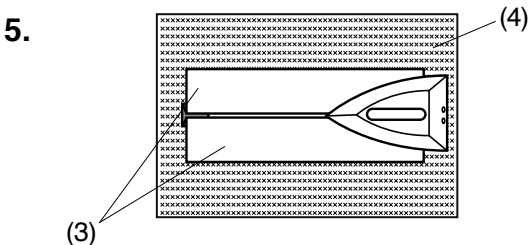
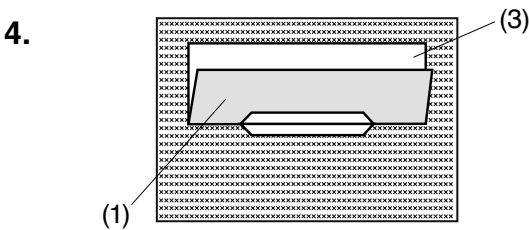
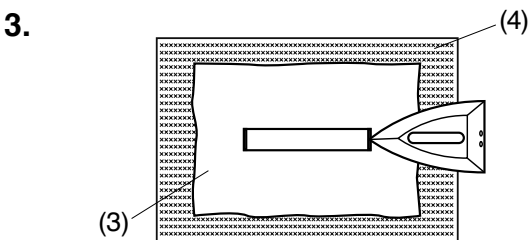
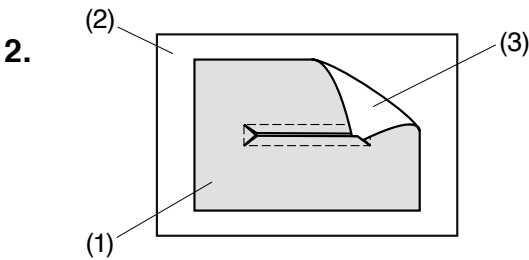
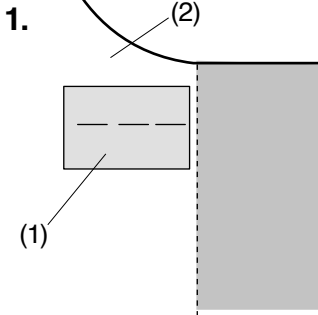


B9 Knit buttonhole

The sewing procedure is the same as B1 sensor (square) buttonhole (refer to pages 57-59).

NOTE:

- The opening width is adjustable from 0.2 to 2.0.
- The buttonhole width is adjustable from 2.6 to 9.0.
- The stitch density is adjustable from 0.70 to 1.20.



B11 Welted Buttonhole (Bound Buttonhole)

A welted buttonhole is made by stitching a strip or patch of fabric to the buttonhole. Welted buttonholes are particularly suitable for tailored garments, but are not recommended for sheer or delicate fabrics where the patch might show through or add bulk.

1. Baste a patch to the garment fabric with the right sides together.
 - (1) Wrong side of patch
 - (2) Right side of garment fabric

2. Select pattern B11. Sew the welted buttonhole on both fabrics together. Cut the buttonhole opening as illustrated then pull the patch out through the slit to the other side.
 - (1) Wrong side of patch
 - (2) Right side of garment fabric
 - (3) Right side of patch

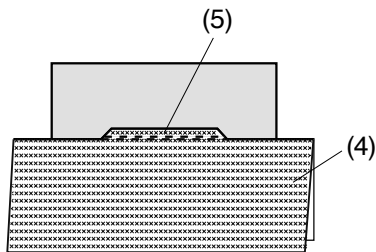
3. Pull out the patch until the right side of the patch is showing. Use an iron to press both corner ends until they are squared off.
 - (3) Right side of patch
 - (4) Wrong side of garment fabric

4. Fold back each side of the patch to form buttonhole lips.
 - (1) Wrong side of patch
 - (3) Right side of patch

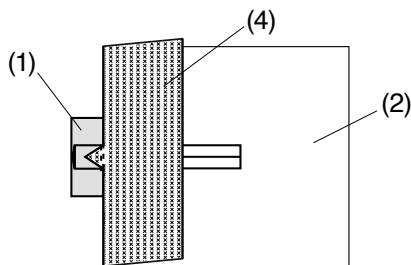
5. Press both folds with an iron.
 - (3) Right side of patch
 - (4) Wrong side of garment fabric

6. Baste both edges of the seam with a needle and thread by hand.
 - (2) Right side of garment fabric

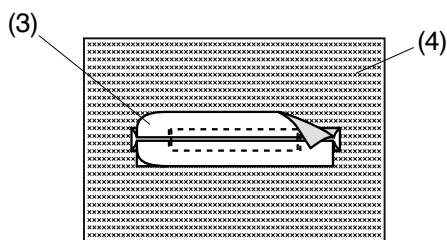
7.



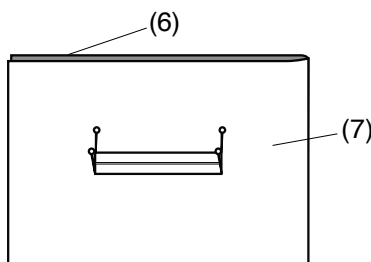
8.



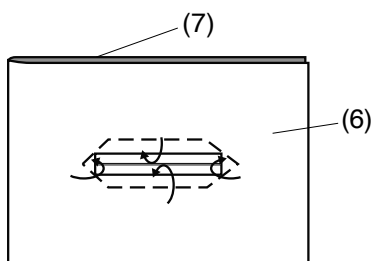
9.



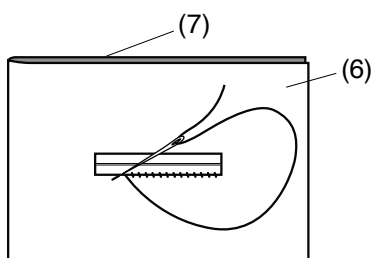
10.



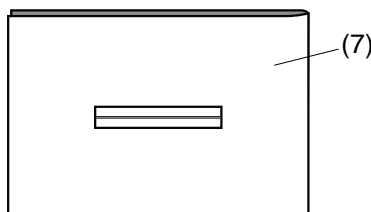
11.



12.



13.



7. Fold over the length of the garment fabric, sew back and forth beside the original seam to secure flaps of the patch.

(4) Wrong side of garment fabric

(5) Sew back and forth

8. Fold over the end of fabric and sew back and forth three times over the triangular end.

(1) Wrong side of patch

(2) Right side of garment fabric

(4) Wrong side of garment fabric

9. The patch should be cut 1 cm to 1.5 cm (3/8" - 5/8") away from the hole. The corners should be cut rounded off as shown.

(3) Right side of patch

(4) Wrong side of garment fabric

10. Place the facing on the wrong side of the garment fabric. Mark the 4 corners with pins as shown.

(6) Facing

(7) Garment fabric

11. Turn all the layers over and cut the buttonhole opening on the facing in the same way as step 2.

Four marker pins show you the corner points on the facing. Fold back each flap between the facing and patch.

(6) Facing

(7) Garment fabric

12. Stitch around the opening with a needle and thread as shown.

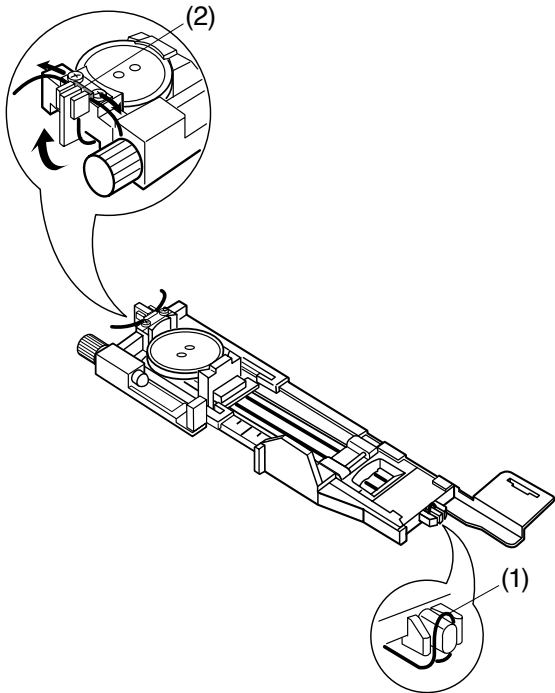
(6) Facing

(7) Garment fabric

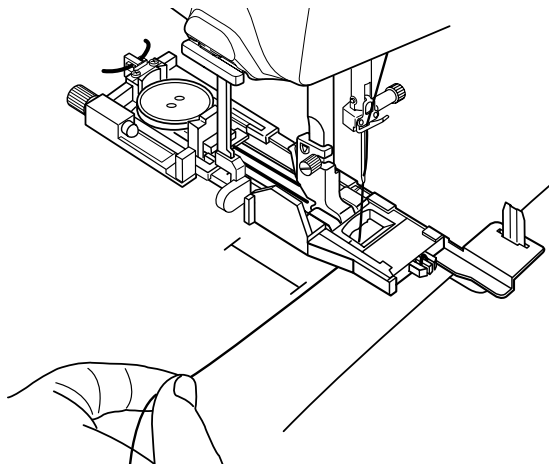
13. The welted buttonhole is complete.

(7) Garment fabric

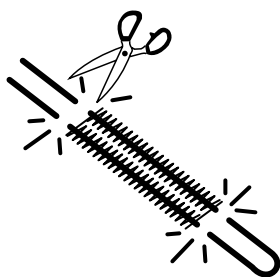
1.



2.



3.



Corded Buttonhole

To sew a corded buttonhole, follow the same procedure as for B1 sensor (square) buttonhole.

Select pattern B1.

1. Place the button on the button holder on the buttonhole foot.

Hook a filler cord on the spur on the front of the foot. Bring the ends of cord toward the back and under the foot.

Bring up the ends of the cord and insert both ends between the ribs and metal plate.

- (1) Spur
- (2) Metal plate

Set the stabilizer plate as necessary and attach the buttonhole foot.

2. Lower the needle into the fabric where the buttonhole will start.

Lower the foot and buttonhole lever.

Pull the needle thread lightly to the left.

Start the machine to sew the buttonhole over the cord.

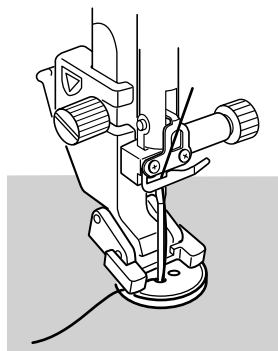
The machine stops automatically when finished.

Remove the fabric from the machine and cut the sewing threads only.

3. Cut the filler cord at both ends as close to the buttonhole as possible.

NOTE:

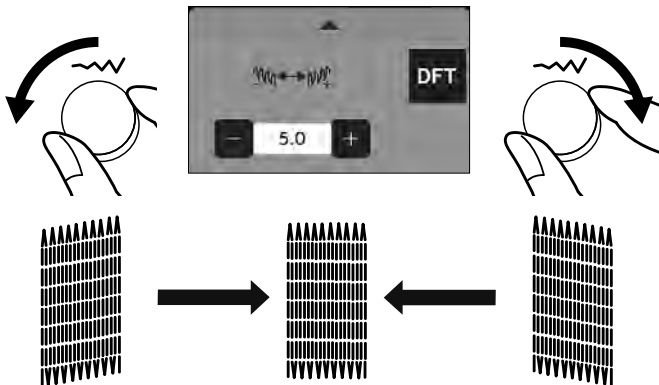
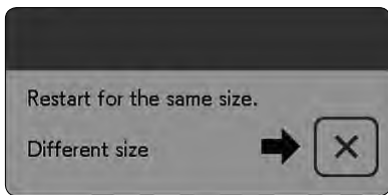
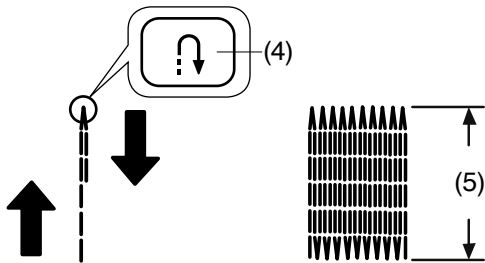
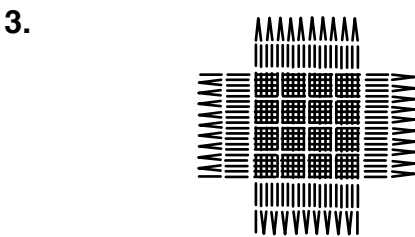
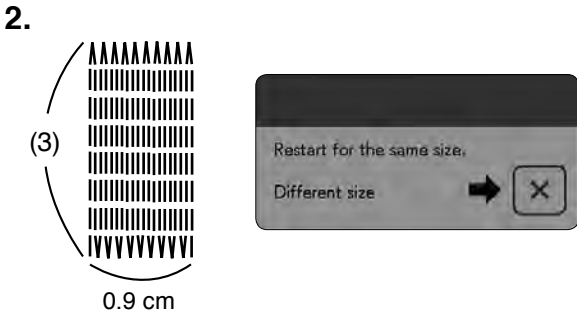
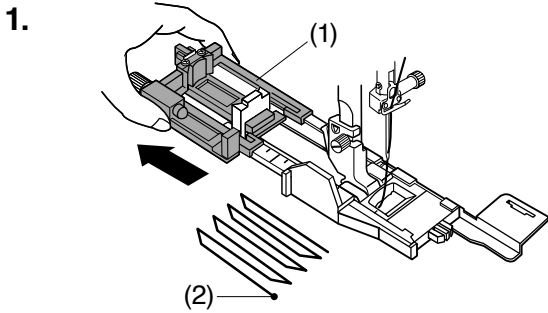
- Do not adjust the opening width wider than 0.8.
- Set the stitch width in accordance with the thickness of the cord used.
- To cut the buttonhole opening, refer to the instructions on page 59.



Specialty Stitches

B12 Button Sewing

Refer to page 120 for sewing instructions.



B13 Darning

1. Attach automatic buttonhole foot R and pull the button holder all the way out.

Place the fabric under the foot, and lower the needle at the starting point. Then lower the foot.

- (1) Button holder
- (2) Starting point

2. Start the machine and continue sewing until the machine stops automatically. When finished sewing, a confirmation message will appear.

NOTE:

The machine will sew the darning at maximum 2 cm (3/4") length and fixed 0.9 cm (3/8") width when sewing until it stops automatically.

- (3) 2 cm (3/4")

3. Sew another layer of darning over the first layer, at a right angle to it.

To sew shorter darning

Sew the first line to the desired length and stop the machine.

Press the reverse button and start the machine again. The machine will sew the rest of the darning and stop automatically.

- (4) Reverse button
- (5) Required length

To sew the same size darning

When finished sewing, a confirmation message will appear.

Simply start the machine to sew another layer of darning stitches in the same size.

To sew the next layer of darning stitches in a different size, press the X key.

To adjust the evenness of darning stitches

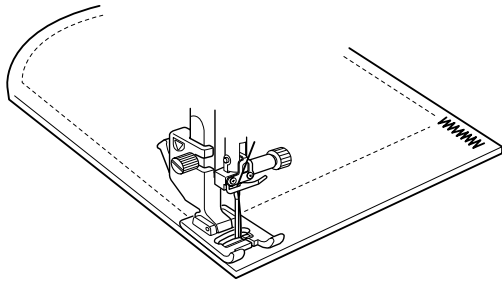
You can correct unevenness of darning stitches by turning the stitch width adjusting dial or pressing the “-” or “+” key of the adjusting window.

If the left corner is lower than the right side, turn the stitch width adjusting dial counterclockwise or press the “-” key to correct it.

If the right corner is lower than the left side, turn the stitch width adjusting dial clockwise or press the “+” key to correct it.

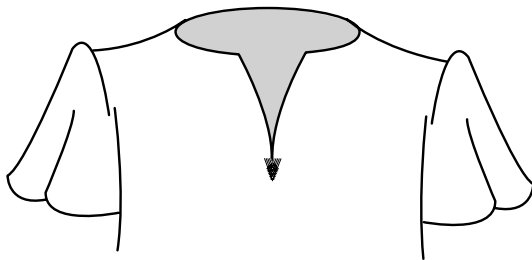
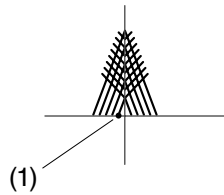
NOTE:

The memorized length will be cancelled if the presser foot is raised or the startover key (refer to page 87) is pressed before darning is completed.



B14 Tacking

Refer to page 121 for sewing instructions.



B15 Fly Stitch

The fly stitch is a triangle tacking stitch for use on a zipper fly bottom and on the side pockets of pants.

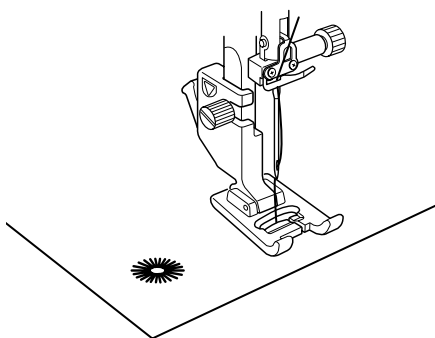
Attach the satin stitch foot F.

To sew:

Place the garment under the foot and lower the needle at the starting point.

Sew the stitch until the machine stops automatically.

(1) Starting point



B16-B18 Eyelets

Refer to page 122 for sewing instructions.

DECORATIVE STITCHES

Decorative Stitches

The patterns in this section are classified into 17 groups. These patterns are programmable and you can make a pattern combination.

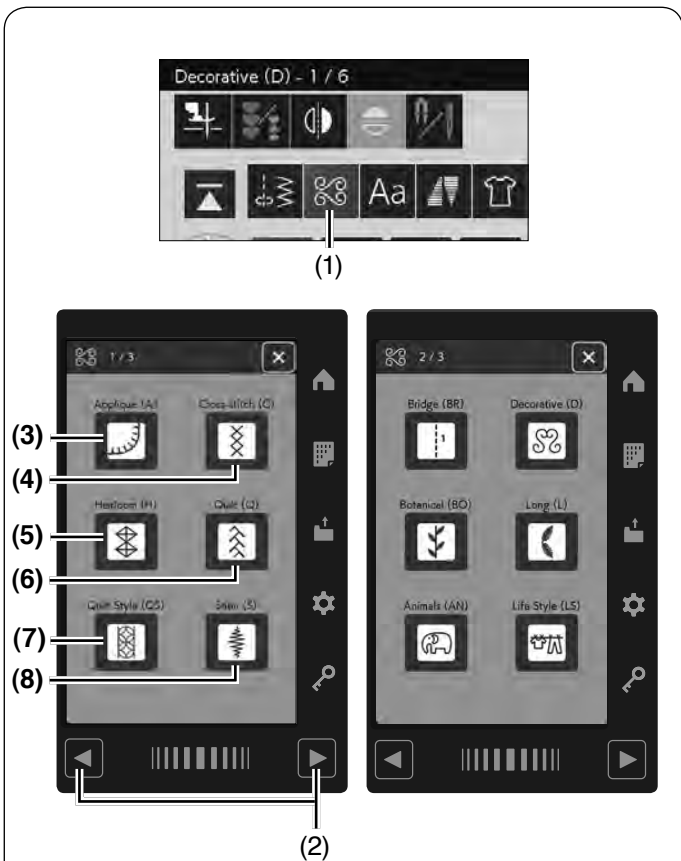
Press the decorative and quilting stitches key and the decorative stitch selection window will open.

(1) Decorative and quilting stitches key

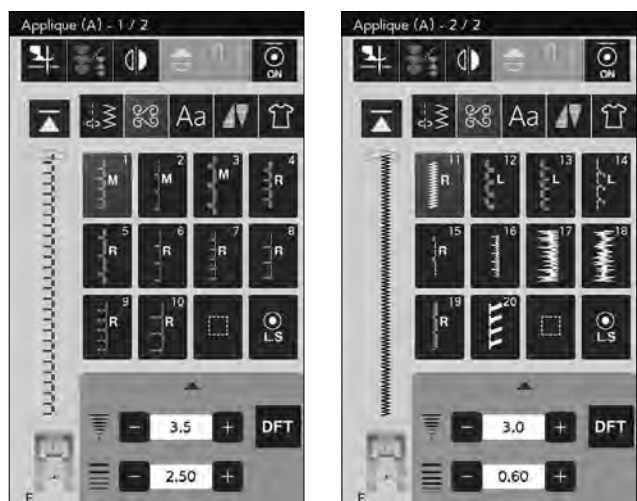
NOTE:

The decorative stitch selection window is composed of multiple pages. Press page keys to switch the decorative stitch selection window.

(2) Page keys



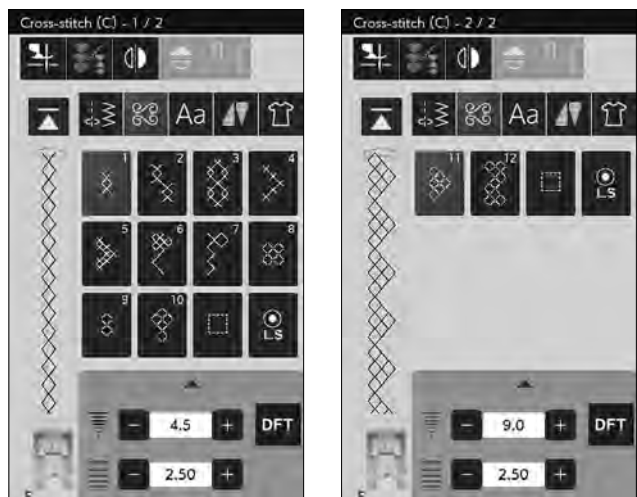
(3)



(3) Applique (A): 2 pages

Stitches in this group are for applique (refer to pages 132-133).

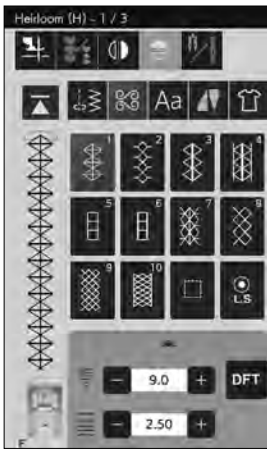
(4)



(4) Cross-stitch (C): 2 pages

This group provides cross-stitches for craft sewing and home décor.

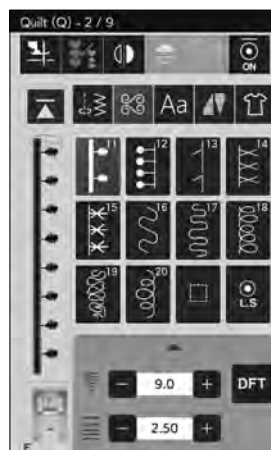
(5)



(5) Heirloom (H): 3 pages

This group provides heirloom stitches for craft sewing and home décor.

(6)



(6) Quilt (Q): 9 pages

Stitches in this group are for patchwork and quilting (refer to pages 78-79, 125-135).

(6)



(7)

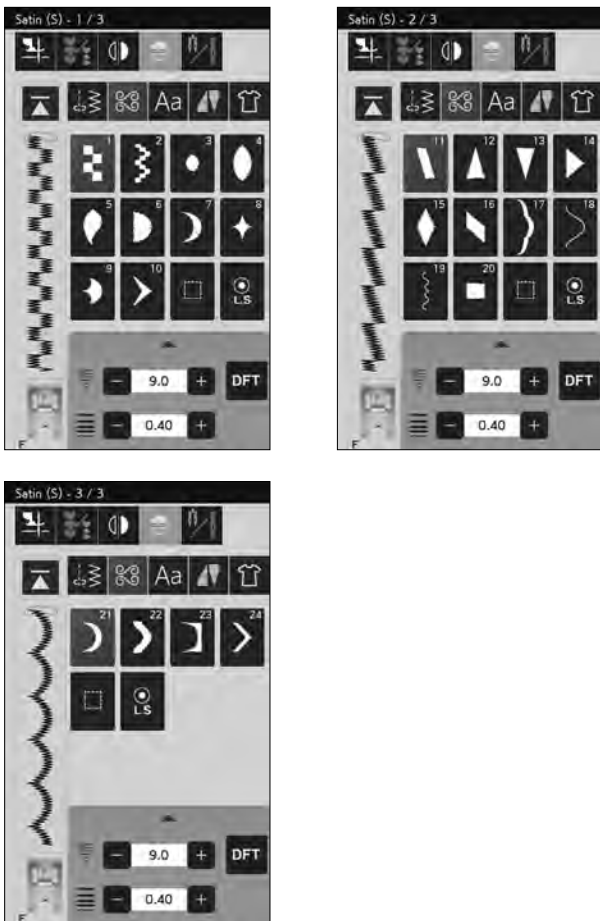


(6) Quilting stitches (Q) (continued from previous page)

(7) Quilt Style (QS): 2 pages

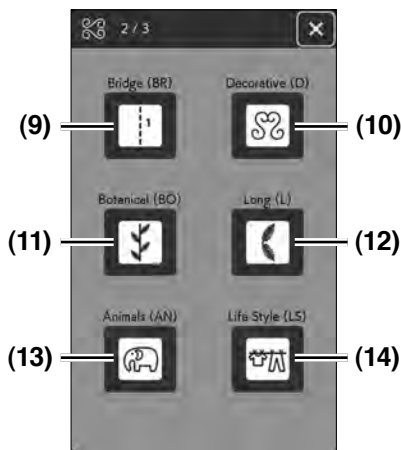
There are stitch patterns created from quilt blocks in this group.

(8)



(8) Satin (S): 3 pages

The stitches in this group can be elongated up to 5 times their original length while the stitch density remains the same (refer to page 79).



(9)



(10)



(9) Bridge (BR): 1 page

Bridge stitches are used for inserting straight stitches after a stitch pattern.

The number beside the stitch image on the straight stitch key indicates the stitch count of a programmable unit. Patterns BR5, BR6 and BR8 will inherit the needle drop position and stitch length of the previous pattern in the programmed pattern combination (refer to page 85).

(10) Decorative (D): 6 pages

50 attractive patterns are available in this group. Patterns in this group are ideal for decorating.

(12)



(12) Long (L): 2 pages

Patterns in this group are ideal for decorating garments and for adding border trims.

(13)



(13) Animals (AN): 1 page

There are patterns of animals in this group.

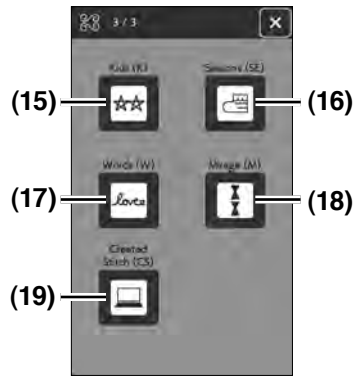
(14)



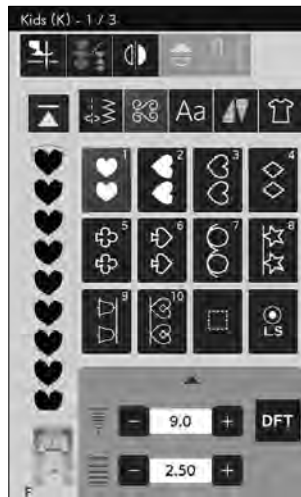
(14) Life Style (LS): 3 pages

There are patterns related to lifestyle in this group.





(15)



(15) Kids (K): 3 pages

There are patterns for kids in this group.

(16)



(16) Seasons (SE): 2 pages

There are patterns related to seasons in this group.

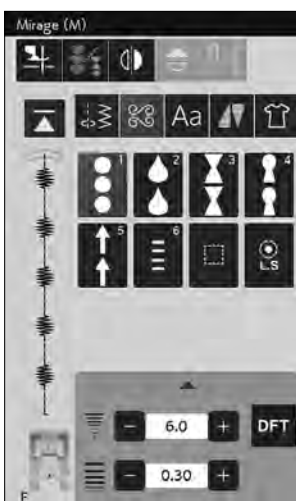
(17)



(17) Words (W): 1 page

There are word patterns in this group.

(18)



(18) Mirage (M): 1 page

This group provides satin patterns without connecting straight stitches (refer to page 80).

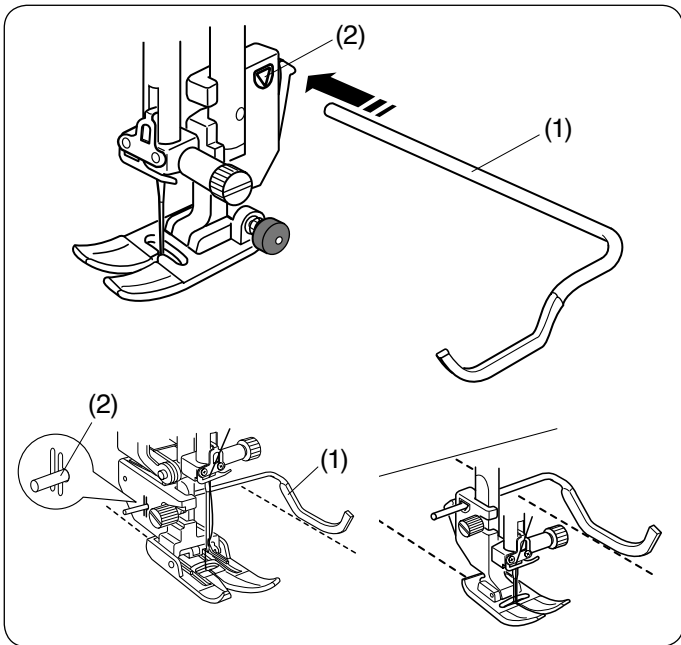
(19)



(19) Created Stitch (CS): 1 to 5 pages

In this section, you can select original stitch patterns created with StitchComposer.

Refer to page 81 for how to transfer created stitch patterns from a PC to the machine.



Quilting

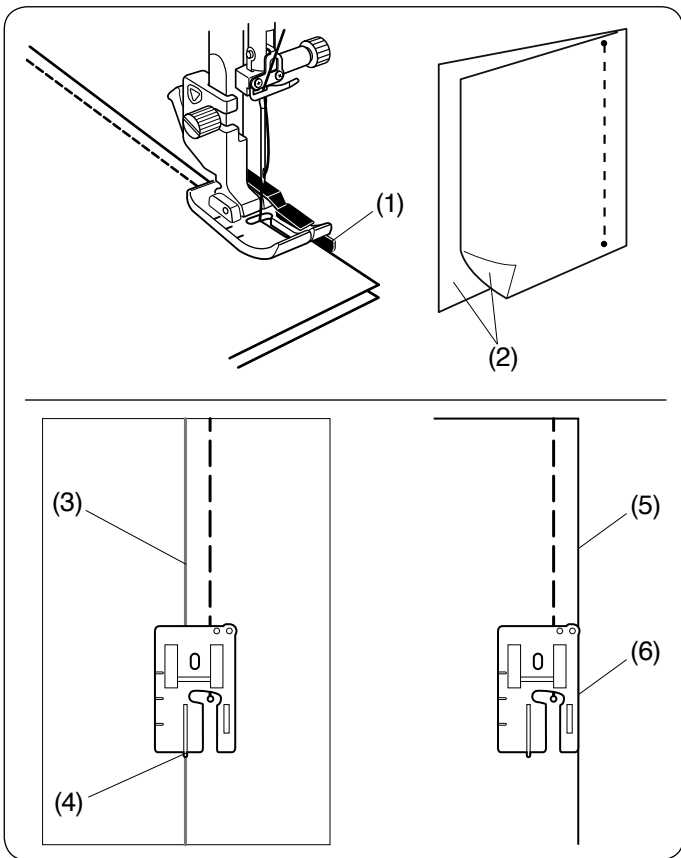
Using the Quilting Guide Bar

The quilting guide bar is helpful when sewing parallel, evenly spaced rows of stitches.

Insert the quilting guide bar into the hole in the back of the foot holder. Slide the quilting guide bar and set it to the desired spacing.

- (1) Quilting guide bar
- (2) Hole

Sew rows of stitches while tracing the previous row of stitches with the quilting guide bar.



Q1-Q3 Patchwork Piecing

Patterns Q1 to Q3 are special stitches for seaming patchwork pieces.

Patterns Q2 and Q3 are for patchwork piecing with 1/4" and 7 mm seam allowances respectively.

Use 1/4" seam foot O.

Place the patchwork pieces with the right sides together. Sew while guiding the edge of fabric along the guide.

- (1) Guide
- (2) Right side of the fabric

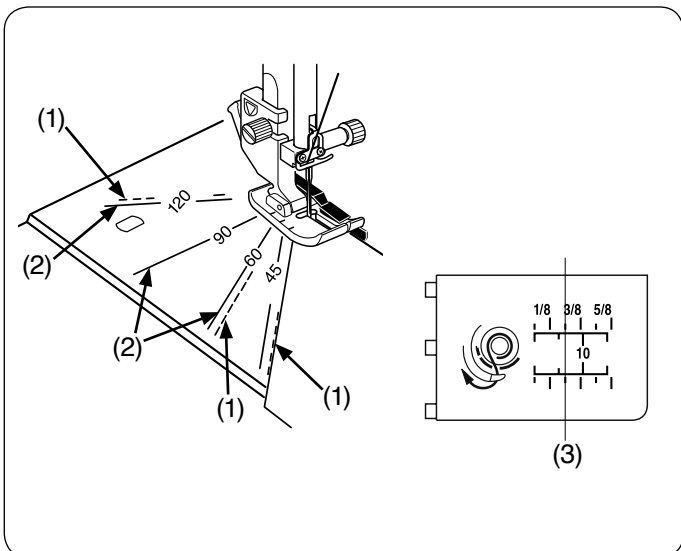
You can sew a 1/4" allowance from the guide line with 1/4" seam foot O (without guide) as shown.

Align the guide line with the 1/4" guide of the foot and sew.

- (3) Guide line
- (4) 1/4" guide

To sew 1/4" seam allowance from the right fabric edge, align the right edge of the foot and the edge of the fabric and sew.

- (5) Right fabric edge
- (6) Right edge of the foot



Angle Scales on the Needle Plate

You can easily seam patchwork pieces at the desired angle without marking, by using the angle scales on the needle plate.

The angle scales are marked at 45, 60, 90 and 120 degrees.

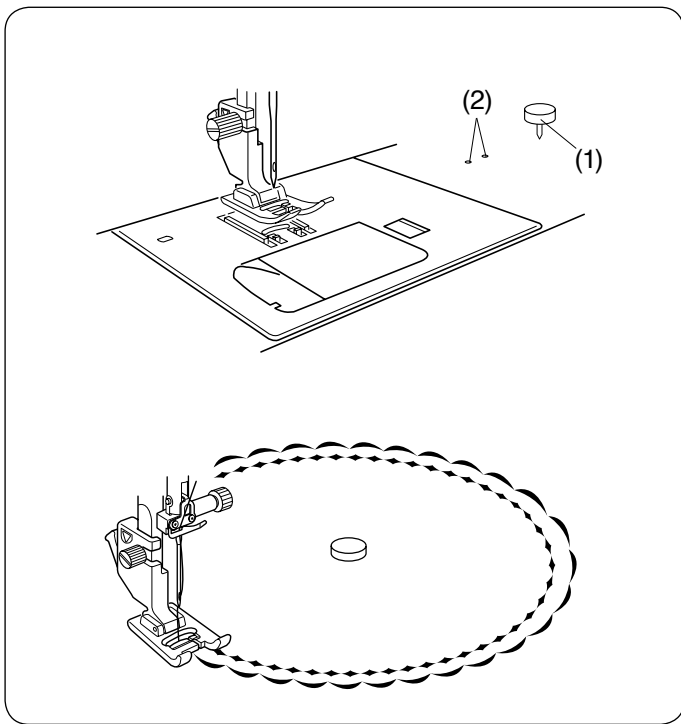
Use the broken lines when piecing the patchwork pieces with 1/4" seam foot O as illustrated.

- (1) Broken line

NOTE:

Use the solid lines when piecing the patchwork pieces with zigzag foot A. Align the edge of the fabric to the 1/4" seam guide line.

- (2) Solid line
- (3) 1/4" seam guide line



Circular Sewing

The circular pivot pin is inserted into free arm and provides a pivot point to sew perfect curves or circles for doilies or large scallops.

Select a desired decorative stitch.

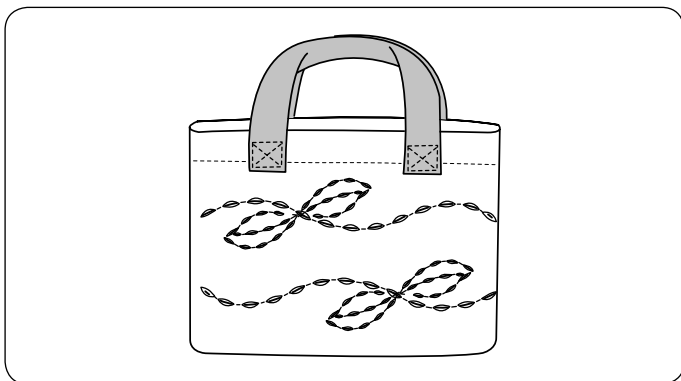
Fold fabric into quarters to determine center. Pierce center of fabric with pivot pin. Insert pivot pin into hole on the free arm.

Lower presser foot and sew. Smooth the fabric out evenly from the center to the front of the foot by hand.

- (1) Circular pivot pin
- (2) Holes for circular pivot pin

NOTE:

Light to medium weight fabrics will need a stabilizer to sew the circle/curve correctly.

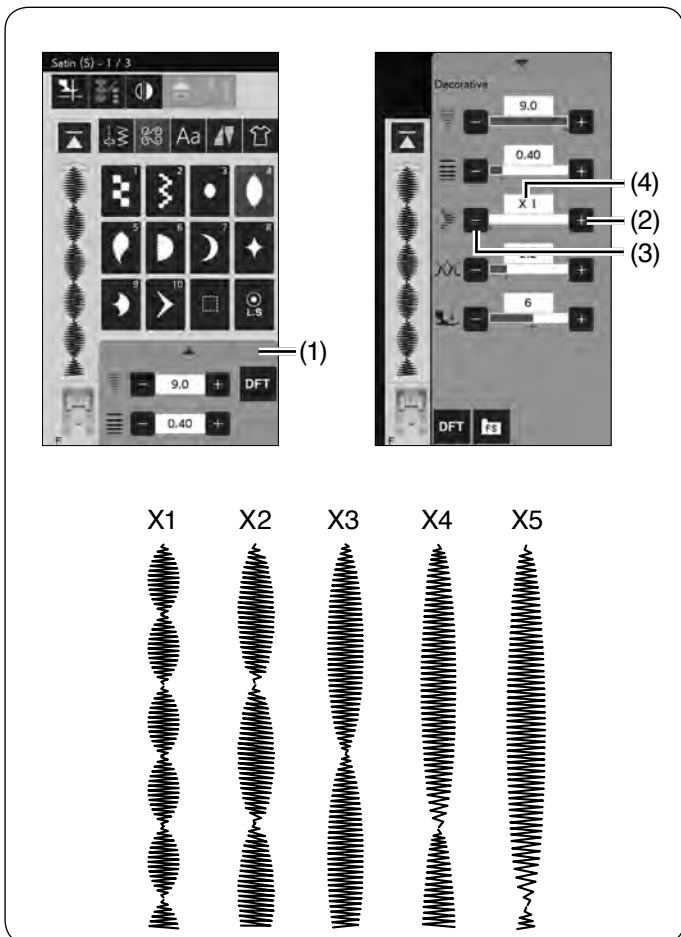


Q76-Q79 Hand-look Quilt Stitches

Patterns Q76 to Q79 are special stitches for quilting which look like hand sewn stitches.

Use a transparent nylon thread for the needle and ordinary sewing thread for the bobbin.

The bobbin thread is pulled up on the right side of the fabric and the stitches look as if they were sewn by hand.



Satin Stitches

Elongation Ratio

Patterns S1 to S24 are decorative satin stitches for which the pattern length can be elongated without changing the stitch density.

Press the setting bar to expand the manual setting window.

- (1) Setting bar

Press the "+" key to elongate the stitch pattern.

- (2) "+" key

To reduce the elongation ratio, press the "-" key.

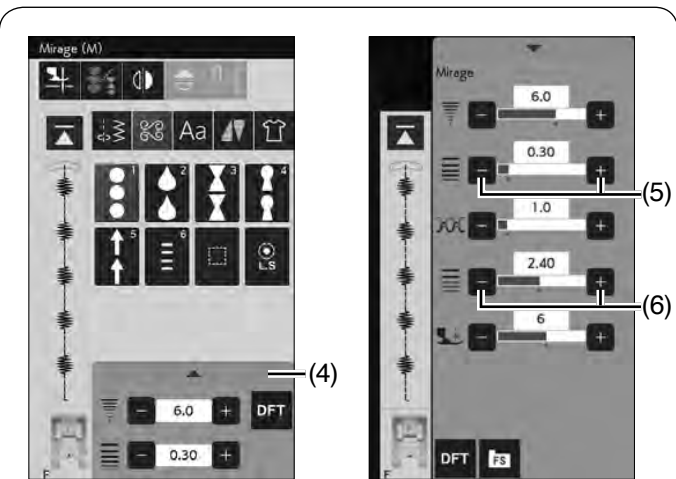
- (3) "-" key

The pattern can be elongated up to 5 times the original length.

The elongation ratio is indicated in the box.

- (4) Elongation ratio

You can also alter stitch density and stitch width.



Mirage Stitches

Sew Mirage stitch and open the fabric to make patterns without connecting straight stitches.

NOTE:

Use a medium fabric (such as sheeting, broadcloth) for Mirage stitch patterns. Using fine fabrics may cause wrinkles when opened.

There are two ways to sew the Mirage stitch patterns (sewing on one or two pieces of fabric).

A: Sewing on one piece of fabric

Fold the fabric with the right sides together. Place a sheet of stabilizer under the fabric.

- (1) Right side of the fabric
- (2) Sheet of stabilizer

Attach satin stitch foot F to the machine.

Sew the Mirage patterns with the marker on the presser foot along the fabric edge as shown.

Sew the connecting straight stitches on the right side of the fabric edge (on the sheet of stabilizer) as shown.

- (3) Marker

In the Mirage stitch, you can adjust the stitch length of the decorative stitch part and connecting straight stitch part separately.

Press the setting bar to expand the manual setting window.

- (4) Setting bar

Adjust decorative stitch length adjustment key or connecting straight stitch adjustment key.

- (5) Decorative stitch length adjustment key
- (6) Connecting straight stitch adjustment key
- (7) Decorative stitch
- (8) Connecting straight stitch

B: Sewing on two pieces of fabrics

Sew the fabric this way when you want to use two different fabrics on the right and left.

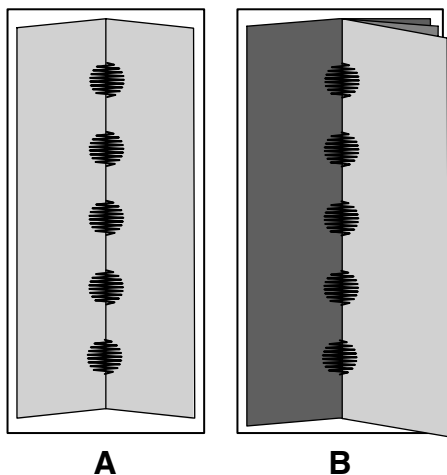
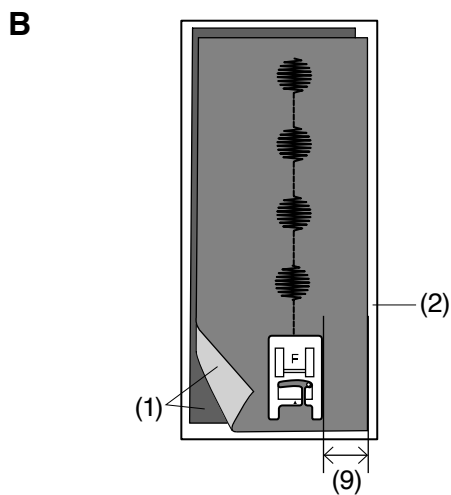
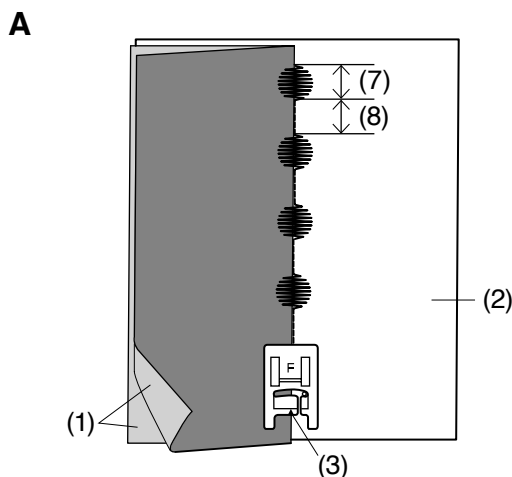
Place two pieces of fabric with the right sides together. Place the sheet of stabilizer under the fabric.

- (1) Right side of the fabric
- (2) Sheet of stabilizer

Sew the fabric while keeping a constant seam allowance.

- (9) Seam allowance

Open the fabric flat to hide the connecting straight stitches.

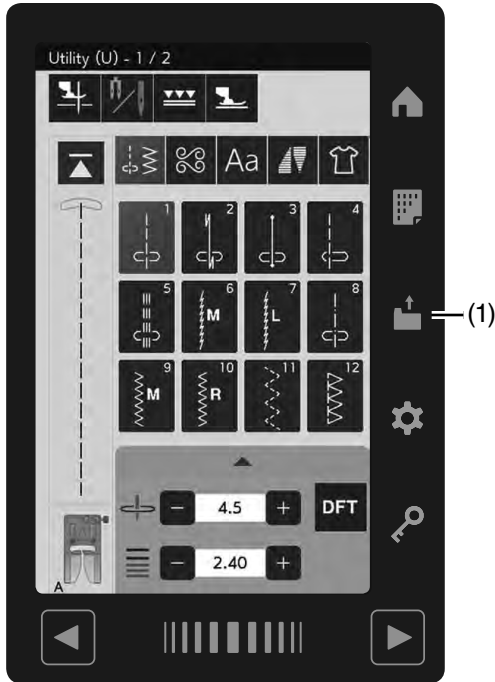


Created Stitches

Original stitch patterns created with StitchComposer are saved in this group.

Insert the USB flash drive containing the original stitch patterns and press the open file key.

(1) Open file key



Select the USB key and the folder list will appear. Select the desired folder to open and the file list will appear.

Select the desired file to save the original stitch pattern. Saved stitch pattern will appear as the pattern selection key.

You can select, program and sew these patterns the same way as with the built-in stitch patterns.

(2) USB key

NOTE:

- This model supports FAT16 and FAT32 formats only. If the USB flash drive is not read, check its format (refer to pages 152-153).
- Do not use a USB card reader and USB hub.



To delete a pattern, press the delete key and select the pattern to delete.

A confirmation message will appear.

Press the OK key to delete the pattern.

(3) Delete key

NOTE:

- Up to 60 patterns can be saved in this group.
- Twin needle sewing is not available for the created stitches.





Twin Needle Sewing

Some of the utility stitches and decorative stitches can be sewn with a twin needle.

Press the twin needle key and select the desired pattern.

Patterns not suitable for twin needle sewing cannot be selected (pattern selection keys are grayed out).

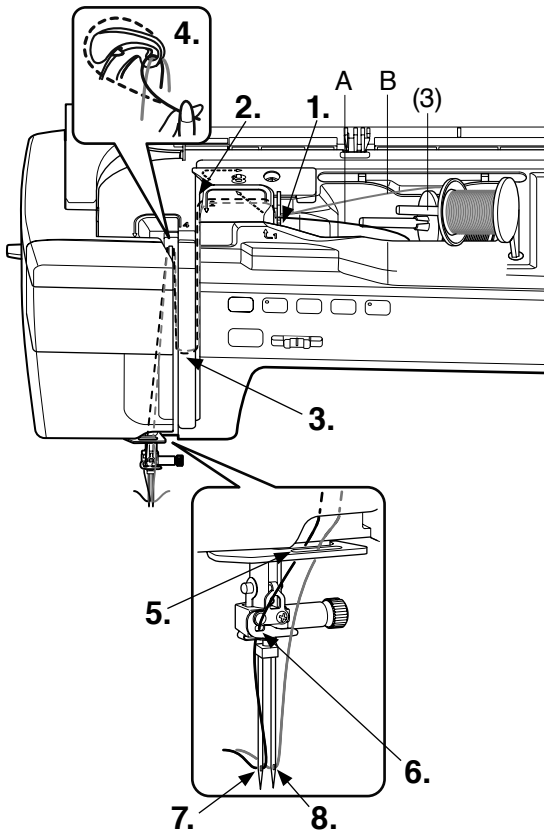
Buttonholes, specialty stitches, monogram and tapering cannot be selected.

(1) Twin needle key

- NOTE:**
- When you sew patterns with the twin needle, test the stitches first before you sew on the garment.
 - Use zigzag foot A or satin stitch foot F for twin needle sewing.
 - Use the threads #60 or finer.
 - When changing the sewing direction, raise the needle and presser foot then turn the fabric (foot up for pivoting option is not available when the twin needle is selected).
 - Use the thread cutter on the face plate when cutting threads.

Replace the needle with the twin needle supplied with the standard accessories (refer to page 27).

- CAUTION:**
- Press the lockout key before changing the needle.
 - Do not use twin needles other than the ones included in the standard accessories, otherwise the needle may hit the needle plate, foot or hook and break.
- (2) Lockout key



Insert the extra spool pin into the hole under the top cover.
Place a spool of thread on the extra spool pin and the spool stand (refer to page 20).

(3) Extra spool pin

Draw both threads from the spools and pass them through the threading points from 1. to 4.

Slip the thread A* through the lower thread guide 5., then pass through points 6. and 7. as illustrated.

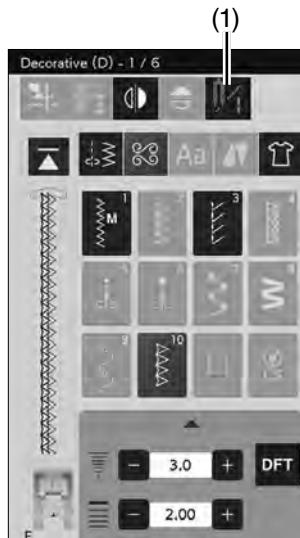
Thread the thread B* through the front hole of lower thread guide 5., then pass it through the needle hole 8.

Make sure that the two strands of thread from the spools do not get tangled.

* A: Thread from spool pin, B: Thread from extra spool pin.

NOTE:

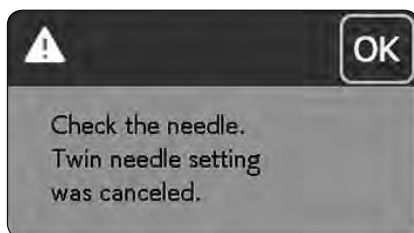
- Threading from points 1. to 4. is the same as for a single needle (refer to pages 23-24).
- The needle threader cannot be used with the twin needle.



After twin needle sewing is finished, press the twin needle key and the warning message will appear.

(1) Twin needle key

Replace the twin needle with a single needle and press the OK key.



PROGRAMMING A PATTERN COMBINATION

The patterns in the decorative stitch category and monograms can be programmed to make a pattern combination.

You can program up to 100 patterns in each combination by pressing the program key.

The images of programmed patterns are shown on the left side of the visual touch screen.

(1) Program key

Mirror Image of Patterns

To sew or program the pattern as a mirror image, press the vertical mirror image key or horizontal mirror image key.

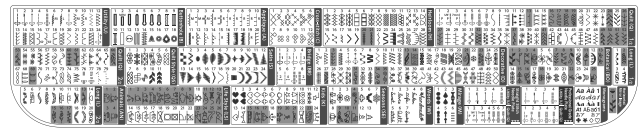
Select the desired patterns to create the mirror image. Press the vertical or horizontal mirror image key again to cancel the mirror image function.

(2) Vertical mirror image key

(3) Horizontal mirror image key

NOTE:

- Horizontal mirror image is available only for specific patterns. For pattern identification, these patterns are colored in blue on the reference chart inside the top cover.



- The vertical or horizontal mirror image key will gray out when the selected pattern is not suitable for the mirror image.

To view the entire pattern combination, press the cursor keys to scroll over the pattern combination or press the preview key to show the entire pattern combination at a glance.

Press the function switch key to show the preview key.

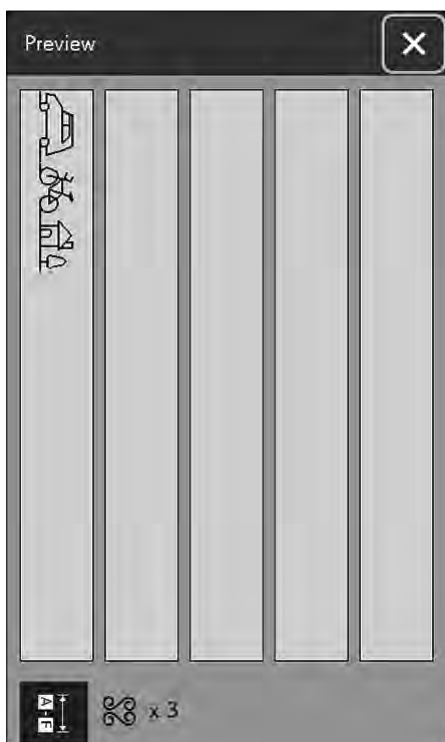
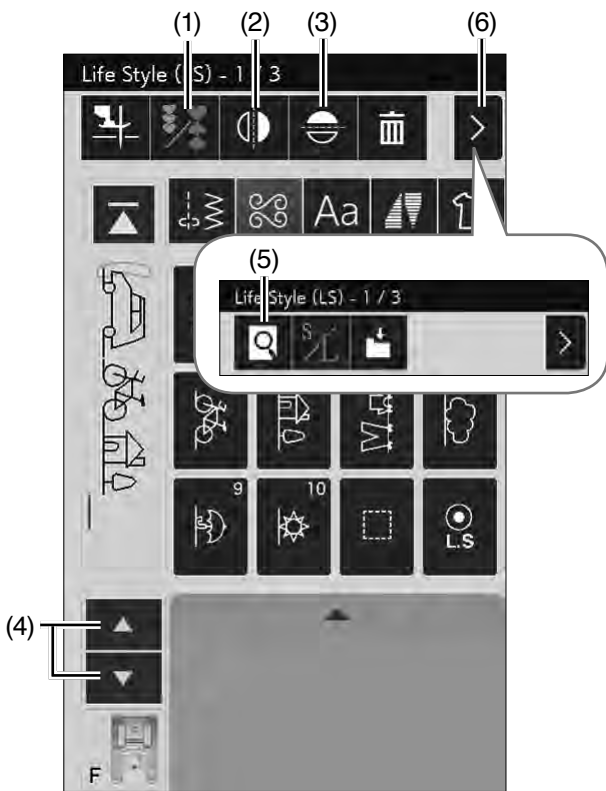
(4) Cursor keys

(5) Preview key

(6) Function switch key

NOTE:

Presser foot pressure cannot be adjusted to the stitch patterns of a pattern combination individually. If you attempt to do so, only the last pattern's presser foot pressure settings are applied to all the programmed patterns.





Bridge Stitches

Bridge stitches are used for inserting straight stitches after a stitch pattern.

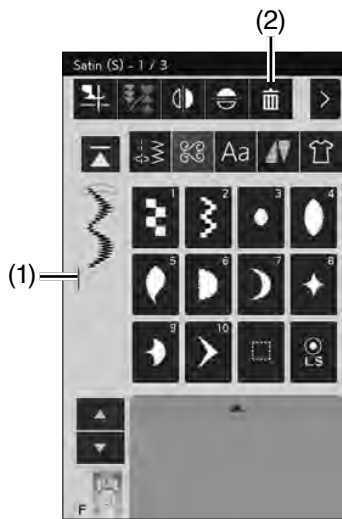
The number beside the stitch image on the straight stitch key indicates the stitch count of a programmable unit.

If you want more space between French knots (D5), for example, insert pattern BR5 after pattern D5.

Two counts of straight stitches are added to pattern D5.

NOTE:

Patterns BR5, BR6 and BR8 will inherit the stitch length and needle drop position of the previous pattern in the pattern combination.



Editing a Pattern Combination

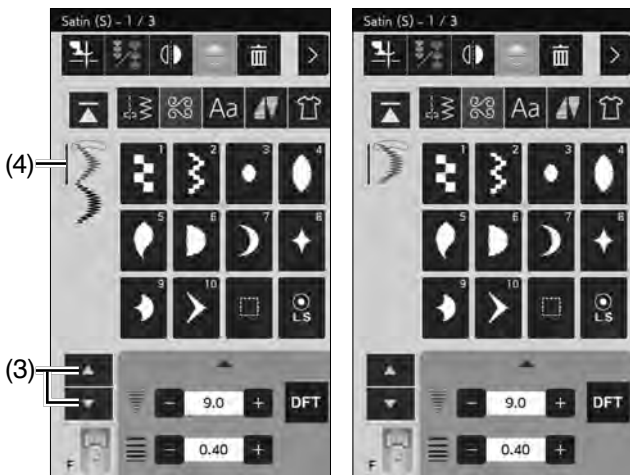
The programmed pattern (pattern combination) can be edited in the programming mode.

You can insert, delete or flip the stitch pattern by selecting the stitch with the cursor. You can also adjust the stitch width and stitch length.

Deleting a Pattern

The pattern before the cursor or shown in blue is deleted by pressing the delete key.

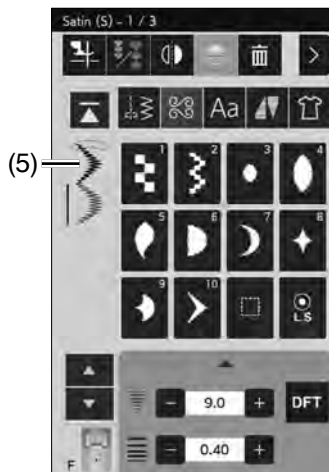
- (1) Cursor
- (2) Delete key



To delete a pattern in the middle of a combination, press the cursor keys to select the pattern you wish to delete.

The stitch image of the selected pattern turns blue. Press the delete key to delete the selected pattern.

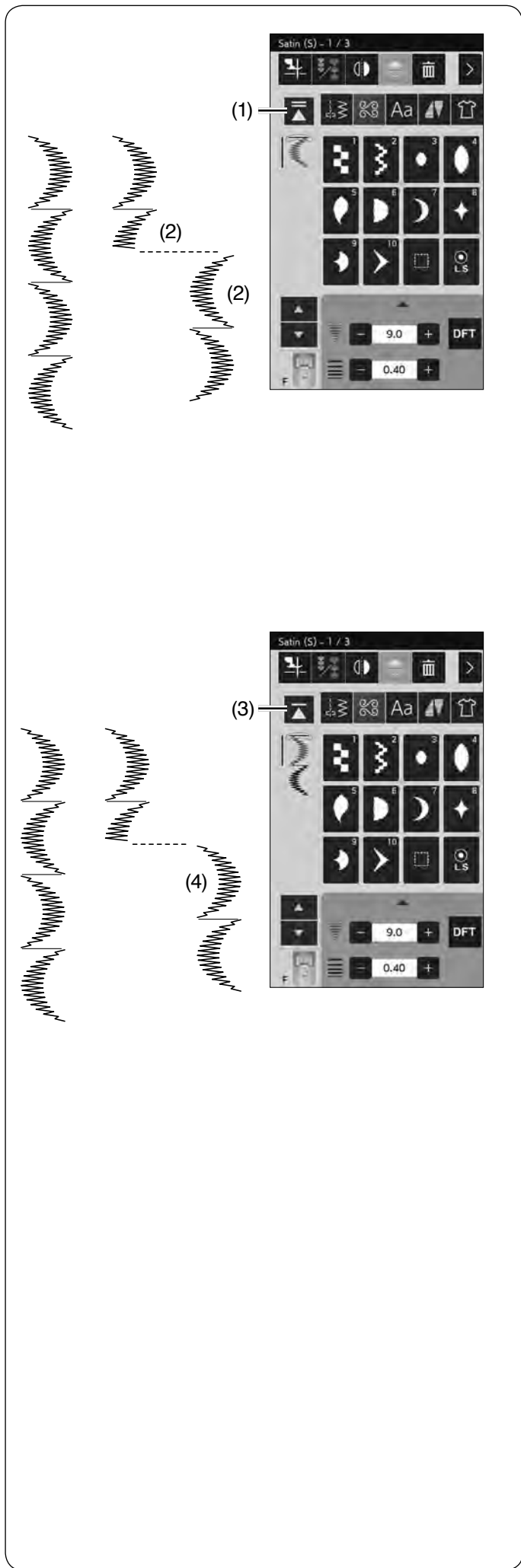
- (3) Cursor keys
- (4) Selected pattern



Inserting a Pattern

Press the cursor keys to select the pattern next to where you wish to insert a pattern. Enter the desired pattern to insert it before the selected pattern.

- (5) Inserted pattern



Startover Key

This is a 2-way function key to start sewing a pattern combination over from the beginning.

When you stop sewing a pattern combination, the startover key is activated.

Current pattern startover

If you wish to start sewing from the beginning of the current pattern, press the startover key once and start the machine. The key will change and show a triangle and double bar that means the machine will start over from the current pattern of the combination.

- (1) Startover key (current pattern of the combination)
- (2) Current pattern

NOTE:
When you stop sewing a pattern combination during the first pattern and press the startover key, the number of the bar above the triangle will not change because the pattern will be sewn from the first pattern.

First pattern startover

The key shows a triangle and single bar that means the machine will start over from the first pattern.

If you wish to start sewing from the beginning of the first pattern of the combination, press the startover key twice and start the machine.

- (3) Startover key (first pattern of the combination)
- (4) First pattern

NOTE:
If auto thread cutting is done, the machine will startover from the first pattern.

Checking Pattern Combination Length

You can check the total length of the pattern combination by pressing on the pattern combination length key indicated in the preview window.

Press the function switch key. Press the preview key and the preview window will open.

- (1) Function switch key
- (2) Preview key
- (3) Pattern combination length key

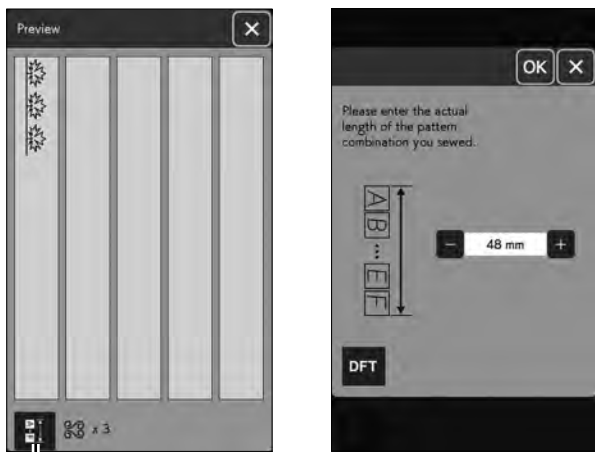
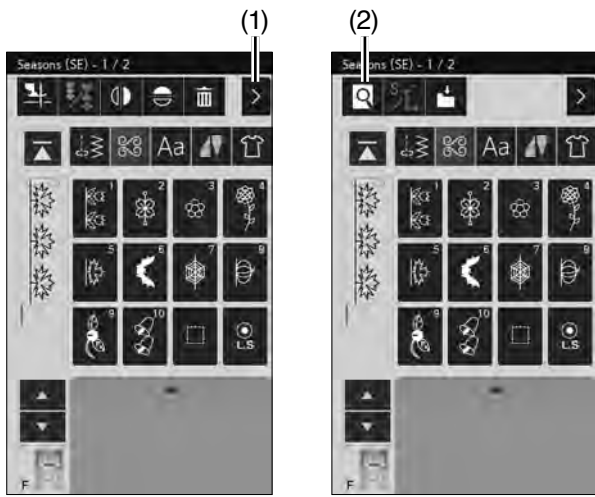
The readout of the total length is a theoretical value and the actual length may vary depending on sewing conditions.

For example, select pattern SE5 three times, and sew a pattern combination.

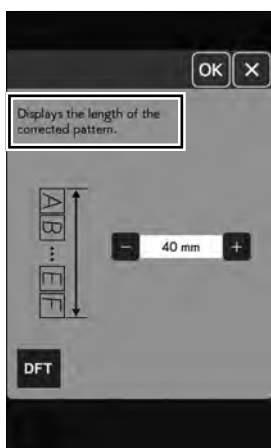
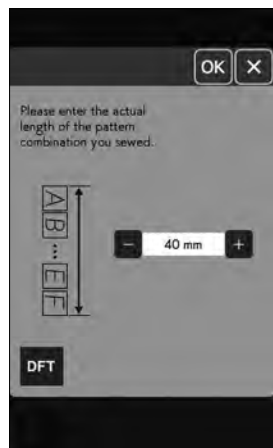
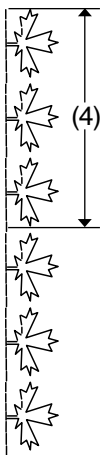
If the actual length differs considerably from the readout, measure the actual length and enter the nearest value by pressing the “+” or “-” key.

In this case, the theoretical value is 48 mm. However, if the actual length is 40 mm, enter 40 mm by pressing the “-” key. Press the OK to register it.

- (4) Actual length

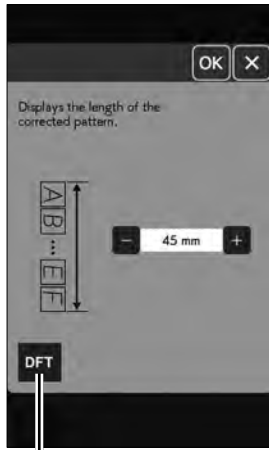


(3)



The readout is adjusted automatically when calculating the length of other pattern combinations.

The message “Displays the length of the corrected pattern.” appears to indicate that the displayed value is adjusted already.



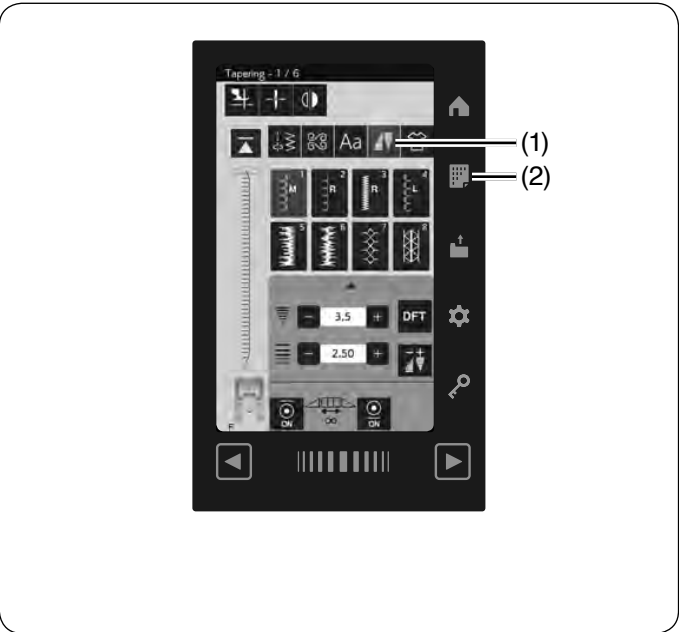
(5)

For example select patterns LS4, LS6 and SE5.

The theoretical value is 54 mm. However, the read out is calculated according to the measured actual length. In this case, the adjusted value is 45 mm.

Press the default key to clear the entered length.

(5) Default key



Tapering

You can taper the beginning and end of the decorative stitch patterns to create tapered corners and points. Press the tapering key to enter the tapering mode.

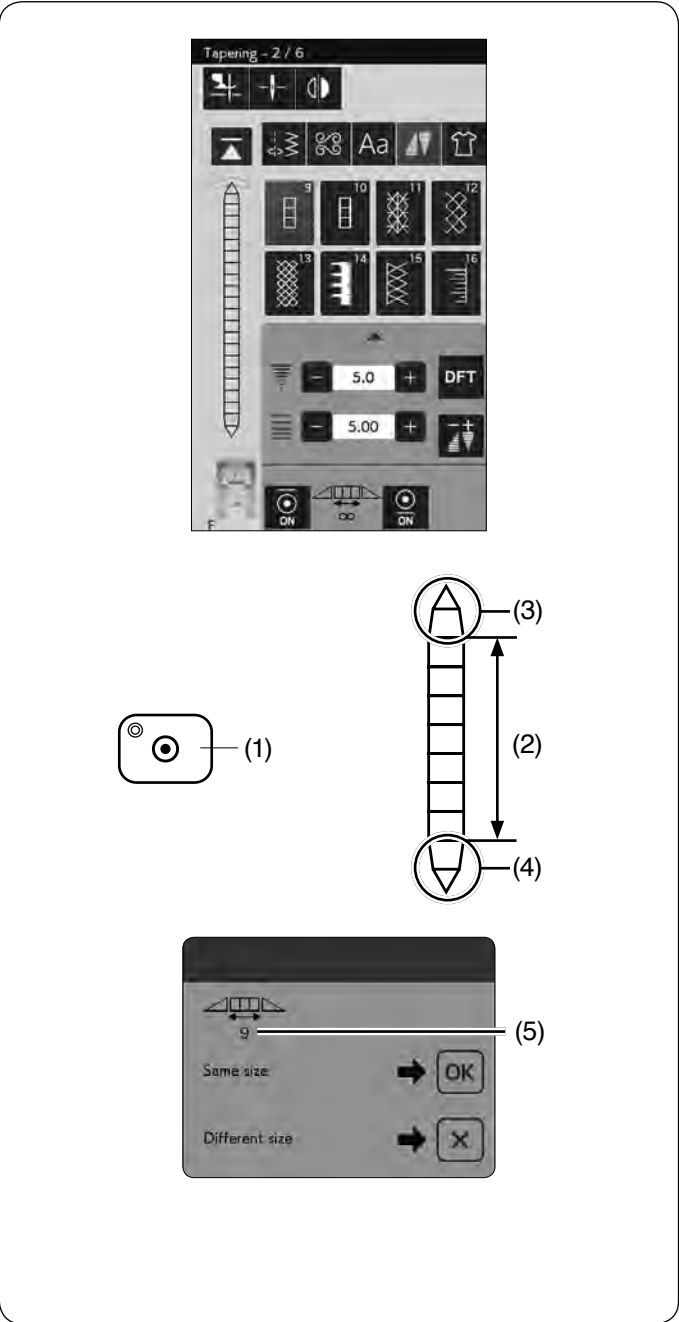
- (1) Tapering key

Press the stitch reference key to show the stitch reference chart for tapering (refer to page 19).

- (2) Stitch reference key

NOTE:

- The tapering length varies depending on the stitch pattern and its tapering shape. Make a test stitch on an extra piece of the fabric to check the tapering length.
- If you stop the machine while sewing and change the stitch width, needle drop position or stitch length, the machine will start tapered sewing from the beginning.



Tapered Stitch Sample 1

Example: To sew tapered stitch pattern #9

Select stitch pattern #9. Start the machine. The machine sews the start tapering pattern and pattern body.

Sew to the required length, then press the auto-lock button. The machine sews the end tapering pattern and stops.

- (1) Auto-lock button
- (2) Required length
- (3) Start tapering pattern
- (4) End tapering pattern

NOTE:

When you press the reverse button while sewing, the machine will sew several locking stitches in place, then stop sewing automatically. The tapering pattern is not completed.

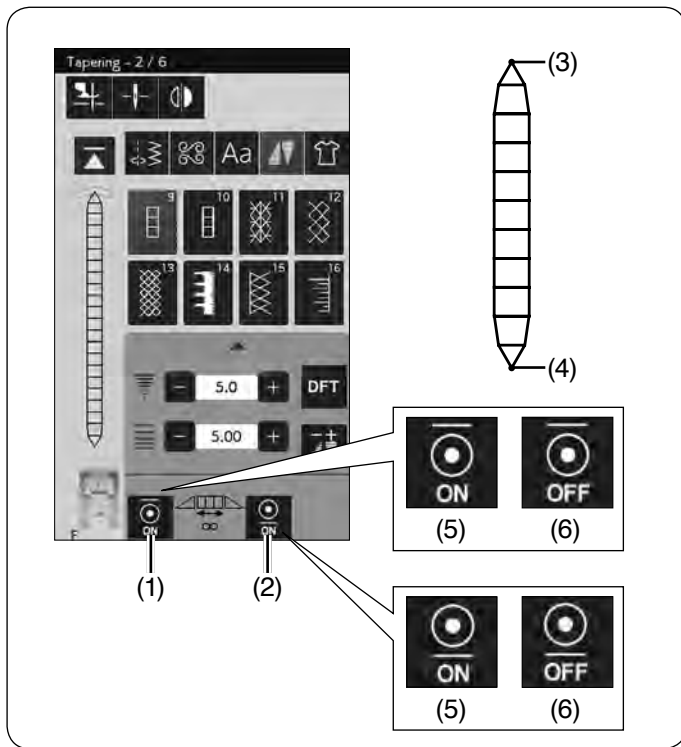
To sew the same sized tapered pattern

When finished sewing, a confirmation message will appear. The number shown indicates the number of the body patterns.

- (5) Number of the body patterns

Press OK and simply start the machine to sew another tapered pattern of the same size.

To sew the same tapered pattern in a different size, press the X key.

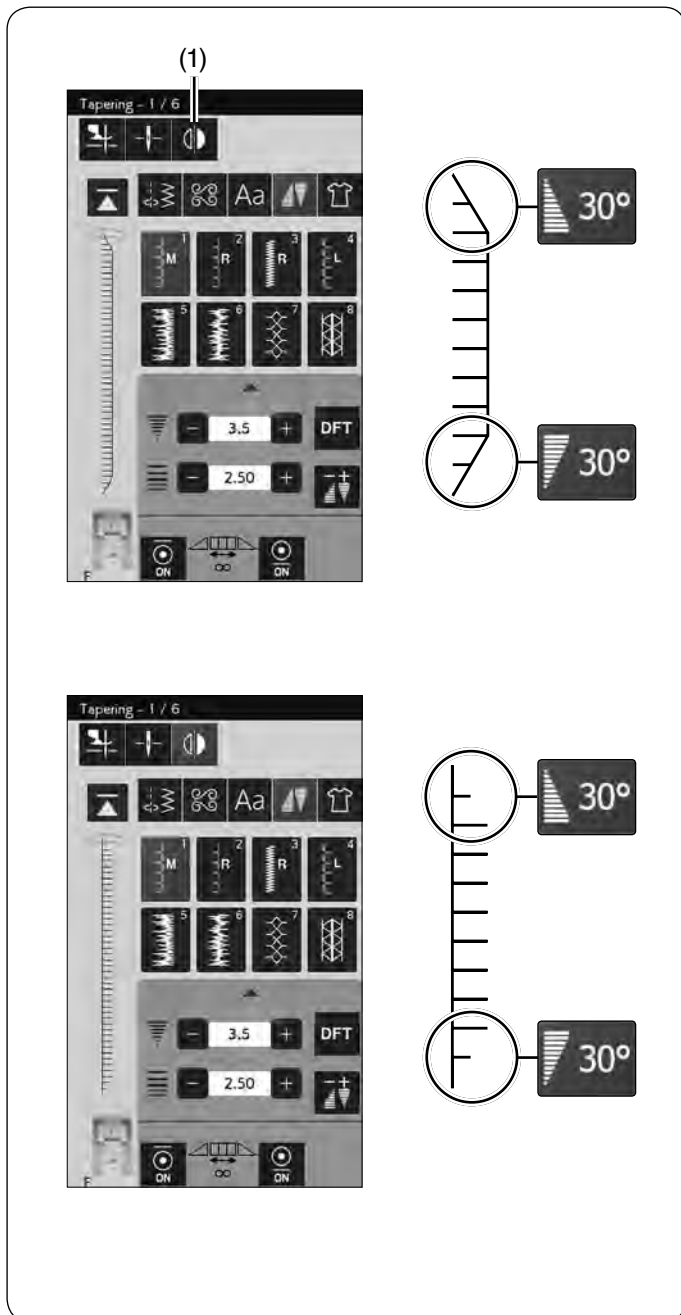


Auto-lock Stitch Function

The machine sews auto-lock stitch at the beginning and end of the sewing with the default settings.

However, you can turn on or off the auto-lock stitches by pressing the corresponding auto-lock keys on the visual touch screen.

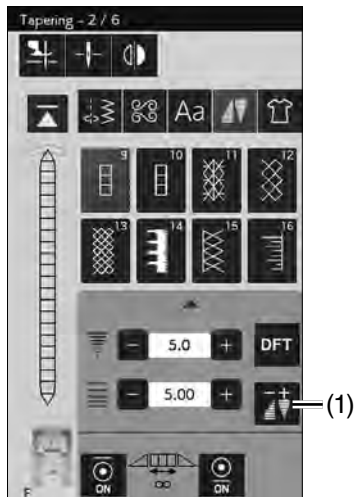
- (1) Initial lock stitch key
- (2) End lock stitch key
- (3) Initial lock stitch
- (4) End lock stitch
- (5) Lock stitch key (ON)
- (6) Lock stitch key (OFF)



Flipping a Tapered Pattern 1

Press the static flip key to flip a tapered pattern vertically without flipping its start and end tapering degree angle.

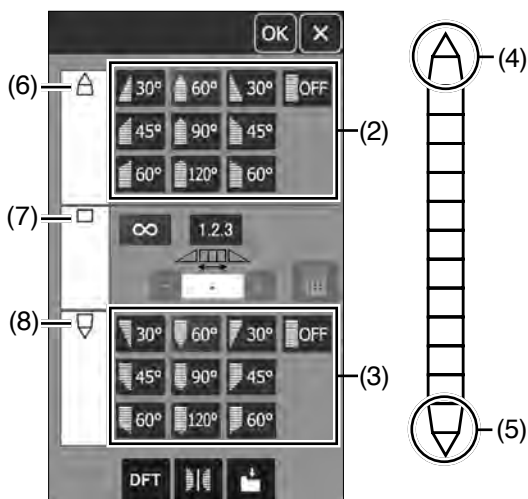
- (1) Static flip key



Adjustment of Tapered Stitches

You can adjust the shape of the tapered stitch pattern. Press the tapering adjustment key. The tapering adjustment window will open.

- (1) Tapering adjustment key



Tapering shape

Select the shape of the tapering for the beginning and the end of the stitch patterns by pressing the tapering shape keys.

The keys on the top are for start tapering pattern. The keys on the bottom are for end tapering pattern.

- (2) Tapering shape keys (for start tapering pattern)
- (3) Tapering shape keys (for end tapering pattern)
- (4) Start tapering pattern
- (5) End tapering pattern

The numbers in the tapering shape keys indicate the degree of tapering. You can apply the tapering alignment from left, center, right or off. The start and end of the stitch patterns can be aligned separately.

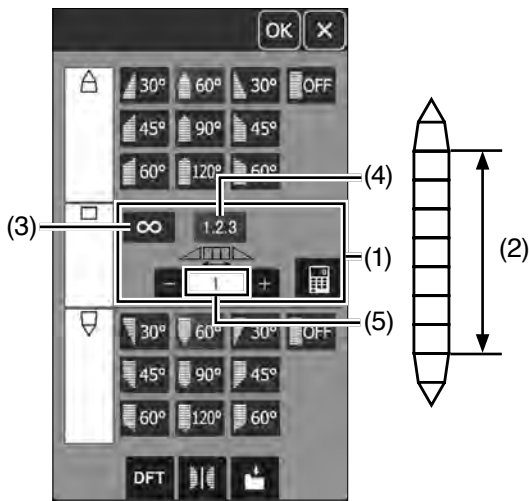
The shape of the selected tapering pattern will be displayed on the left side of each column.

The upper column shows the start tapering pattern. The middle column shows the pattern body. The lower column shows the end tapering pattern.

- (6) Start tapering pattern
- (7) Pattern body
- (8) End tapering pattern

Pattern body length

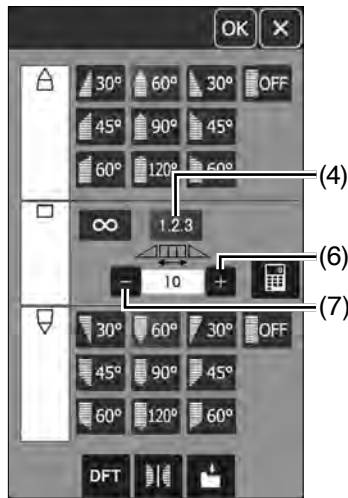
The keys on the middle are for pattern body length. The machine sews the pattern body as long as the auto-lock key is pressed when the free length key is turned on. However, you can set the number of the pattern body to be sewn by pressing the pattern length key.



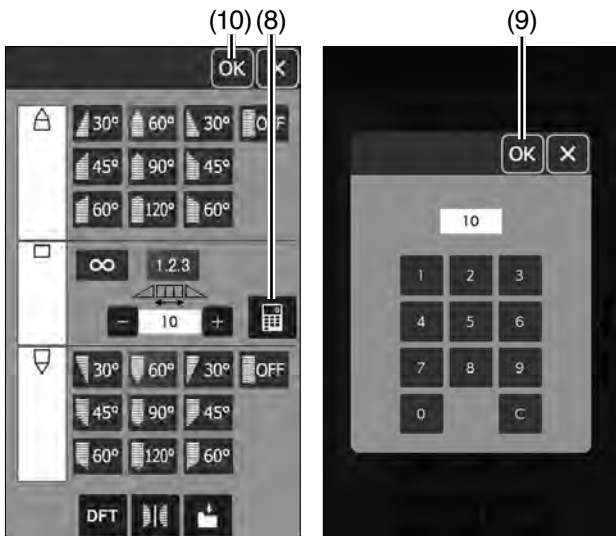
- (1) Keys on the middle
- (2) Pattern body
- (3) Free length key
- (4) Pattern length key
- (5) Number of the body patterns

Press the pattern length key.

Press the “+” or “-” key to set the number to repeat the pattern body.



- (4) Pattern length key
- (6) “+” key
- (7) “-” key



You can also set the number to repeat the pattern body by pressing the numeric pad key.

Press the numeric pad key and the numeric keypad window will open.

Enter the desired pattern length and press the OK key.

- (8) Numeric pad key
- (9) OK key

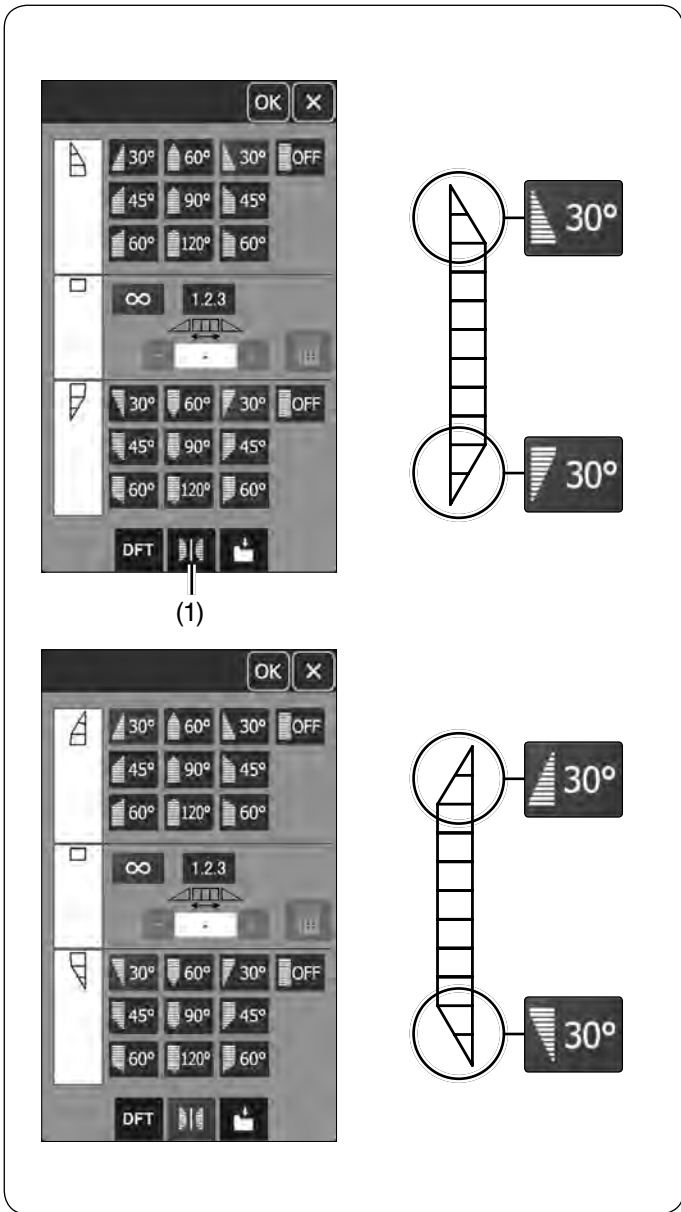
After the shape of the tapered stitch pattern is selected, press the OK key to apply the tapered stitch pattern.

- (10) OK key

Flipping a Tapered Pattern 2

Press the mirror image key to flip a tapered pattern vertically.

- (1) Mirror image key

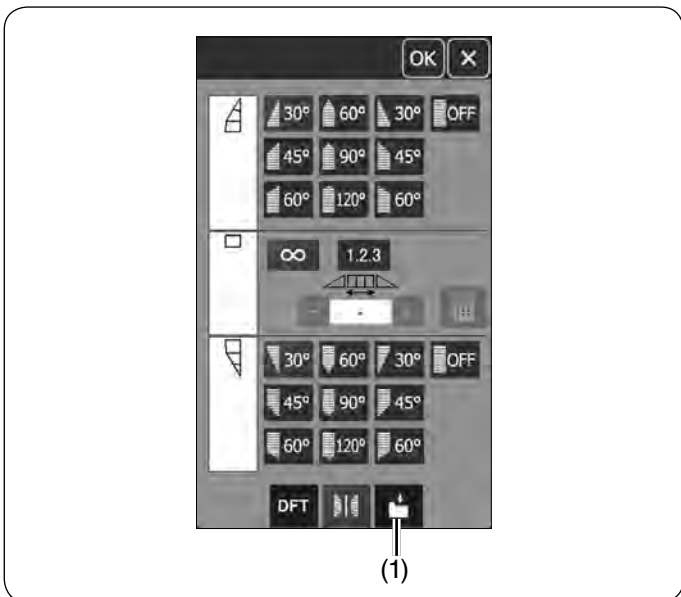


Saving tapered stitches

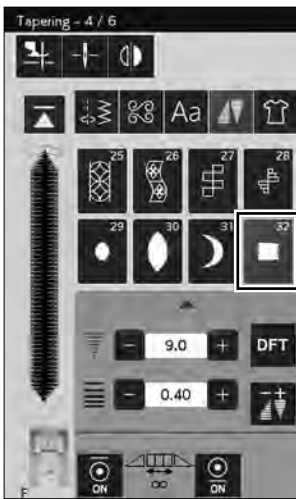
The customized tapered patterns can be saved as a file in the machine's internal memory or a USB flash drive.

Press the save file key after customizing a tapered stitch. The tapered stitch file is saved as a *.JCS file. To save or open the file refer to pages 100-102.

- (1) Save file key



1.

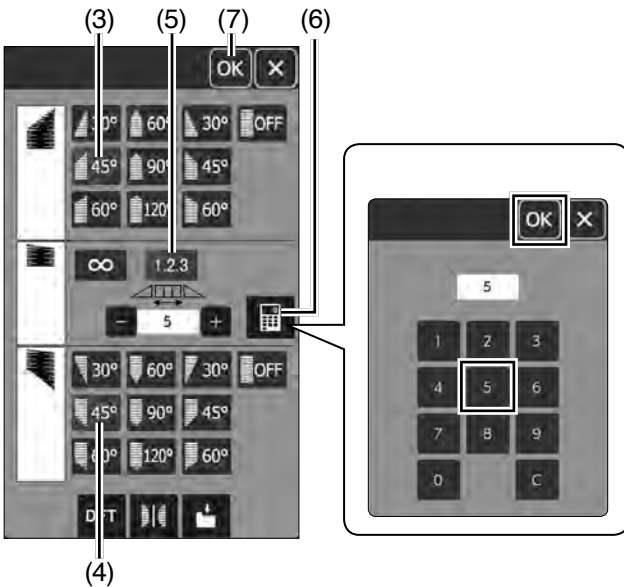


2. 3.



(1) (2)

4.



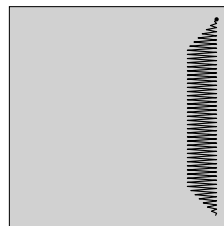
(4)

5.



(9)

6.



Tapered Stitch Sample 2

Example: To create a corner frame with tapered stitch pattern #32

1. Select stitch pattern #32.
2. Press the end lock stitch key to turn off the end lock stitch.
 - (1) End lock stitch key
3. Press the tapering adjustment key.
 - (2) Tapering adjustment key

4. Press the tapering shape key (for start tapering pattern).

Press the tapering shape key (for end tapering pattern).

Press the pattern length key.

Press the "+" key 4 times or press the numeric pad key and enter "5" (refer to page 93).

Press the OK key.

- (3) Tapering shape key (for start tapering pattern)
- (4) Tapering shape key (for end tapering pattern)
- (5) Pattern length key
- (6) Numeric pad key
- (7) OK key

5. Press the foot-up key.

You can check the number of body patterns on the screen.

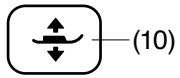
- (8) Foot-up key
- (9) Number of the body pattern

6. Lower the needle into the fabric at the point where you want to start sewing.

Start sewing. Sew until the machine stops.

The machine stops and the presser foot rises automatically.

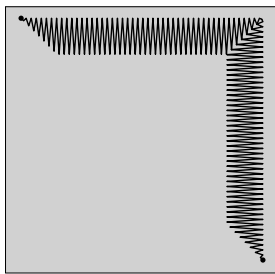
7.



(11)

(1)

8.



7. Pivot the fabric 90 degrees.

Press the presser foot lifter button to lower the presser foot.

Press the initial and end lock stitch keys.

Be sure that the initial lock stitch key is turned off, and the end lock stitch key is turned on.

Start sewing in the new direction.

(10) Presser foot lifter button

(11) Initial lock stitch key

(1) End lock stitch key

8. The machine automatically stops at the end of the corner with the lock stitch.

MONOGRAMMING

You can program letters and symbol designs for monogramming.

Press the Monogram key and the font selection window will open.

(1) Monogram key

You can select one of 8 fonts.

Select the desired font by pressing the corresponding key.

(2) Block key

(3) Script key

(4) Broadway key

(5) Block (9 mm) key

(6) Cyrillic key

(7) Mincho (9 mm) key

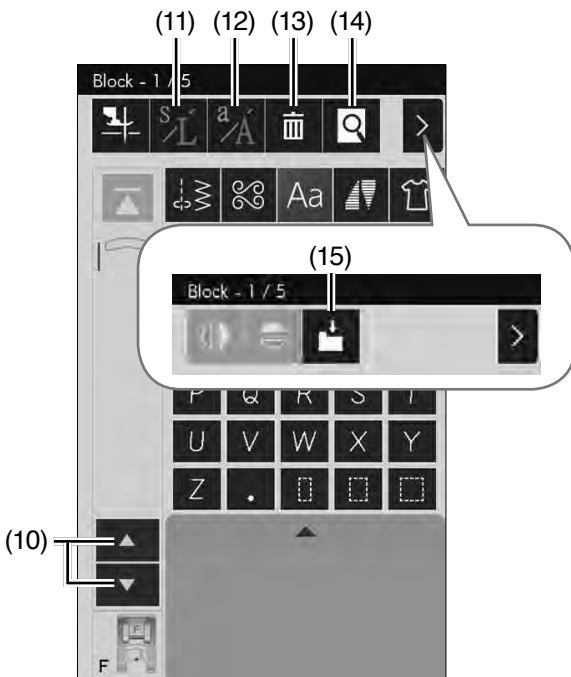
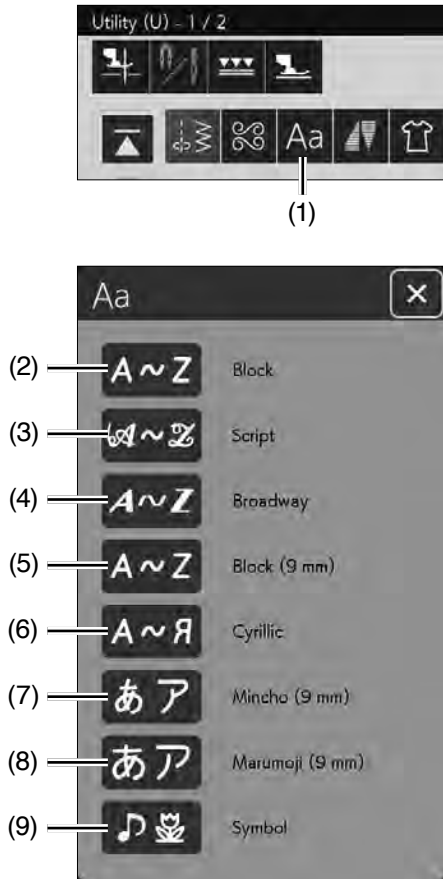
(8) Marumoji (9 mm) key

(9) Symbol key

The monogram mode window will open.

NOTE:

The heights of Block (9 mm), Mincho (9 mm) and Marumoji (9 mm) are approximately 9 mm.



Function Keys

(10) Cursor keys

Press the cursor keys to move the cursor up or down.

(11) Letter size key

Press this key to select the full size (L) or small size (S).

(12) Letter case key

Press this key to select upper case or lower case.

(13) Delete key

Press this key to delete selected characters.

(14) Preview key

Press this key to view the entire monogram.

(15) Save file key

Press this key to save the monogram as a data file.

(16) Hiragana/Katakana key*

Press this key to switch Hiragana or Katakana for monograms.

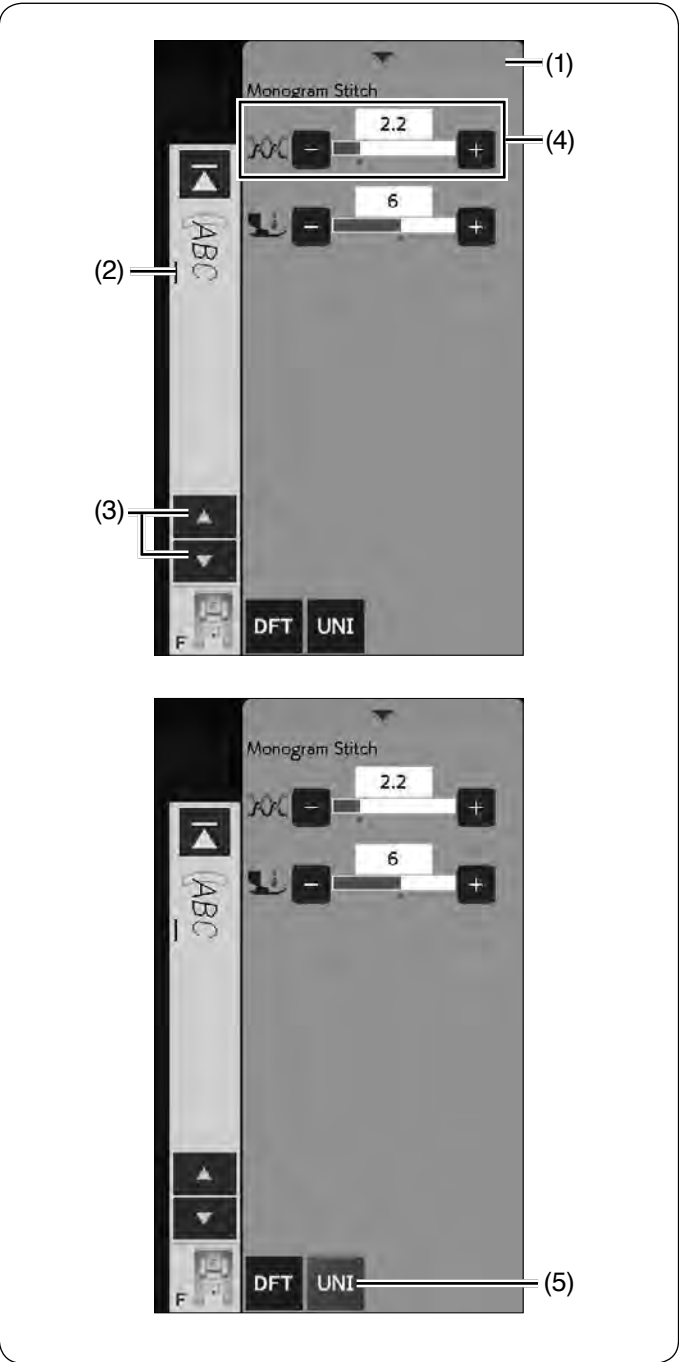
(17) Horizontal/Vertical orientation key*

Press this key to switch the horizontal or vertical orientation.

NOTE:

Numbers, symbols and European letters are available on pages 2/5 through 5/5.

* These keys are displayed only when Mincho (9 mm) or Marumoji (9 mm) is selected.



Manual Thread Tension

This machine is equipped with automatic thread tension control. However, you may need to manually adjust the tension balance depending on the sewing conditions.

To adjust the thread tension, press the setting bar to show the option.

- (1) Setting bar

Individual Thread Tension Adjustment

To apply the thread tension adjustment to each letter individually, select the letter by moving the cursor with cursor keys.

- (2) Cursor
- (3) Cursor keys

Press “+” or “-” key to adjust the thread tension of the selected letter. The adjusted thread tension is applied to the selected letter.

- (4) Thread tension adjustment key

Unified Thread Tension Adjustment

To apply the thread tension adjustment to all letters together, you do not need to select the letters.

Press the unified thread tension key.

- (5) Unified thread tension key

Press “+” or “-” key to adjust the thread tension.

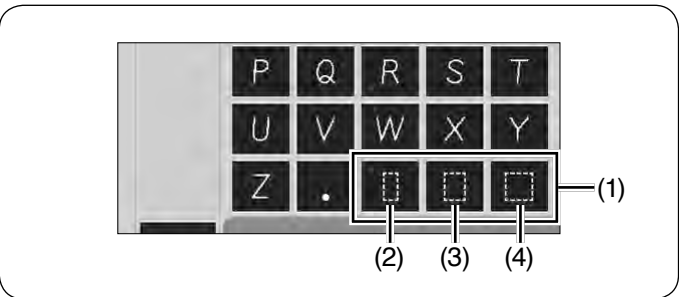
The adjusted thread tension is applied to all entered letters.

When unified thread tension control is applied, the unified thread tension key turns to light blue.

Press the unified thread tension key again to deactivate the unified thread tension adjustment.

NOTE:

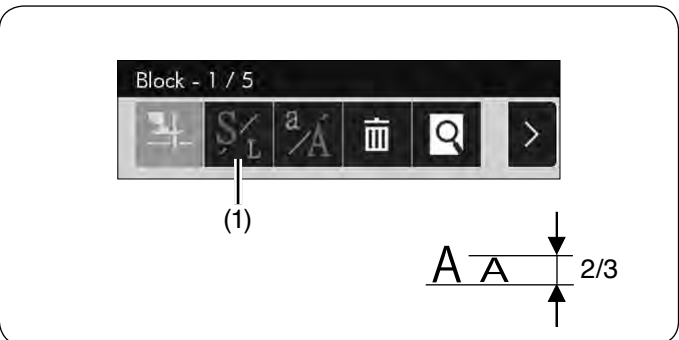
Unified thread tension adjustment cannot be applied to Symbol characters or decorative stitches.



Spacing

To enter a space in monogramming, press one of the three space keys on the lower right corner of the monogram selection.

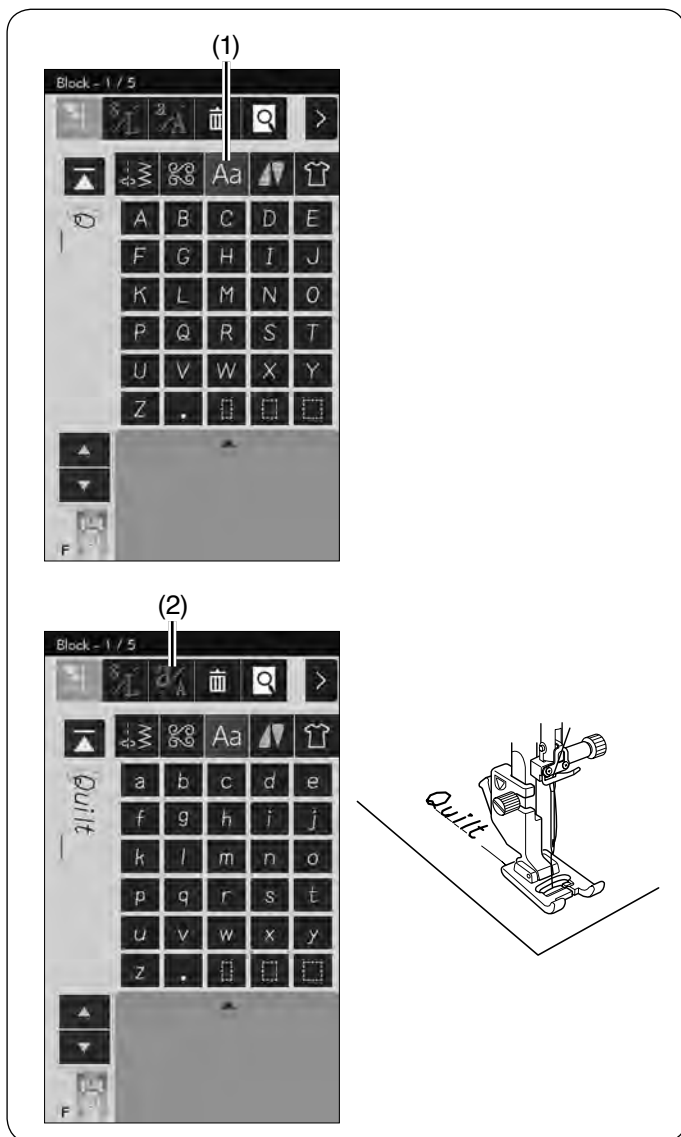
- (1) Space keys
- (2) Small-size space
- (3) Medium-size space
- (4) Large-size space



Reducing the Size of Letters

To reduce the height of a character to approximately 2/3 of full size (L), select the character and press the letter size key.

- (1) Letter size key



Programming a Monogram

Simply enter the characters by pressing the corresponding keys to program a monogram.

NOTE:

- Use a blue tip needle for sewing a monogram.
- Apply a sheet of stabilizer to fine fabrics or stretch fabrics.
- Test sew to check the sewing results.

Example 1: "Quilt" in Block font

Press the monogram key and select Block font. Enter "Q".

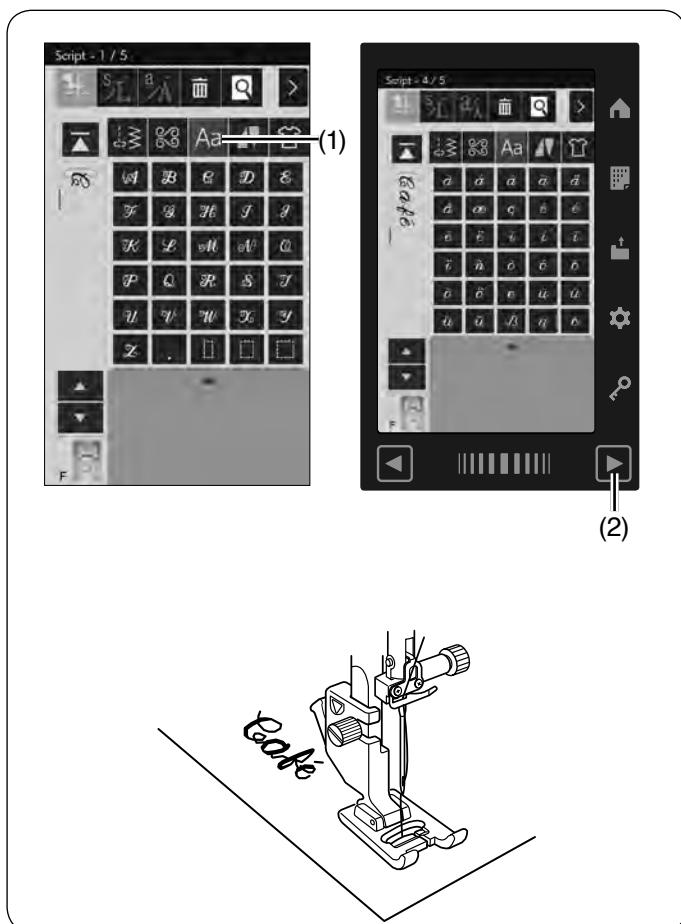
- (1) Monogram key

Press the letter case key to select lower case.

- (2) Letter case key

Enter "u", "i", "l" and "t".

Start sewing. Sew until the machine stops.



Example 2: "Café" in Script font

Press the monogram key and select Script font. Enter "C".

- (1) Monogram key

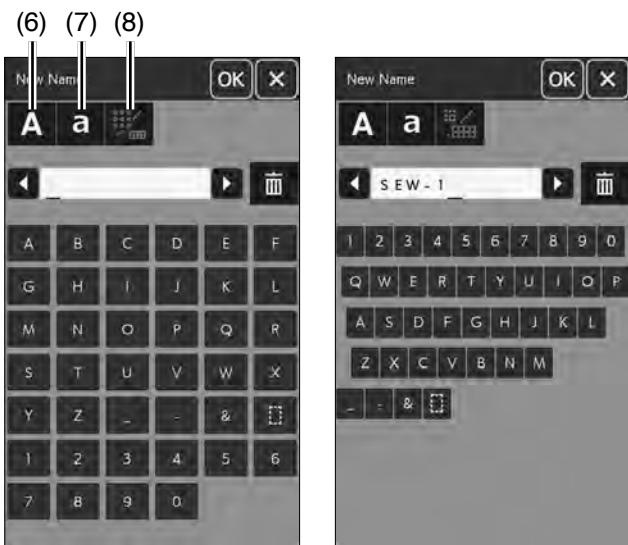
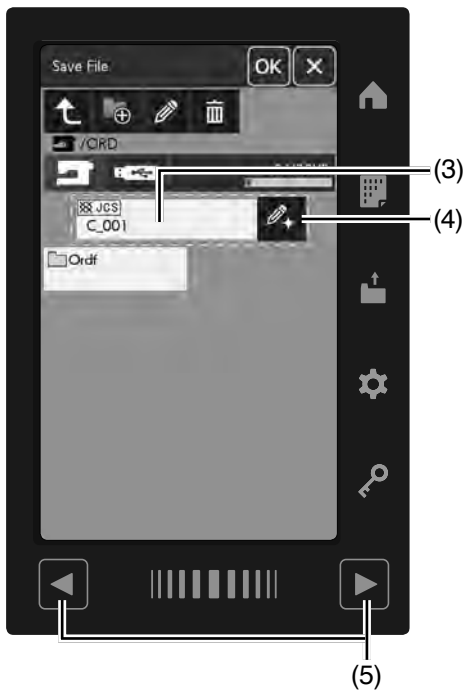
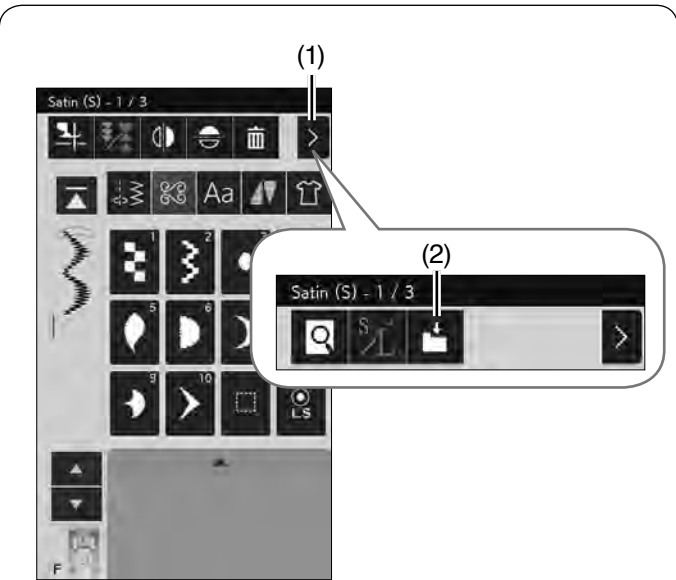
Press the letter case key and select lower case letters. Enter "a" and "f".

Press the next page key 3 times to go to page 4/5.

Enter "é".

- (2) Next page key

Start sewing. Sew until the machine stops.



Saving a Pattern Combination

The pattern combination and monogram can be saved as a file in the machine's internal memory or a USB flash drive.

The machine has a USB port for USB flash drives.

Press the function switch key.

Press the save file key after programming a pattern combination, and the save file window will open.

- (1) Function switch key
- (2) Save file key

Select the location to where you wish to save the pattern combination.

The "Ordf" folder is shown and the file name is assigned automatically starting from C_001.....in order.

Select the "Ordf" folder.

Press the OK key to save the file under the assigned name.

- (3) File name

If you wish to assign a unique name to the file, press the rename key and the keyboard window will open.

- (4) Rename key

NOTE:

- The files and folders are also displayed on different pages. Press page keys to switch the window.
- (5) Page keys
- This model supports FAT16 and FAT32 formats only. If the USB flash drive is not read, check its format (refer to pages 152-153).
- Do not use a USB card reader and USB hub.

If you wish to use a QWERTY layout keyboard, press the keyboard key.

Press the upper or lower case key to select letter case.

- (6) Upper case key
- (7) Lower case key
- (8) Keyboard key

Enter a new name and press the OK key to change the file name.

Press the OK key and the file is saved under the new name.

(10) (9) (11) (12)



Creating a New Folder

Select a location for a new folder and press the new folder key.

The keyboard window will open.

Enter a folder name and press the OK key.

The new folder is created under the assigned name.

(9) New folder key

NOTE:

Press the parent directory key to move to the parent directory and display the folder.

(10) Parent directory key



Changing a Folder Name or File Name

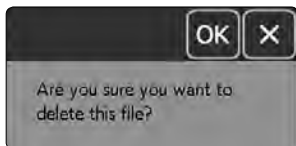
Press the rename key and select the folder or file of which you wish to change its name.

The keyboard window will open.

Enter the new name and press the OK key.

The name of the folder or file will change.

(11) Rename key



Deleting a File or Folder

Press the delete key and select the file or folder to delete.

A confirmation message appears.

Press the OK key to delete the file or folder.

(12) Delete key

Opening a Pattern Combination

You can open the pattern combination, monogram and tapered stitch saved in the machine's internal memory or a USB flash drive.

Press the open file key and the open file window will open.

(1) Open file key

Select the memory location; either the machine's internal memory or a USB flash drive.

The "Ord" folder will appear.

NOTE:

- If you created any folders before, those folders will also appear.
- If you cannot find the desired folder or the file in the page, press the next or previous page key to display the other pages.

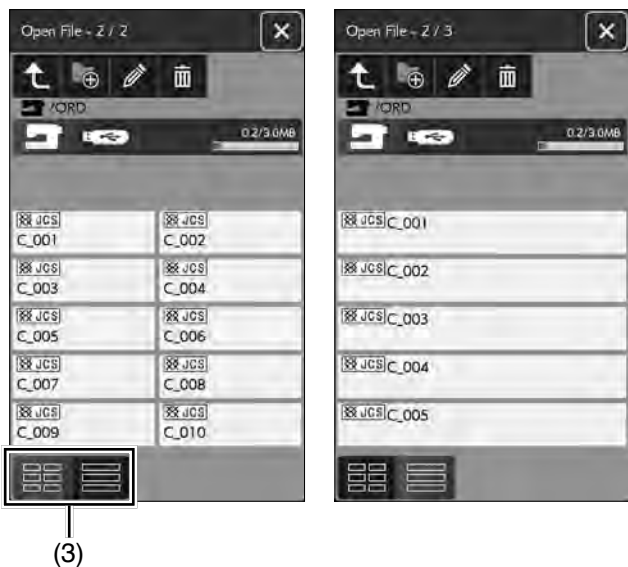
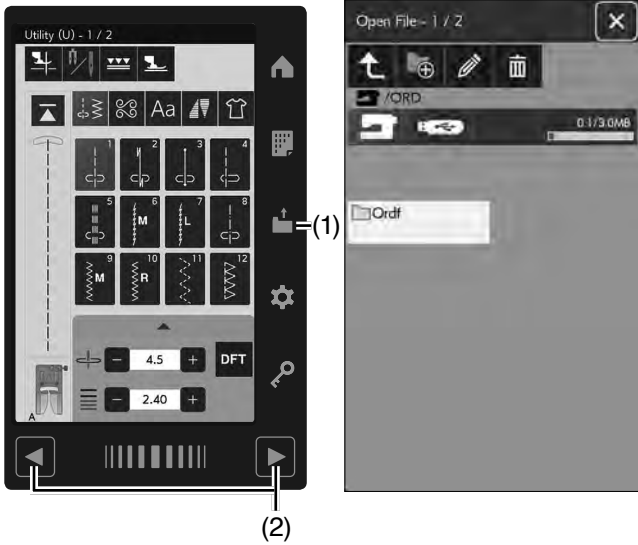
(2) Next or previous page key

Select the desired folder and the file list will appear.

The screen will return to the ordinary sewing window showing the saved pattern combination or monogram.

Press one of the layout keys to select the layout of the file list as shown.

(3) Layout keys



SEWING APPLICATION

Variety of Sewing Applications

Sewing application is a unique feature that provides you with useful sewing applications.

Press the sewing application key and the sewing application menu will open.

(1) Sewing application key

Press one of the key to select the category.

(2) Sewing key

(3) Quilt key

The sewing applications using optional presser feet can be selected by pressing the optional foot key.

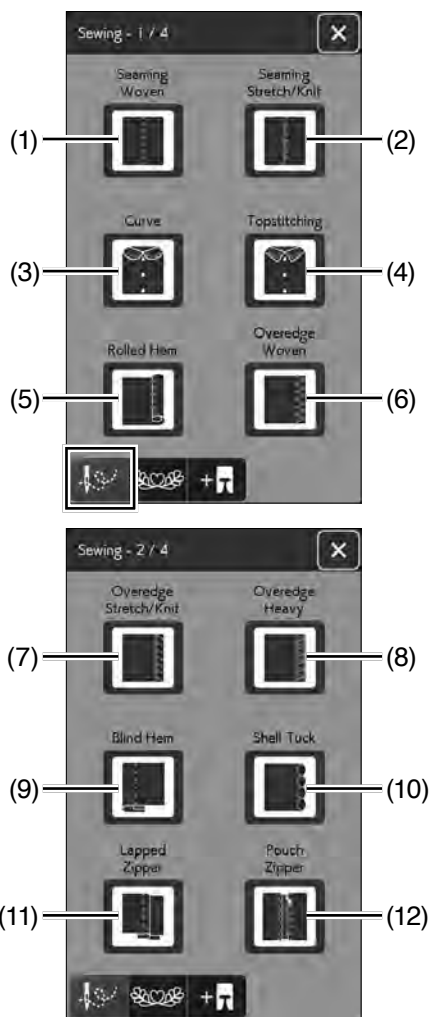
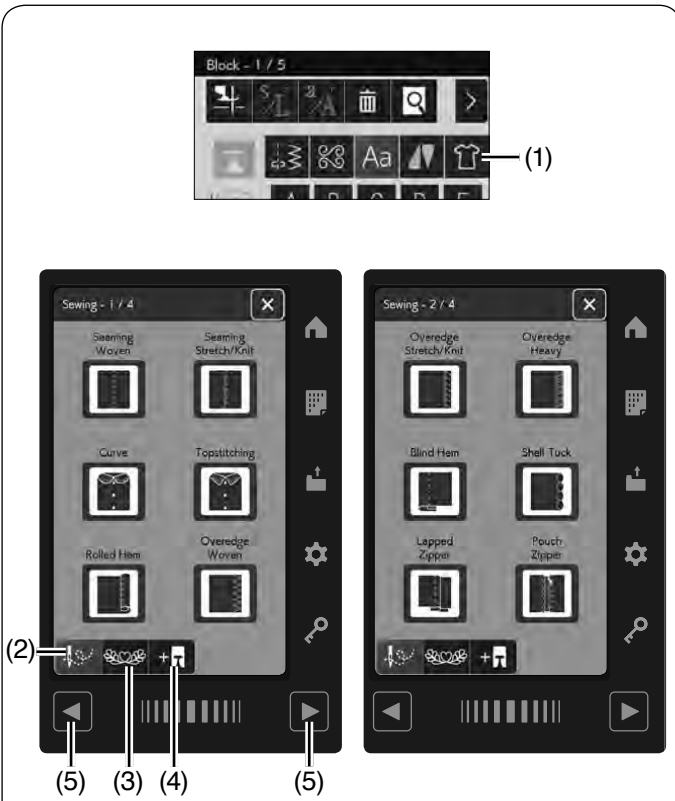
Please refer to optional feet instructions for usage details.

(4) Optional foot key

NOTE:

This category is composed of multiple pages. Press page keys to switch the category pages.

(5) Page keys

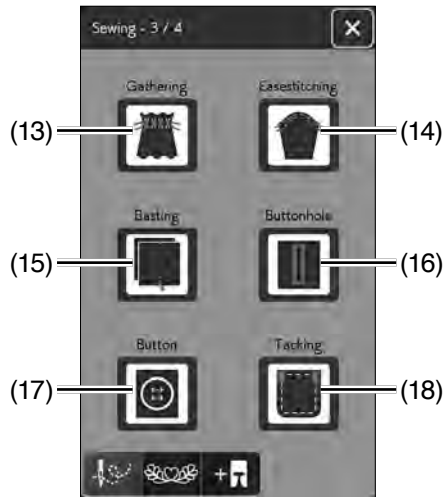


Sewing

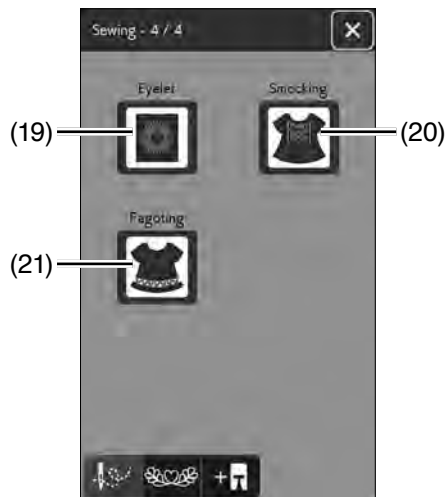
Press the sewing key and the sewing application menu will open.

The 21 sewing applications are as follows:

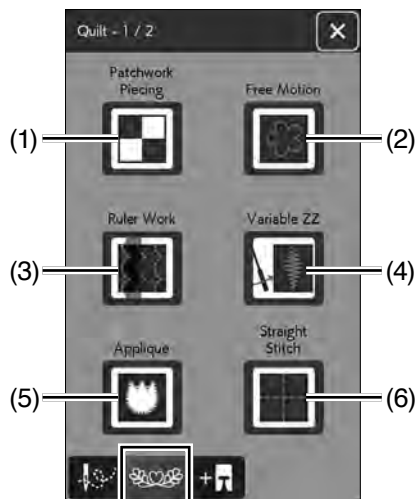
- (1) Seaming Woven
- (2) Seaming Stretch/Knit
- (3) Curve
- (4) Topstitching
- (5) Rolled Hem
- (6) Overedge Woven
- (7) Overedge Stretch/Knit
- (8) Overedge Heavy
- (9) Blind Hem
- (10) Shell Tuck
- (11) Lapped Zipper
- (12) Pouch Zipper



- (13) Gathering
- (14) Easestitching
- (15) Basting
- (16) Buttonhole
- (17) Button
- (18) Tacking



- (19) Eyelet
- (20) Smocking
- (21) Fagoting



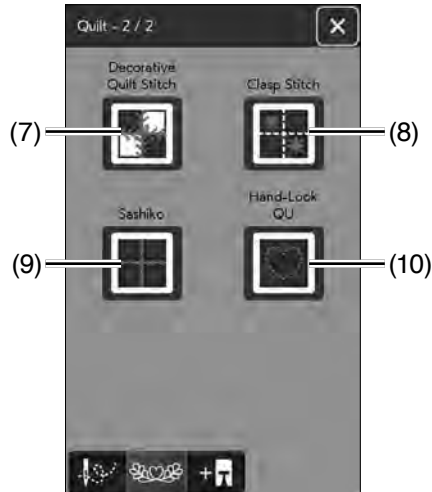
Quilt

In this category, 10 types of useful stitches for quilting are available.

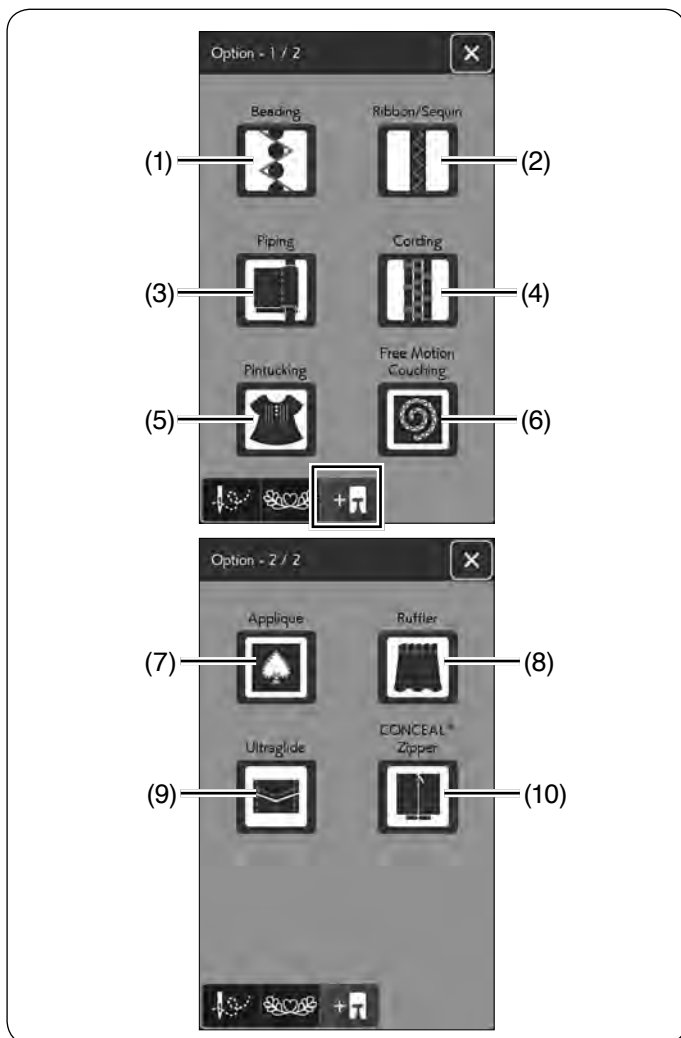
Press the quilt key and the quilt sewing application menu will open.

The 10 quilt sewing applications are as follows:

- (1) Patchwork Piecing
- (2) Free Motion
- (3) Ruler Work
- (4) Variable ZZ
- (5) Applique
- (6) Straight Stitch



- (7) Decorative Quilt Stitch
- (8) Clasp Stitch
- (9) Sashiko
- (10) Hand-Lock QU



Optional Sewing Application

The option category of the sewing application provides you with 10 useful sewing applications.

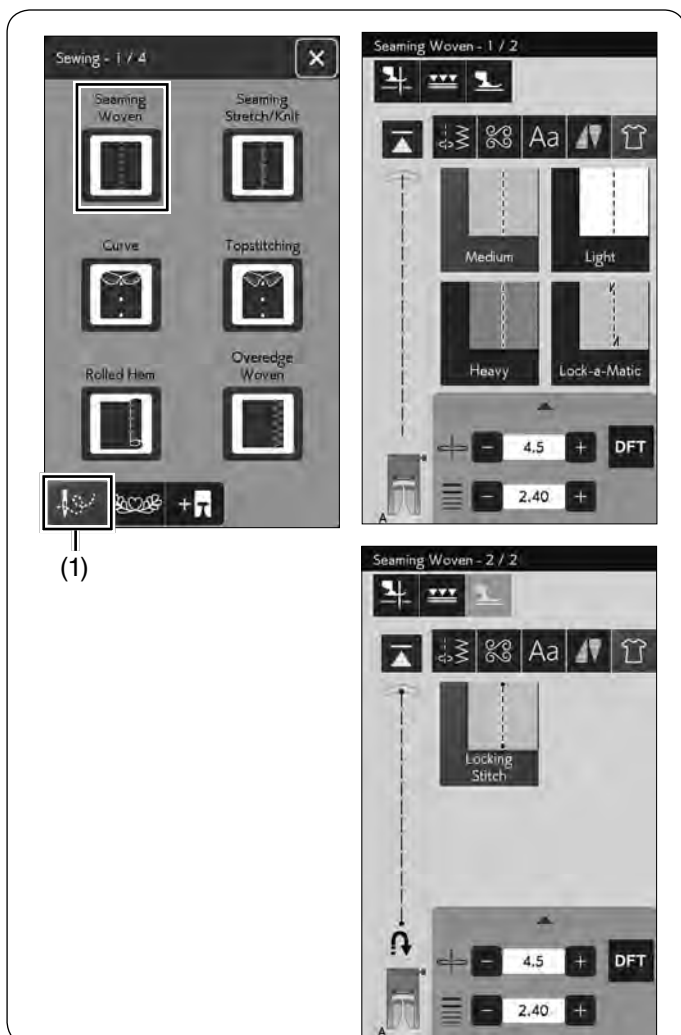
Press the optional foot key and the optional sewing application menu will open.

The 10 optional sewing applications are as follows:

- (1) Beading
- (2) Ribbon/Sequin
- (3) Piping
- (4) Cording
- (5) Pintucking
- (6) Free Motion Couching
- (7) Applique
- (8) Ruffler
- (9) Ultraglide
- (10) Invisible Zipper/CONCEAL® Zipper*

Refer to the instructions on optional foot for sewing.

* "CONCEAL" is a registered trademark of YKK Corporation.



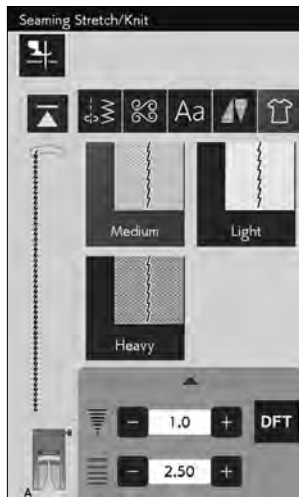
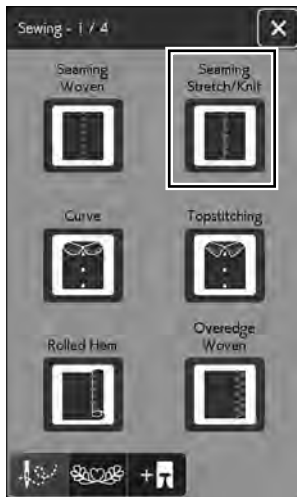
Sewing

Press the sewing key and the sewing application menu will open.

- (1) Sewing key

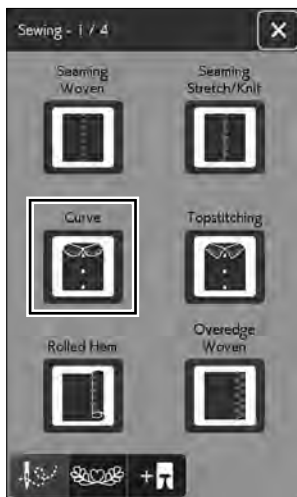
Seaming Woven

Straight stitches for seaming regular woven fabrics.



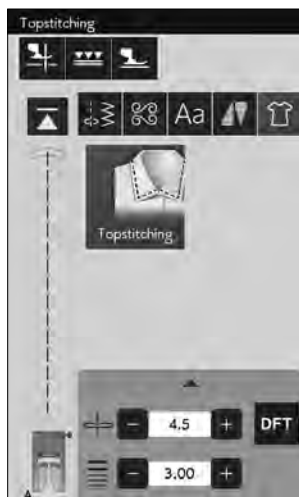
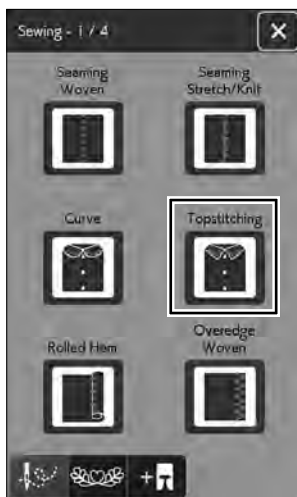
Seaming Stretch/Knit

Narrow stretch stitches for seaming stretch or knit fabrics.



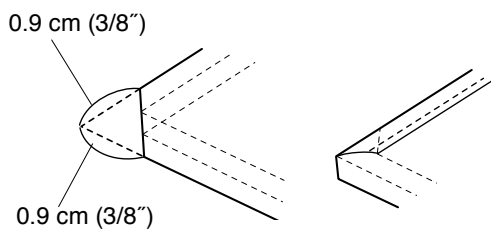
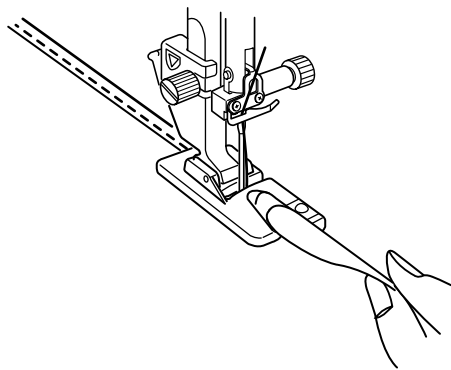
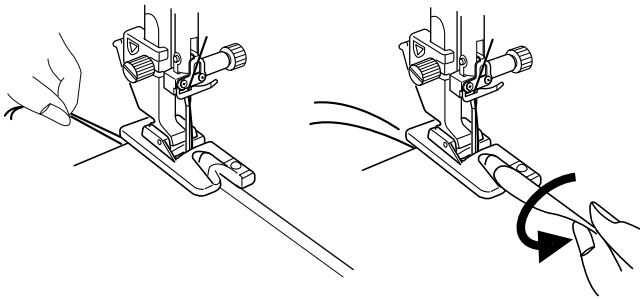
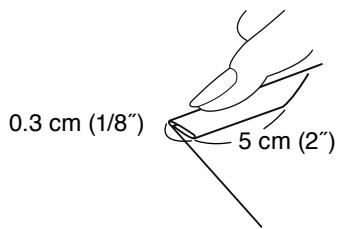
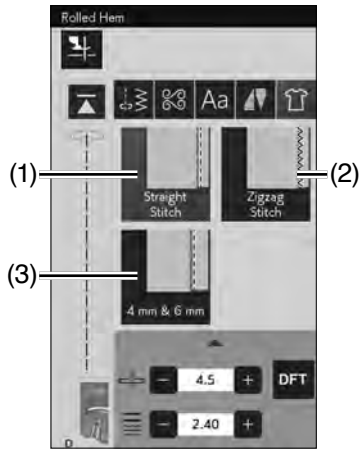
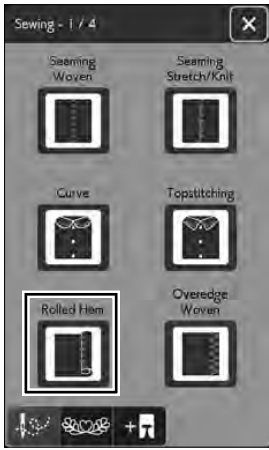
Curve

Short straight stitches for seaming curved lines.



Topstitching

Long straight stitch for topstitching with thick threads.



Rolled Hem

- (1) Straight Stitch
Rolled hemming with straight stitch
- (2) Zigzag Stitch
Rolled hemming with narrow zigzag stitch
- (3) 4 mm & 6 mm
Rolled hemming using optional rolled hemming feet D1 and D2

To sew:

Attach rolled hem foot D.

Fold the fabric edge twice to form a hem, 0.3 cm (1/8") wide and 5 cm (2") long then press.

Place the fabric aligning the hem edge with the guide of the foot. Turn the handwheel to lower the needle to the starting point.

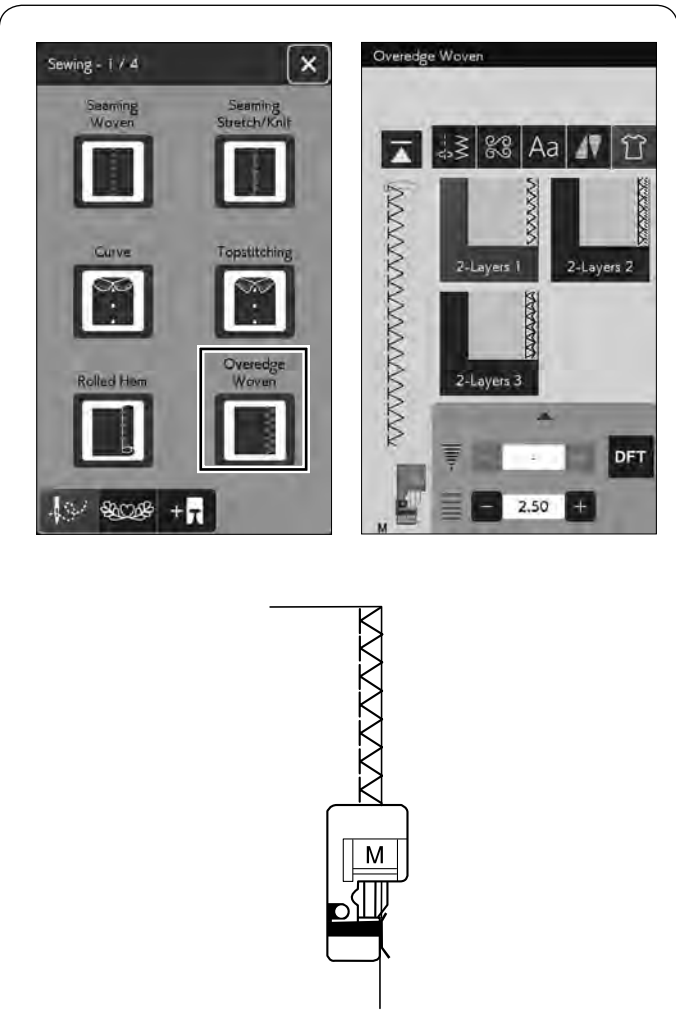
Lower the foot and sew several stitches slowly while pulling on the threads to assist feeding the fabric.

Stop the machine and lower the needle into the fabric. Raise the foot and insert the folded portion of the fabric into the curl of the foot.

Lower the foot and sew while lifting the edge of the fabric to keep it feeding into the curl smoothly and evenly.

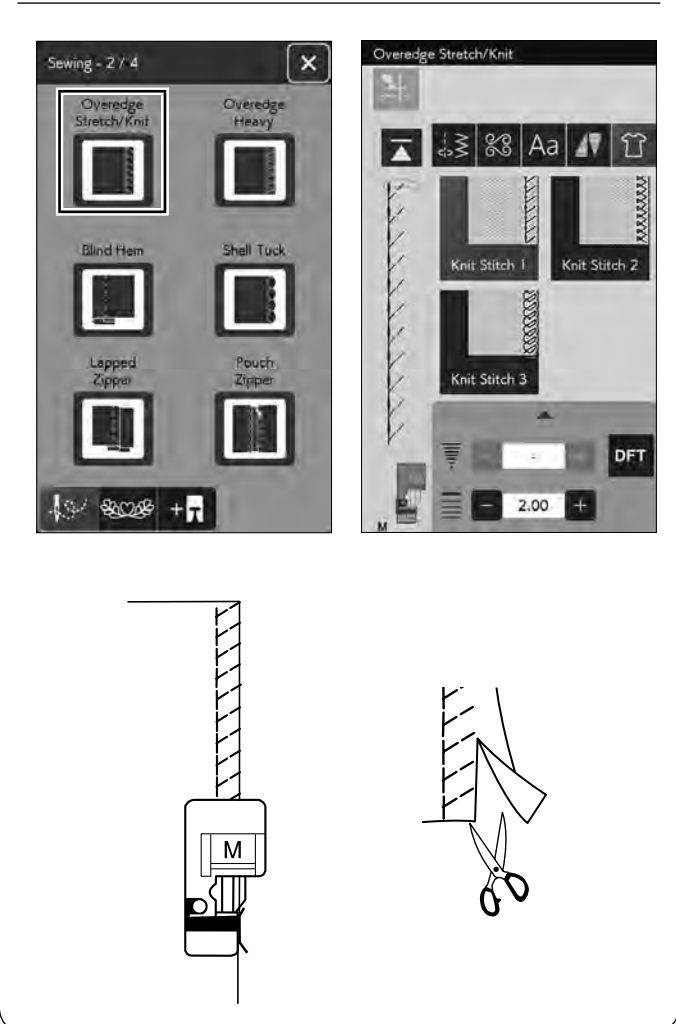
NOTE:

Trim the corners 0.9 cm (3/8") to reduce bulk.



Overedge Woven

Overcasting stitch for regular woven fabrics.

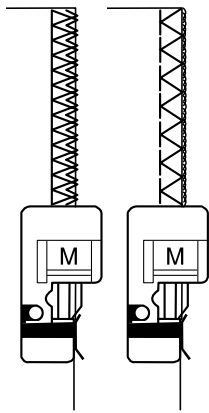
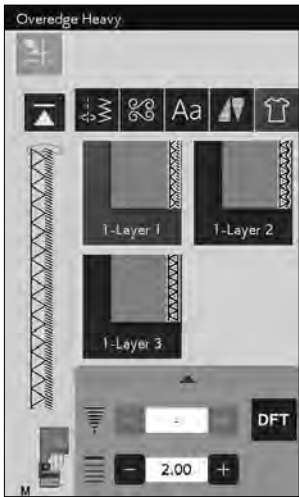
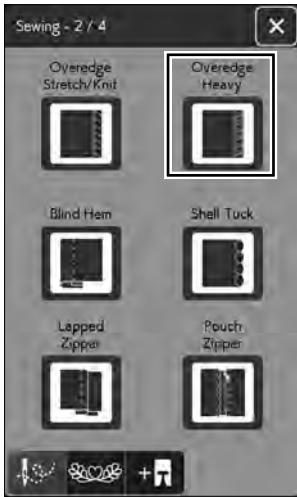


Overedge Stretch/Knit

Knit stitch for finishing raw edges of stretch or knit fabrics.

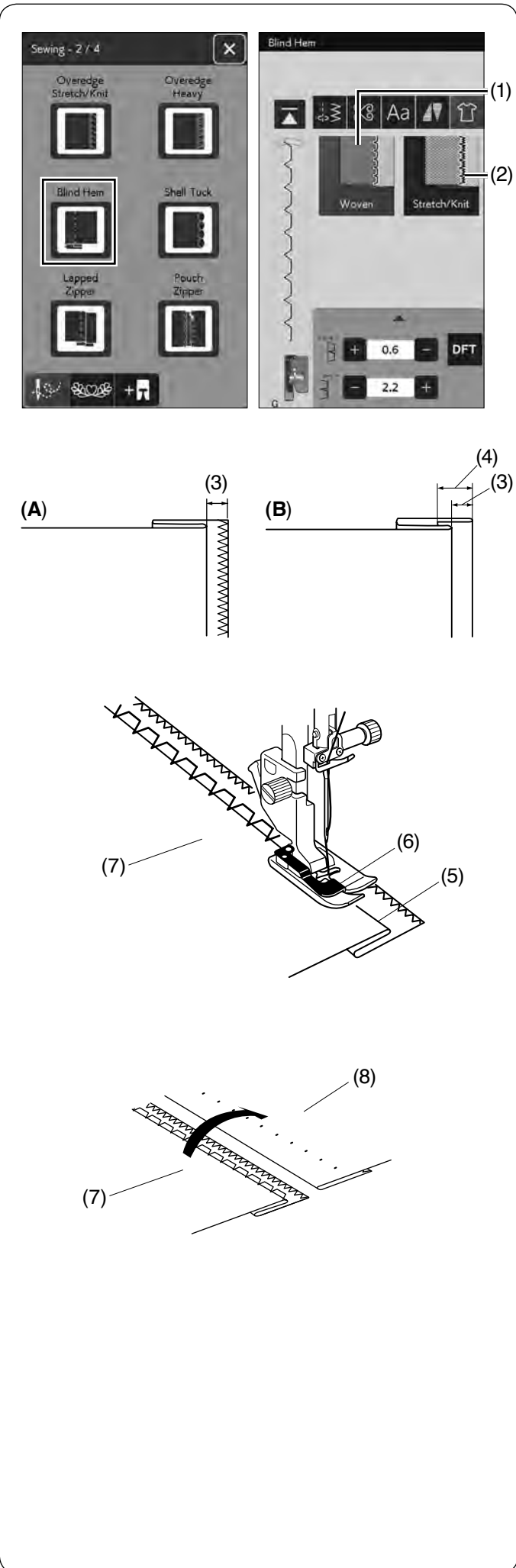
For better results, use zigzag foot A and sew leaving an adequate seam allowance.

After sewing, trim the seam allowance close to the stitches (refer to page 49).



Overedge Heavy

Double overedge stitch for preventing raw edges of linens and gabardines from ravelling.



Blind Hem

Select "Blind Hem".
The following 2 options are available.

- (1) Woven
For blind hemming regular woven fabric.
- (2) Stretch/Knit
For blind hemming stretch or knit fabric.

To sew:

Attach blind hemming foot G.

Fold the fabric to form a hem leaving a 0.5 cm (1/4") allowance as shown.

(3) 0.5 cm (1/4")

(A) Medium to heavy fabrics: The raw edge should be overcasted.

(B) Fine fabrics: Fold the raw edge 1 cm (3/8").

(4) 1 cm (3/8")

Position the fabric so that the fold comes to the left side of the guide on the foot. Lower the presser foot.

The needle should just pierce the folded edge when it comes over to the left side.

Adjust the position of the needle drop if necessary.

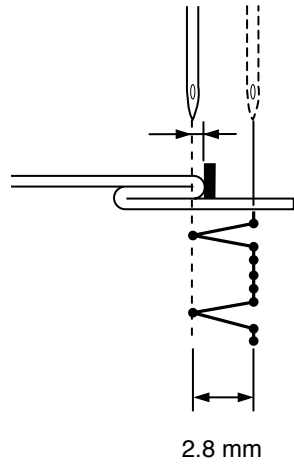
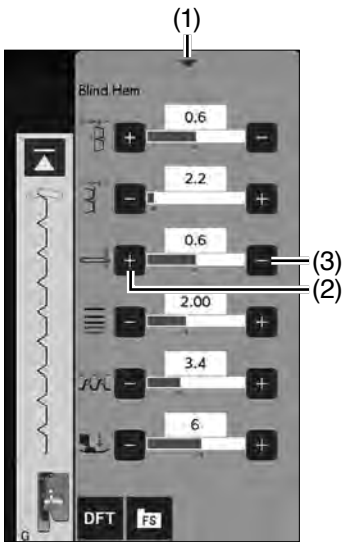
Sew guiding the fold along the guide.

- (5) Fold
- (6) Guide
- (7) Wrong side of the fabric

After sewing is finished, open the fabric flat.

The seam on the right side of the fabric is almost invisible.

- (7) Wrong side of the fabric
- (8) Right side of the fabric



Adjusting the needle drop position

Press the setting bar to expand the manual setting window.

(1) Setting bar

Press the “+” key to move the needle drop positions to the left.

Press the “-” key to move the needle drop positions to the right.

(2) “+” key

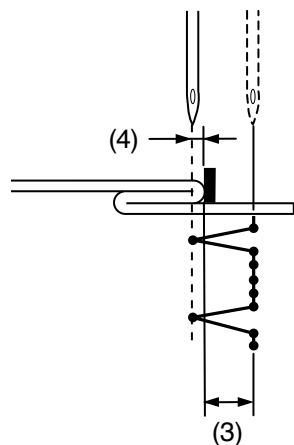
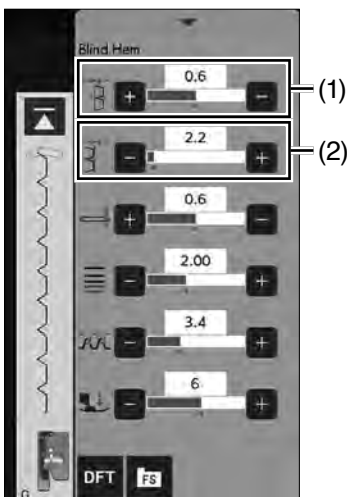
(3) “-” key

The needle drop position will change, while the stitch width (2.8 mm) remains consistent.

The distance between the left needle drop position and guide of the foot is indicated in millimeters.

NOTE:

You can alter the stitch width by changing the right needle drop position.



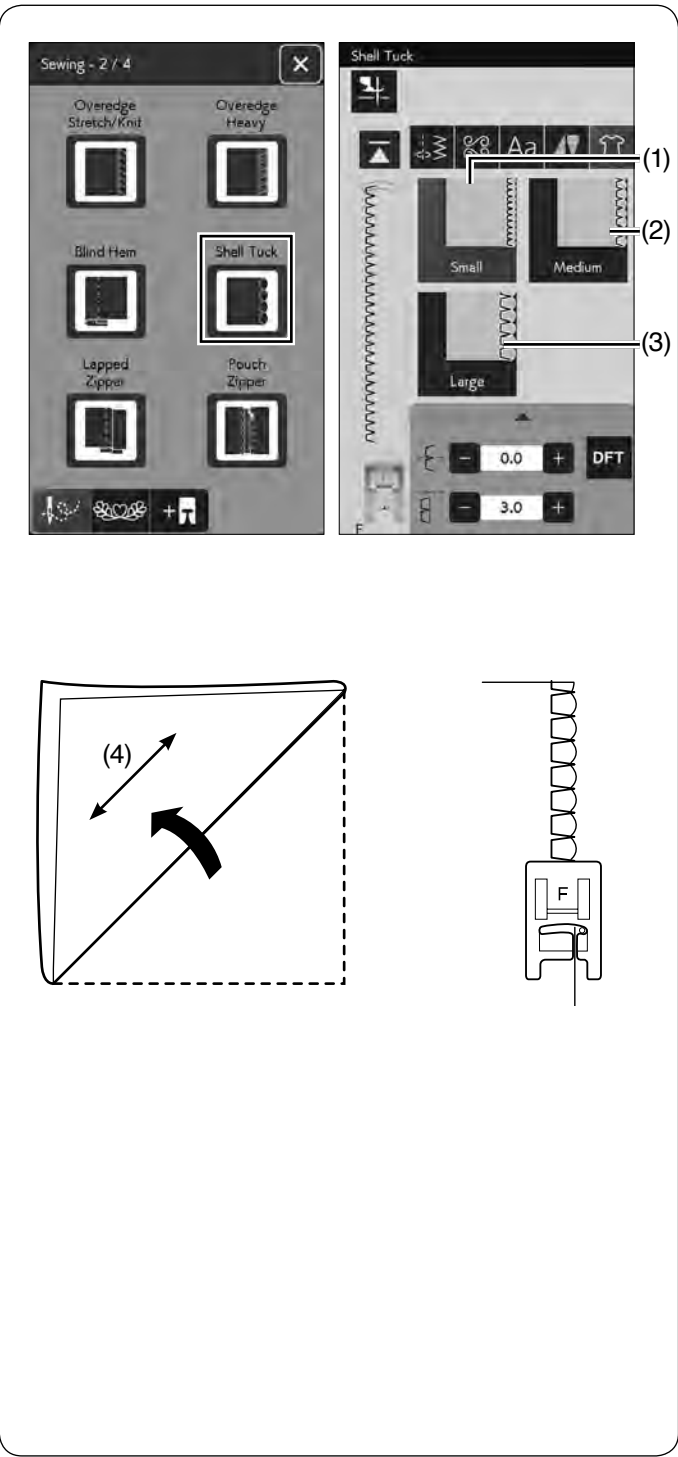
Altering blind hem stitch width

Press the “+” key in (2) to increase stitch width (3).

Press the “-” key in (2) to decrease stitch width (3).

NOTE:

You can move the left needle drop position (4) with the “+” or “-” key in (1).



Shell Tuck

Select "Shell Tuck".
The following 3 options are available.

- (1) Small
Narrow shell tuck stitch
- (2) Medium
Medium width shell tuck stitch
- (3) Large
Regular shell tuck stitch

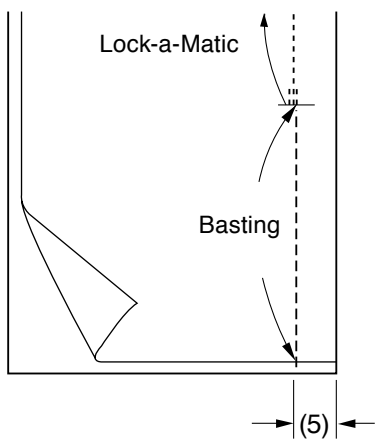
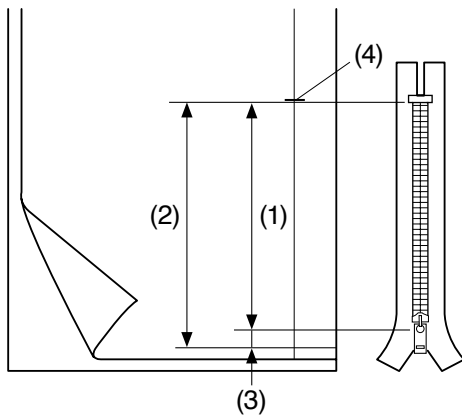
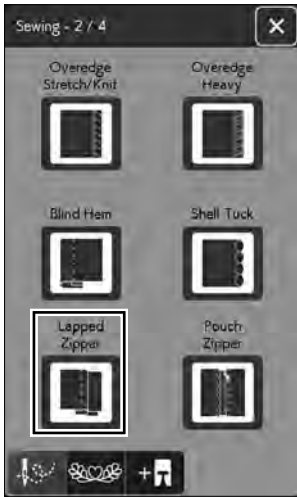
To sew:

Use a light weight fabric (Tricot, for example).
Fold the fabric in bias as shown and stitch on the fold.

- (4) Bias direction

Allow the needle to barely clear the folded edge to create a shelled edge.

If you sew shell tucks, space the rows at least 1.5 cm (5/8") apart.

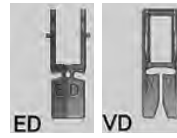


Lapped Zipper

Press the Lapped Zipper key and the zipper sewing window will open.

Press the sewing step key and the machine setting will automatically adjust to suit each sewing step.

NOTE:



Dual feed plus foot VD* and dual feed plus zipper foot ED* appear on the visual touch screen when the dual feed key is pressed.

Dual feed plus zipper foot ED* is used with dual feed plus foot VD* together.

* Dual feed feet and holder are optional items (sold separately).

Fabric preparation

Add 1 cm (3/8") to the zipper size. This is the overall opening size.

Mark the end of opening.

- (1) Zipper size
- (2) Opening size
- (3) 1 cm (3/8")
- (4) End of opening

Attach zigzag foot A.



Lock-a-Matic

Place the right sides of the fabric together and sew to the end of the opening leaving a 2 cm (3/4") allowance.

- (5) 2 cm (3/4")



Basting

Baste the zipper opening.

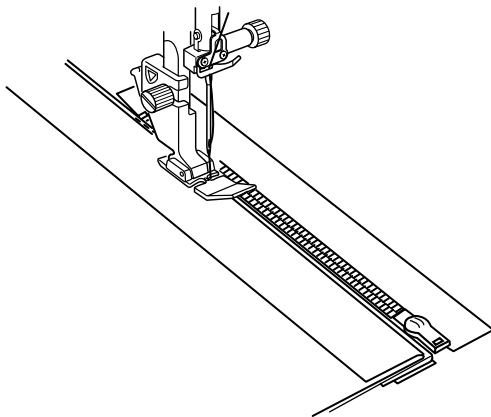
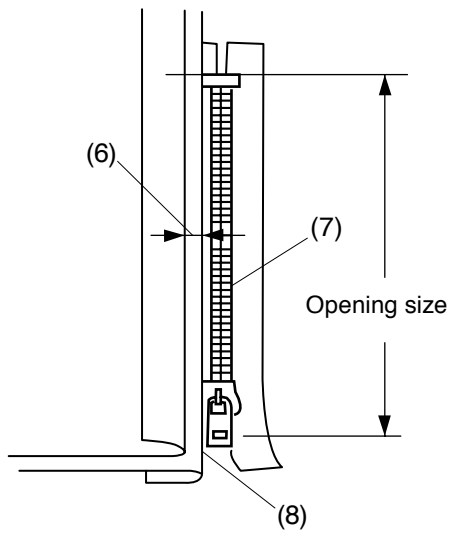


Sew Left side

Replace the foot with zipper foot E.

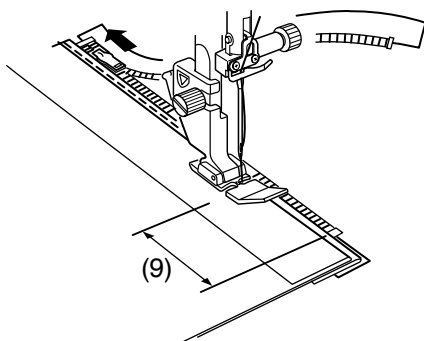
Fold back the left seam allowance. Turn the right seam allowance under to form a 0.2 cm to 0.3 cm (1/8") fold. Place the zipper teeth next to the fold and pin in place.

- (6) 0.2 cm - 0.3 cm (1/8")
- (7) Zipper teeth
- (8) Fold



Lower the foot onto the topside at the bottom of the zipper so that the needle pierces the fabric next to the fold and the zipper tape.

Sew along the zipper guiding the zipper teeth along the bottom edge of the foot.

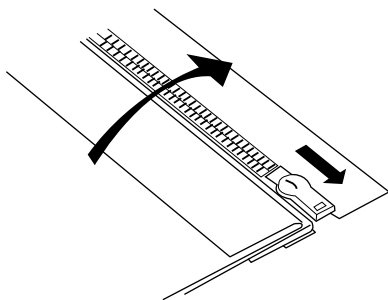


Sew through all layers next to the fold.

Stop 5 cm (2") before zipper foot E reaches the slider on the zipper tape.

- (9) 5 cm (2")

Lower the needle into the fabric, raise the foot and open the zipper. Lower the foot and stitch the remainder of the seam.



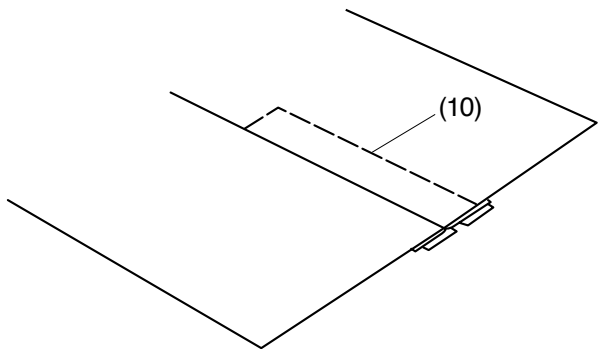
Close the zipper and spread the fabric open flat with the right side of the fabric facing up.



Basting

Baste the opened fabric and zipper tape together.

(10) Basting



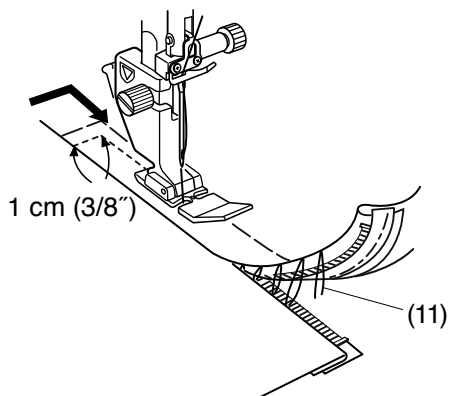
Sew Right side

Backstitch across the end of opening to 1 cm (3/8").
Stitch through the garment and zipper tape, guiding the zipper teeth along the bottom edge on the foot.

Stop about 5 cm (2") from the top of the zipper.

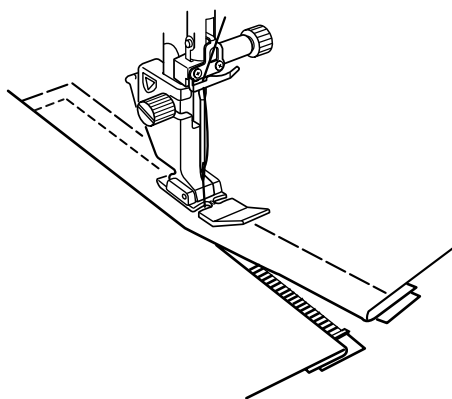
Lower the needle into the fabric, raise the foot and remove the basting stitches (refer to page 113).

(11) Basting stitches



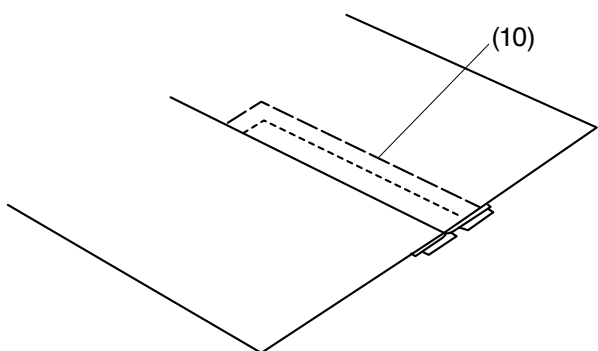
Open the zipper and move the slider to the rear of the foot.

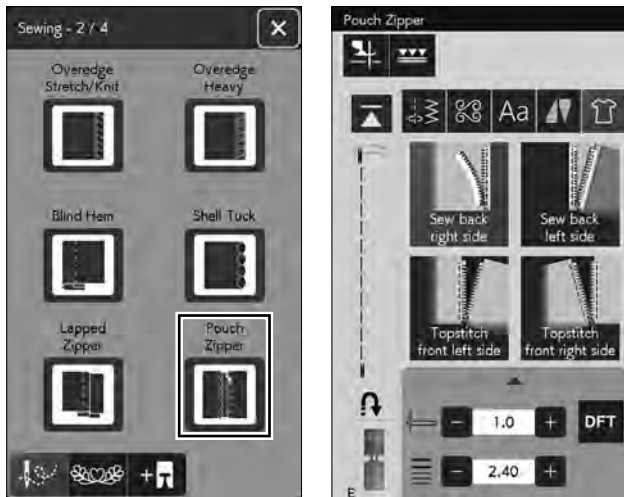
Lower the foot and stitch the remainder of the seam making sure the fold is even.



Remove the basting stitches.

(10) Basting





Pouch Zipper

Press the Pouch Zipper key and the window will show the step-by-step keys.

Prepare 2 pieces of fabric and a zipper tape.

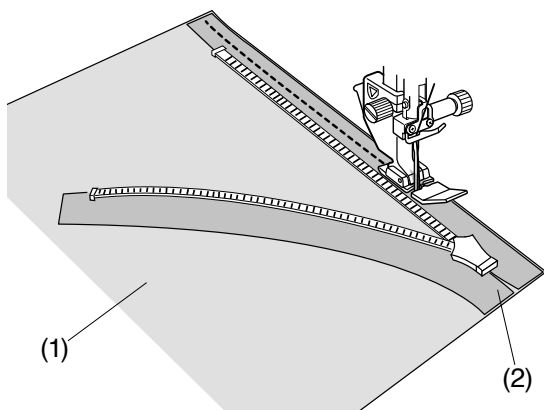
NOTE:



Dual feed plus zipper foot ED* appears on the visual touch screen when the dual feed key is pressed.

Use the dual feed plus zipper foot ED* instead of zipper foot E.

* Dual feed plus zipper foot ED and the holder are optional items (sold separately).



Sew back right side

Attach zipper foot E.

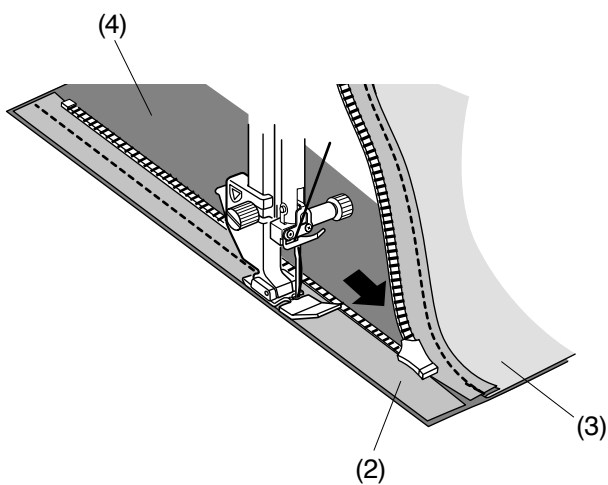
Open the zipper.

Place the right sides of the fabric and zipper tape together aligning both right edges.

Seam along the zipper aligning the right edge of the foot and zipper tape.

Stop 5 cm (2") before zipper foot E reaches the slider on the zipper tape. Close the zipper and stitch the remainder of the seam.

- (1) Right side of the fabric A
- (2) Wrong side of the zipper tape



Sew back left side

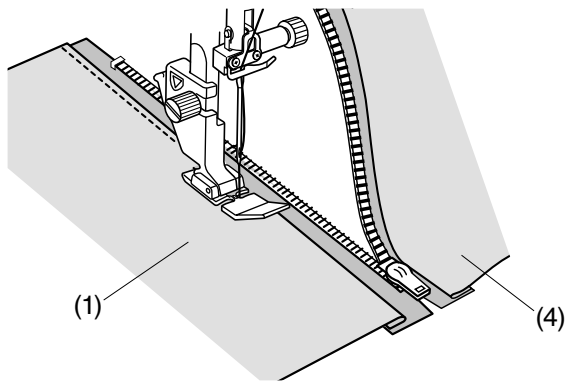
Fold back the right seam allowance.

Place the right sides of the other fabric and zipper tape together aligning both left edges.

Open the zipper and seam along the zipper aligning the left edge of the foot and zipper tape.

Stop 5 cm (2") before zipper foot E reaches the slider on the zipper tape. Close the zipper and stitch the remainder of the seam.

- (2) Wrong side of the zipper tape
- (3) Wrong side of the fabric A
- (4) Right side of the fabric B



Topstitch front left side

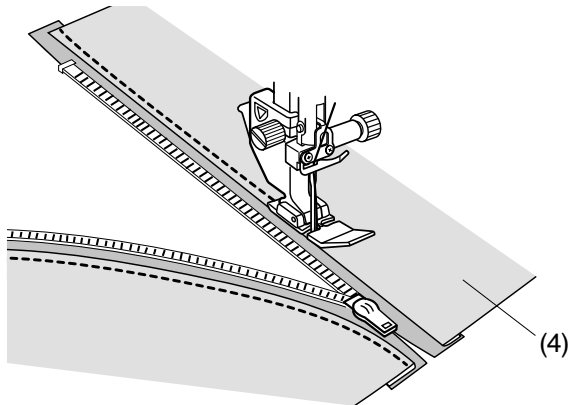
Fold back the seam allowance.

Spread the fabric open flat with the right side of the fabric facing up. Open the zipper.

Stitch along the fold of fabric, aligning the right side of the zipper foot E with the folded edge.

Stop 5 cm (2") before zipper foot E reaches the slider on the zipper tape. Close the zipper and stitch the remainder of the seam.

- (1) Right side of the fabric A
- (4) Right side of the fabric B

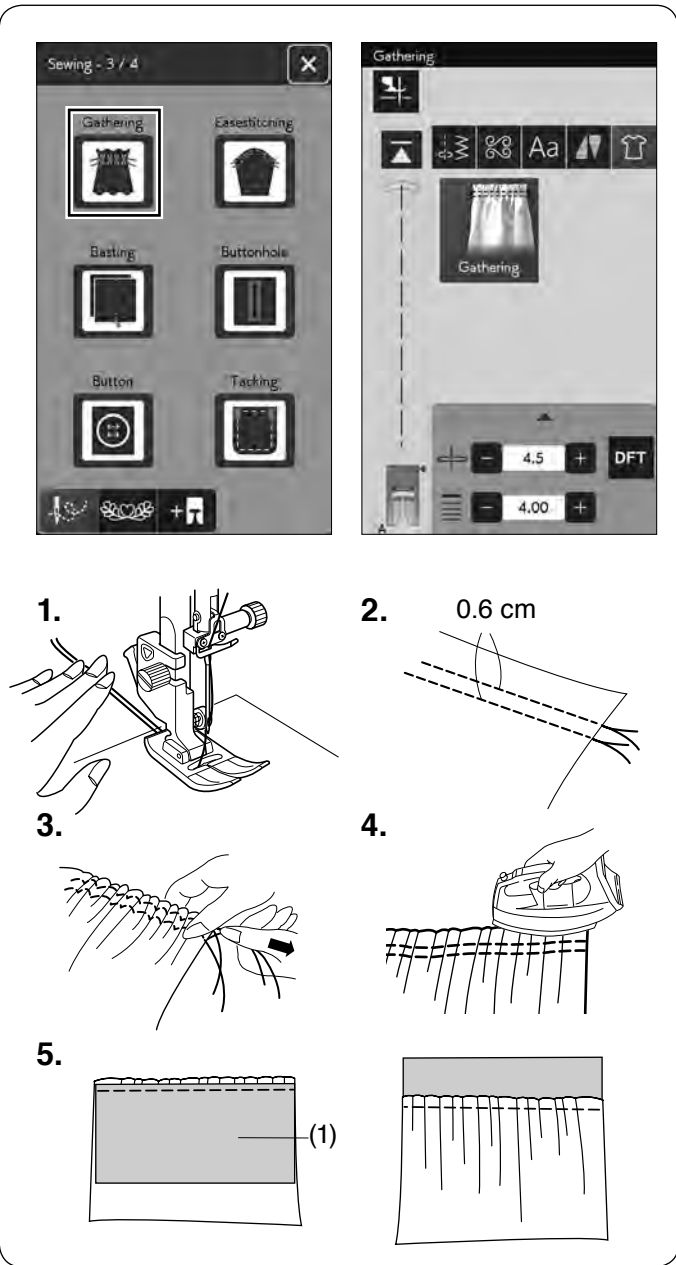


Topstitch front right side

Open the zipper. Stitch along the fold of fabric, aligning the left side of the zipper foot E with the folded edge.

Stop 5 cm (2") before zipper foot E reaches the slider on the zipper tape. Close the zipper and stitch the remainder of the seam.

- (4) Right side of the fabric B



Gathering

1. Pull both threads 10 cm (4") under and behind the presser foot (refer to page 26).
2. Sew two rows of straight stitches 0.6 cm (1/4") apart. Knot the threads at the beginning.
3. Pull the bobbin threads at the end to gather the fabric.
4. Knot the threads at the end and distribute the gathers evenly.
5. Prepare the fabric to attach the gathering.
Exit the sewing application.
Select Straight Stitch U1.
Set the thread tension to "3.4" and the stitch length to "2.40" (default settings).
Place the wrong side of the fabric under the gathering.

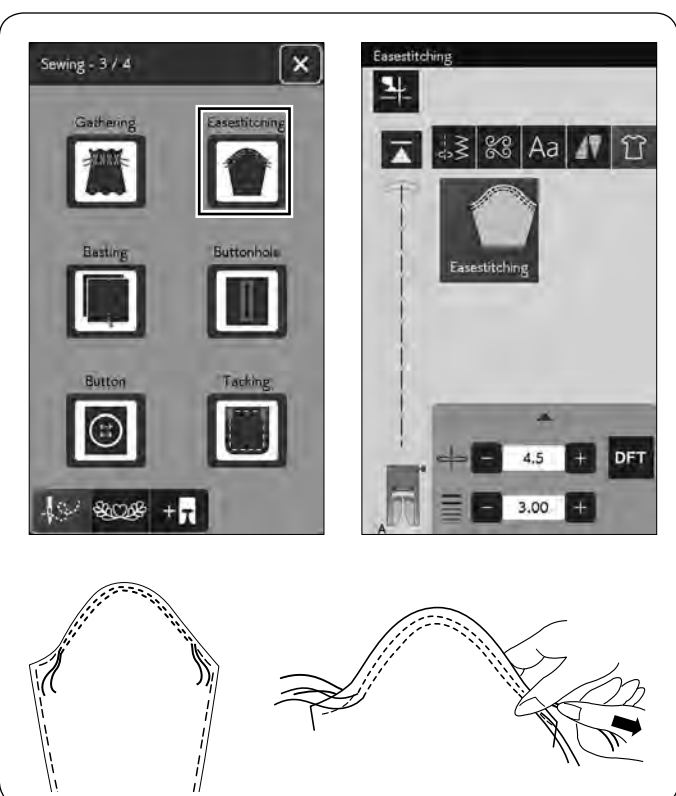
(1) Wrong side of the fabric

Sew the straight stitch between the two gathering rows.

Remove the two rows of straight stitches.

NOTE:

You may sew the straight stitch under the two gathering rows to cover the remains of gathering rows.



Easestitching

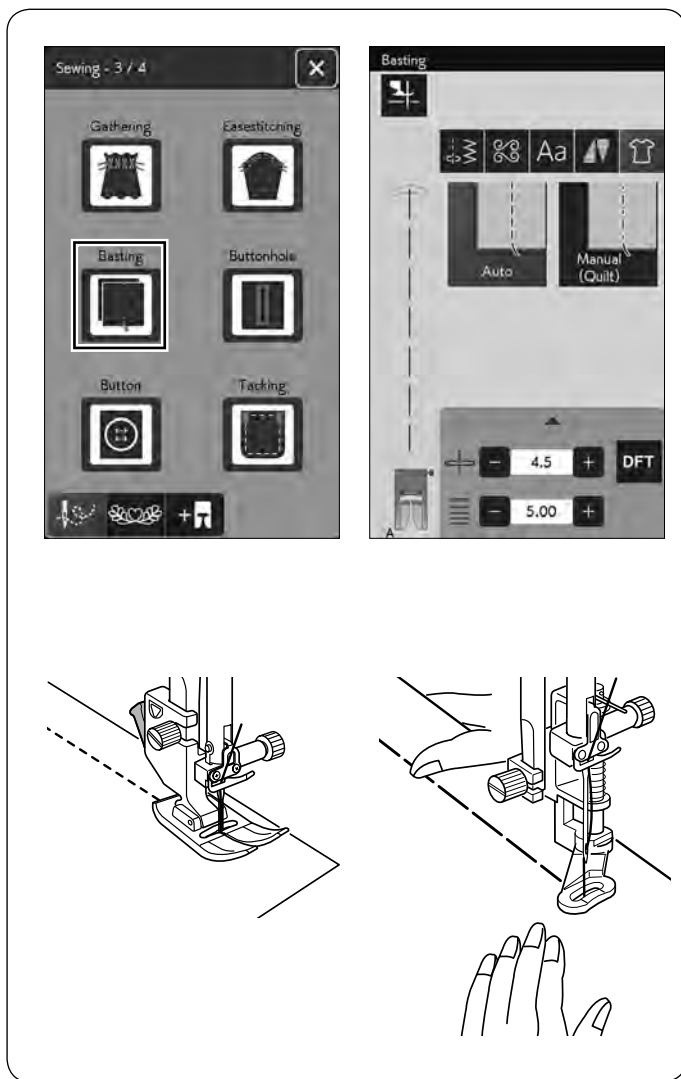
In addition to the regular gathering stitch, this section offers you a special stitch for easing sleeve tops.

Pull both of the threads about 10 cm (4").

Sew a pair of lines, 0.3 cm (1/8") apart, along the edge of the sleeve top.

Pull the bobbin threads to contract the sleeve top carefully, matching it with the armhole size.

Make sure not to make gathers in the sleeve top.



Basting

There are 2 basting stitches available in this section.

Basting (Auto)

This stitch is used for basting zipper tape or fitting of garments.

Sew in the same way as that for straight stitch sewing.

Basting (Manual/Quilting)

Attach the darning foot PD-H.

Drop the feed dogs (refer to page 33).

To sew:

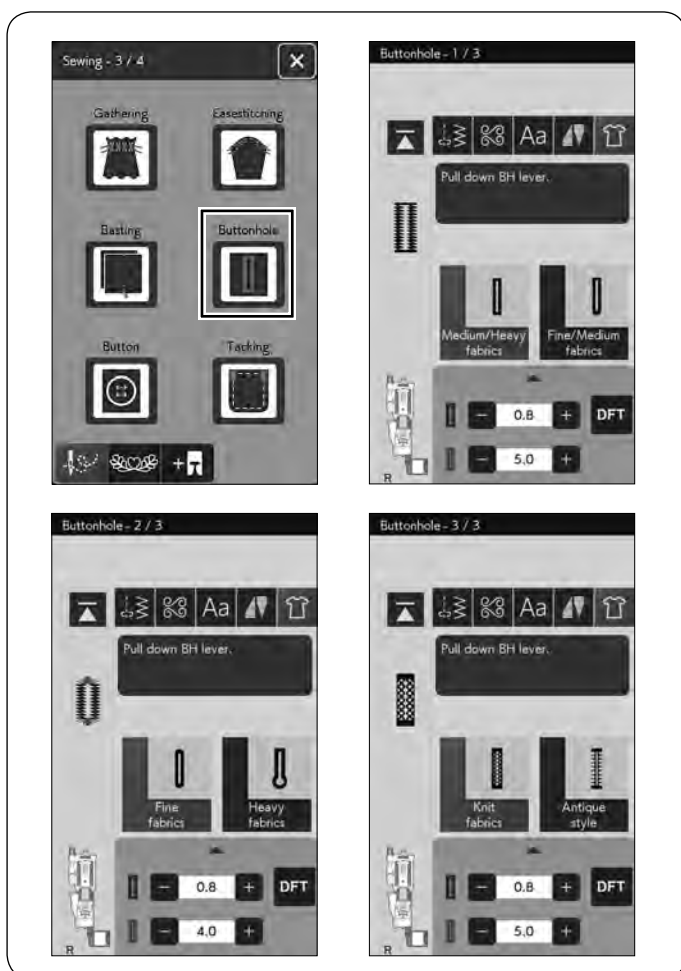
Hold the fabric taut and depress the foot control.

The machine will sew one stitch and stop automatically.

Slide the fabric to the rear for the next stitch.

NOTE:

Refer to page 30 for how to attach the darning foot PD-H.



Buttonhole

Please refer to pages 56-69 for "BUTTONHOLES AND SPECIALTY STITCHES".

Medium/Heavy fabrics

Please refer to pages 57-60 for "B1 Sensor (Square) buttonhole".

Fine/Medium fabrics

Please refer to page 64 for "B3 Round end buttonhole".

Fine fabrics

Please refer to page 64 for "B4 Fine fabric buttonhole".

Heavy fabrics

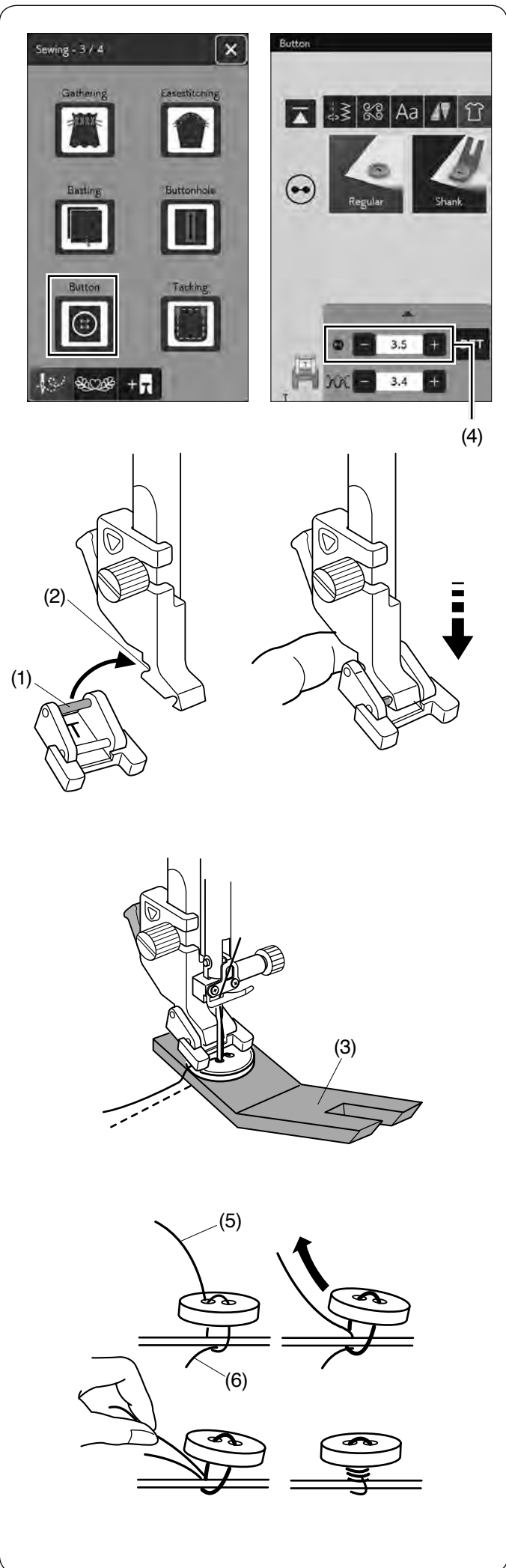
Please refer to page 64 for "B5 Keyhole buttonhole".

Knit fabrics

Please refer to page 64 for "B9 Knit buttonhole".

Antique style

Please refer to page 64 for "B10 Antique buttonhole".



Button

Select “Regular” or “Shank” for attaching button.


For attaching a button to thick fabric, you need to make a shank by using the button shank plate.

Attaching button sewing foot T

Make sure to press the lockout key to lock the machine. Raise the presser foot with the presser foot lifter. Insert the rear pin of the foot into the rear groove of the foot holder.

- (1) Rear pin
- (2) Rear groove

Gently lower the presser foot lifter while holding the foot with your finger to fit the foot. Press the lockout key to unlock the machine.

Select the  key to make a shank by using the button shank plate.

Drop the feed dogs (refer to page 33).

Place a button on the fabric and lower the needle into the left hole of the button by turning the handwheel with your hand.

Insert the button shank plate under the button.

Lower the foot to hold the button in place, aligning the direction of the button.

- (3) Button shank plate

NOTE:

- The shank plate is double-sided.
- The shank plate has two types of thickness: 4.5 mm and 3 mm.
- Those thicknesses provide a space between the button and the garment for tying.
- Choose your desired type.

Raise the needle by turning the handwheel until the needle bar swings to the right.

Press the “+” or “-” key (4) so the needle enters into the right hole of the button. The maximum stitch width is 0.7 cm (1/4”).

Start sewing and continue until the machine stops automatically.

Remove the fabric from the machine.

Cut the all threads leaving at least 10 cm (4”) tails. Trim the thread at the beginning close to the fabric.

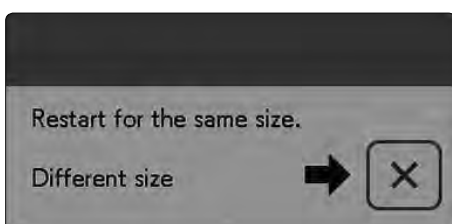
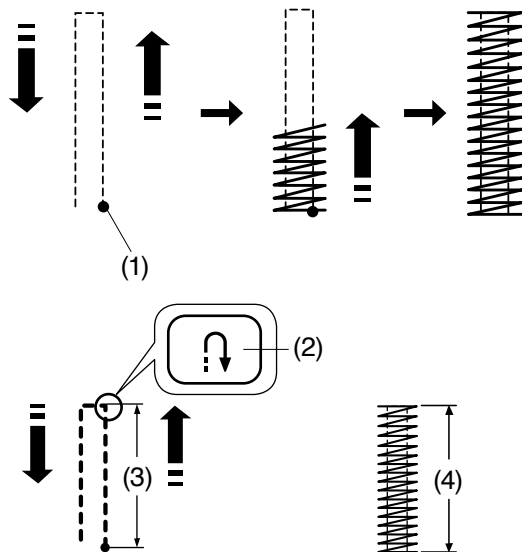
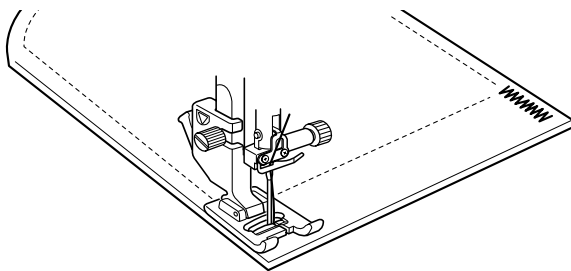
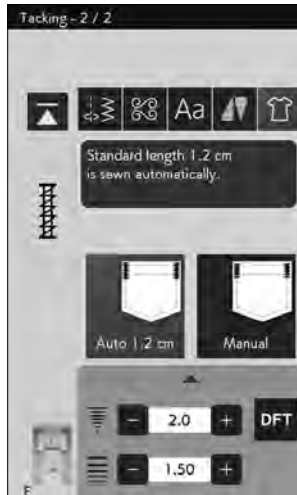
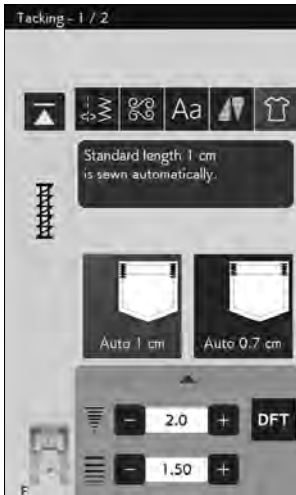
Pass the needle thread at the end of stitching through the left hole in the button, between the button and fabric. Pull the needle thread to bring the bobbin thread up to the right side of the fabric.

- (5) Needle thread at the end
- (6) Bobbin thread

Wind the threads to form a shank and knot them together.

NOTE:

The button shank plate cannot be used if the button is too thick.



Tacking

Tacking is used to reinforce pockets, crotches and belt carriers where extra strength is needed.

There are 3 auto tacking sizes and manual tacking available.

Attach satin stitch foot F.

Auto tacking

Lower the needle at the starting point and start sewing. The machine will sew the tack of the selected size and stop automatically when it is finished.

- (1) Starting point

Manual tacking

Start the machine and sew to the required length, then press the reverse button. This sets the tack length. Continue sewing until the machine stops automatically.

- (2) Reverse button
- (3) Required length
- (4) Tack length

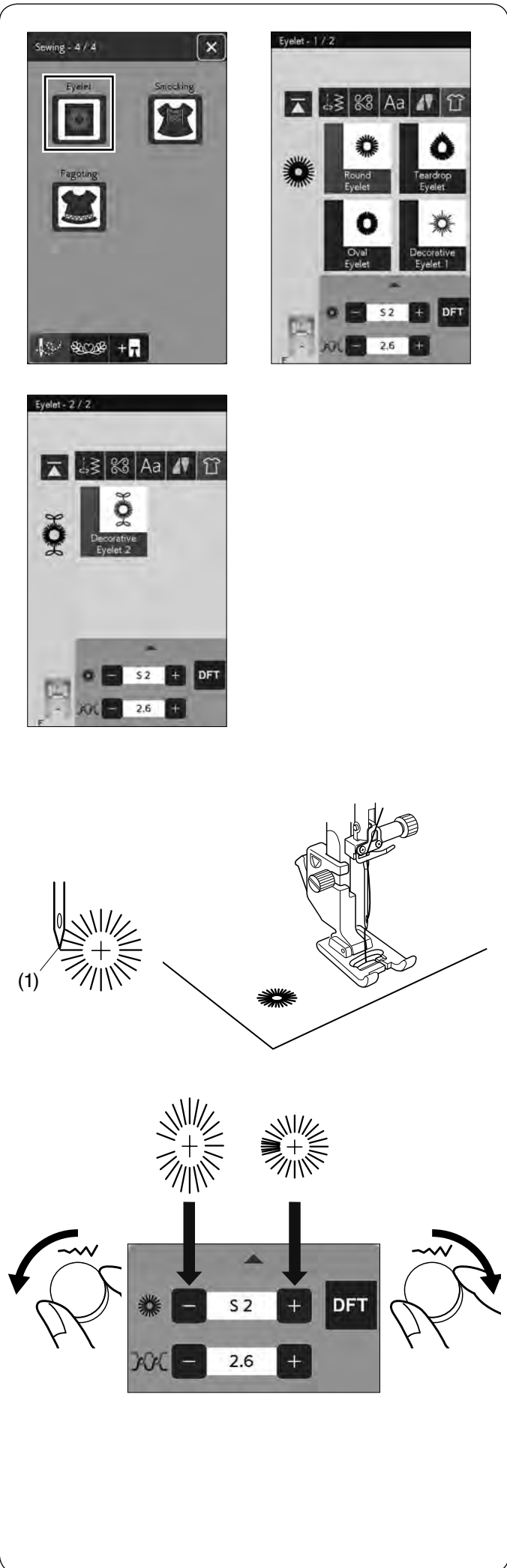
NOTE:

- The maximum length of tacking is 1.5 cm (5/8").
- The memorized length will be cancelled if the presser foot is raised or the startover key (refer to page 87) is pressed before tacking is completed.

To sew the same size tack

To sew another tack in the same size, simply start the machine and sew until the machine stops automatically.

To sew the next tack in a different size, press the X key.



Eyelet

Eyelets are used for belt holes, etc.
Attach satin stitch foot F.

To sew:

Place the garment under the foot and lower the needle to the starting point.

Sew until the machine stops automatically.

(1) Starting point

Open the eyelet with an awl, punch or pointed scissors.

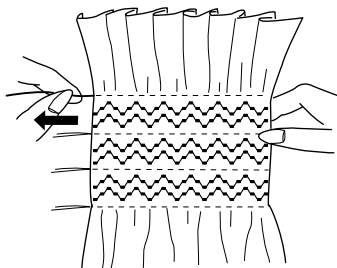
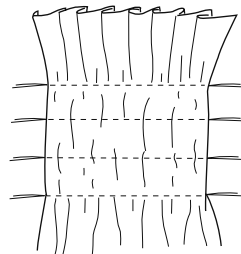
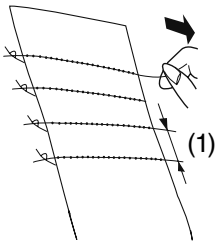
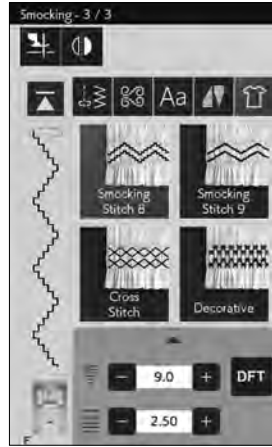
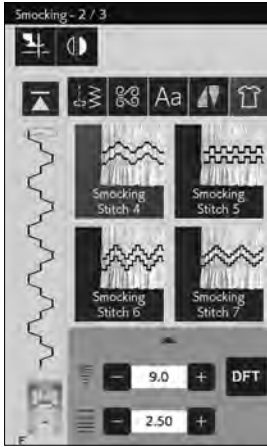
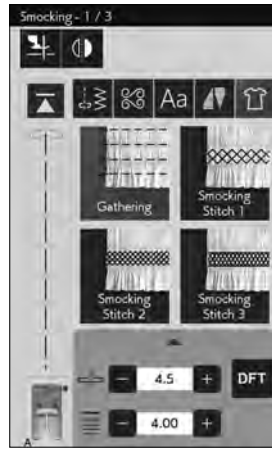
To correct the shape of an eyelet:

If the eyelet is open, turn the stitch width adjusting dial counterclockwise or press the “-” key.

If the eyelet overlaps, turn the stitch width adjusting dial clockwise or press the “+” key.

NOTE:

The shape can be adjusted within S1 to S3 (default setting is S2).



Smocking

Choose a soft, lightweight fabric such as batiste, gingham or challis. Cut the fabric three times wider than the projected width.

NOTE:

The purple tip needle is recommended to prevent skipped stitches.

Gathering

Sew rows of straight stitches, 1.5 cm (5/8") apart to across the area to be smocked.

(1) 1.5 cm (5/8")

Tie the threads along one edge.

Pull the bobbin threads at the end to gather the fabric. Knot the threads at the end and distribute the gathers evenly.

Use an iron to press the gathered fabric.

NOTE:

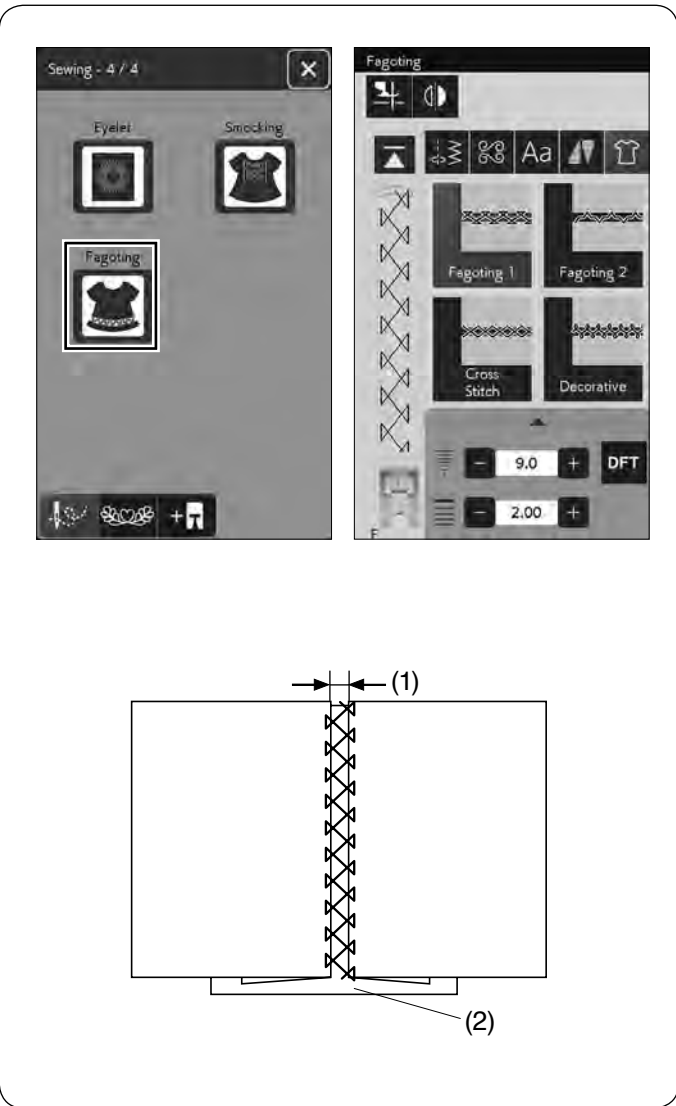
Pull up the bobbin thread and draw a 10 cm (4") thread tail to the back before starting to sew. Use the thread cutter on the face plate.

Smocking stitch

Select a smocking stitch.

Sew the smocking stitches between the gathered rows.

Remove the straight stitches between the gathered rows.



Fagoting

Use this stitch to join two pieces of fabric to create an open work appearance and add design interest.

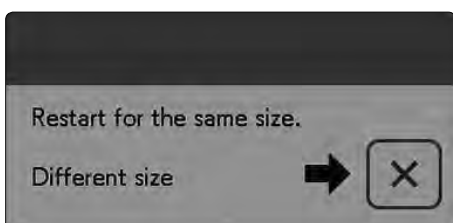
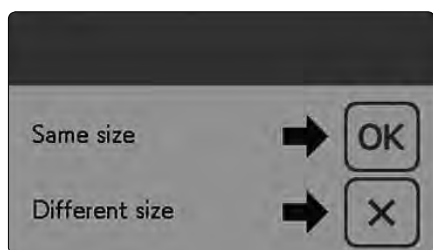
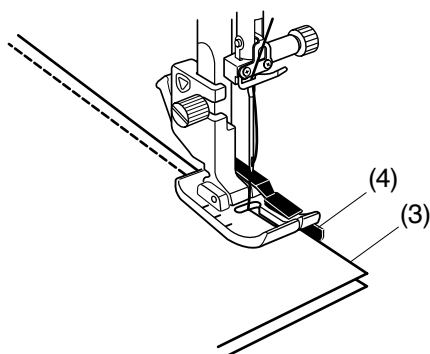
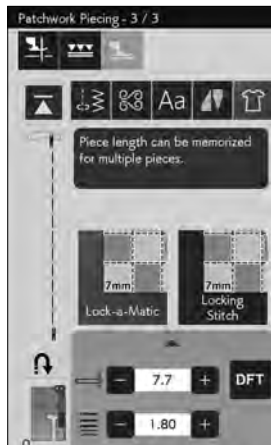
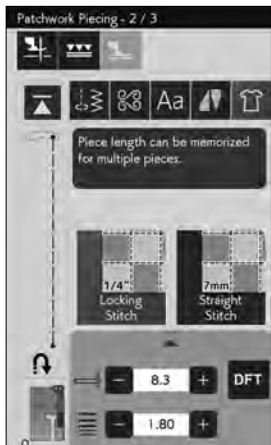
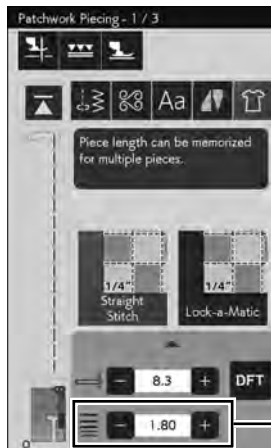
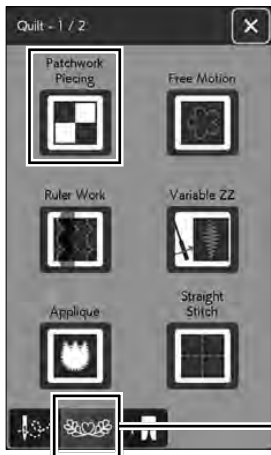
Fold under each fabric edge 1.5 cm (5/8") and press.

Pin the two edges to paper or tear away backing 0.3 cm (1/8") apart.

- (1) 0.3 cm (1/8")
- (2) Paper

Sew slowly, guiding the fabric so the needle catches the folded edge on each side.

After finishing sewing, tear away the paper.



Quilt Application

Press the quilt key and the quilt sewing application menu will open.

- (1) Quilt key

Patchwork Piecing

There are 6 stitches for seaming patchwork pieces in this section.

The default stitch length is set at 1.8 mm, ideal for patchwork piecing, but you can fine tune the stitch length by pressing the "+" or "-" key.

- (2) Stitch length adjustment key

Attach 1/4" seam foot O, which helps you to keep a constant 1/4" (6 mm)* seam allowance.

Put 2 pieces of fabric with the right sides together.

Place the patchwork pieces under the foot so that the edge of the fabric matches the guide on the presser foot.

- (3) Edges of fabric
- (4) Guide on 1/4" seam foot O

* You can choose 1/4" (6 mm) or 7 mm seam allowance.

When you stop the machine, a message will appear.

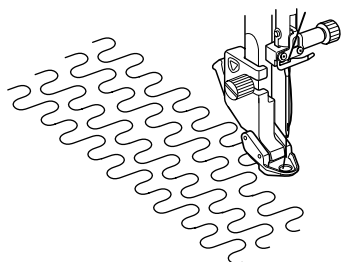
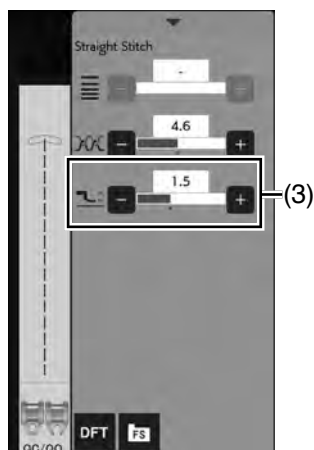
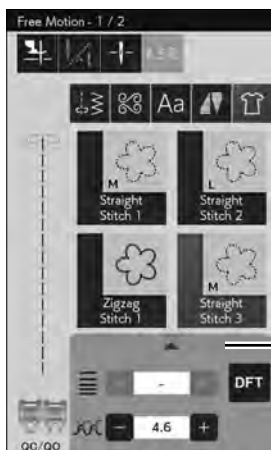
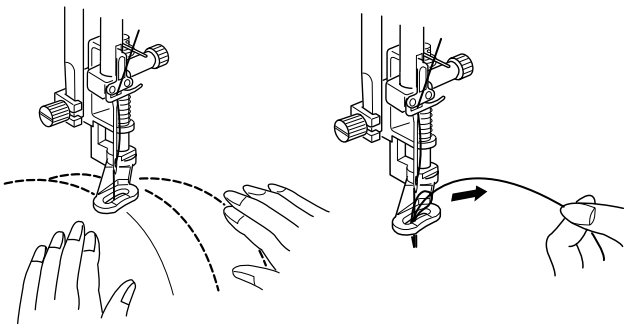
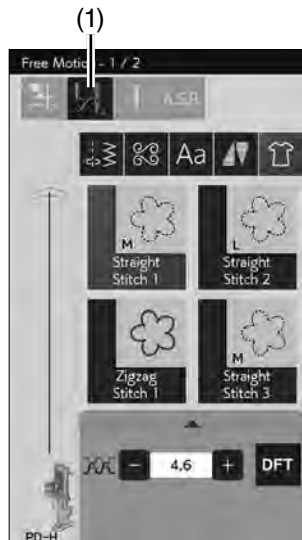
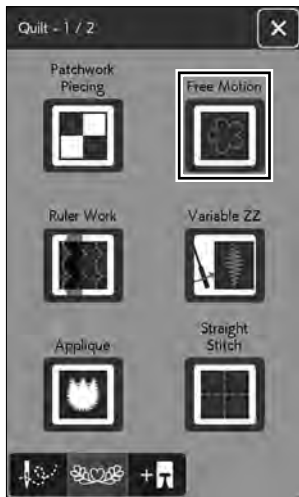
Press the OK key and the machine memorizes the seam length to sew another piece of the same length.

Press the X key to sew in a different size.

After sewing the memorized length, a message will appear.

To sew the same length, start the machine and it will stop automatically after sewing the memorized length.

Press the X key to sew in a different size.



Free Motion

The straight stitch needle plate is recommended for “Straight Stitch 1”, “Straight Stitch 2”, “Straight Stitch 3” and “Straight Stitch 4” (refer to page 32 for how to replace the needle plate).

For ordinary and bulky quilts, select “Straight Stitch 1”, “Straight Stitch 2” or “Zigzag Stitch 1”, and use darning foot PD-H (refer to page 30 for how to attach the darning foot).

Select “Straight Stitch 3”, “Straight Stitch 4” or “Zigzag Stitch 2” for flatter quilts and use one of the free quilting feet QC, QO or QV.

Refer to page 120 (same as button sewing foot T) for how to attach the free quilt feet.

One Stitch Off

The machine stops automatically after sewing one stitch so that you can bring the bobbin thread up to prevent it from bunching up on the wrong side of the fabric.

Leave a 10 cm (4”) tail of bobbin thread.

Hold the needle thread and start the machine. Sew one stitch and the machine stops automatically.


Pull the needle thread up to bring the bobbin thread up.

Hold both the needle and bobbin threads and sew several stitches to secure the threads.

You can trim the thread tails with scissors.

The machine will stitch continuously when you resume sewing.

If you wish to start sewing without “one stitch off”, press the one stitch off key to cancel this function.

The key icon changes to .

When “one stitch off” is active, the key icon shows .

(1) One stitch off key

To sew

Drop the feed dogs (refer to page 33). Sew at medium speed while guiding the fabric with your hands.

Move the quilt 3 mm or less per stitch.

Foot Height for Free Motion Quilting

When “Straight Stitch 3”, “Straight Stitch 4” or “Zigzag Stitch 2” is selected, the height of the down position of the free motion quilting feet (QC, QO, QV) is optimized automatically.

However, you can fine tune the foot height according to the quilt thickness.

Place the fabric under the foot and lower the foot.

Press the setting bar to expand the manual setting window.

You can finely adjust the presser foot height by pressing the “+” or “-” key on the manual setting window.

(2) Setting bar

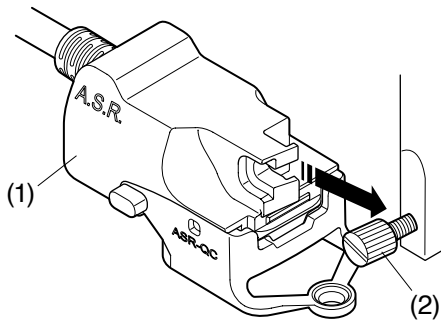
(3) Presser foot height adjustment key

Reduce the height if the fabric bounces when sewing. Increase the height if the foot gets trapped in the fabrics when sewing.

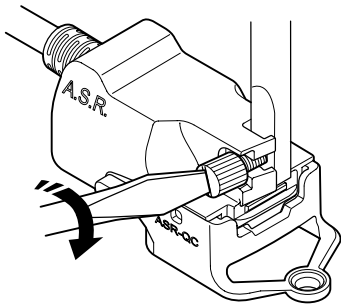
NOTE:

- The purple tip needle is recommended to prevent skipped stitches.
- Do not move the quilt layers toward you when the open-toe foot is attached.

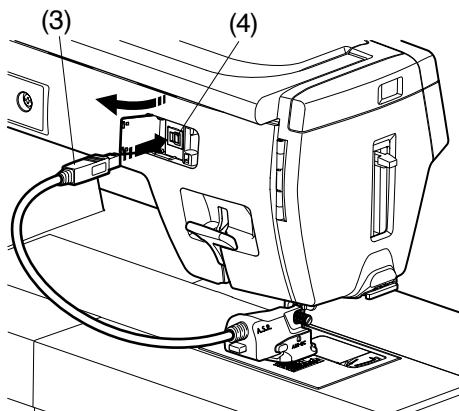
1.



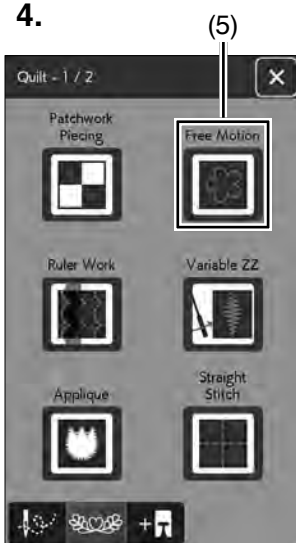
2.



3.

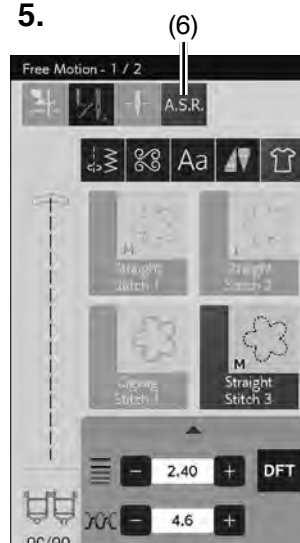


4.



(5)

5.



(6)

Accurate Stitch Regulator Function/A.S.R. Foot Holder

The A.S.R. foot holder (Accurate Stitch Regulator foot holder) reacts to movement of the fabric and provides the same stitch length for free motion, ruler work or variable zigzag.

1. Remove the foot holder (refer to page 29).

Attach the A.S.R. foot holder to the presser bar.

(1) A.S.R. foot holder

Tighten the thumbscrew with your fingers.

(2) Thumbscrew

2. Tighten the thumbscrew securely with the screwdriver.

3. Insert the A.S.R. plug into the attachment connector on the rear of the machine.

(3) A.S.R. plug

(4) Attachment connector

4. Press "Free Motion".

(5) Free Motion

Drop the feed dogs (refer to page 33).

5. Press "Straight Stitch 3", "Straight Stitch 4" or "Zigzag Stitch 2".

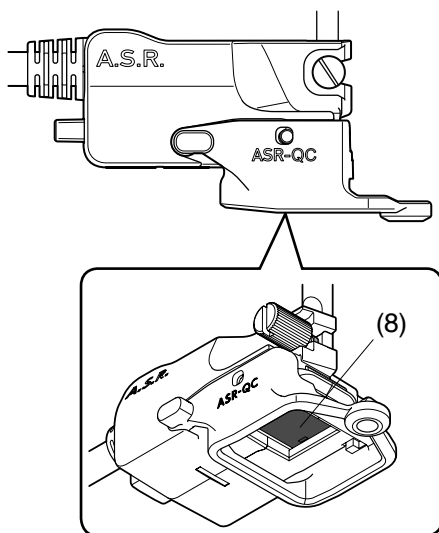
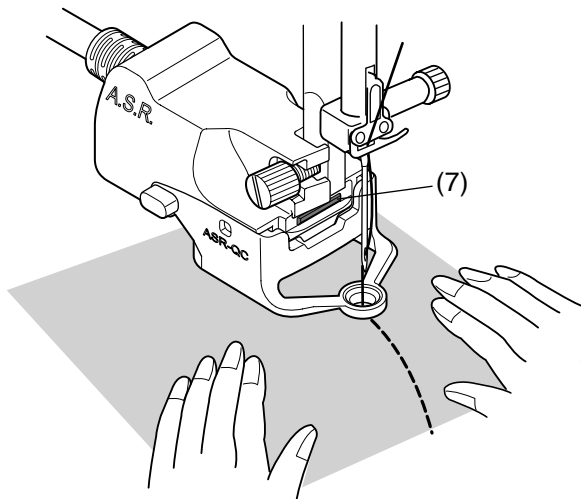
Press the A.S.R. key.

(6) A.S.R. key

NOTE:

- Patterns not suitable for Accurate Stitch Regulator function are grayed out.
- The A.S.R. key will gray out if the A.S.R. plug is not inserted to the attachment connector.

6.



6. Sew the fabric while guiding it with your hands.
The status indicator will turn red during operation.
The buzzer sounds and the stitch length will be longer than the setting when the fabric moves too fast.

(7) Status indicator

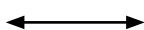
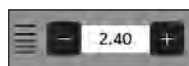
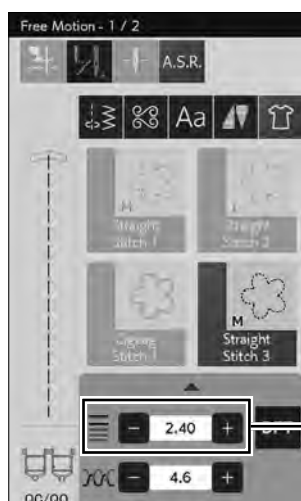
* The A.S.R. foot holder also can be used with ruler work or variable zigzag (refer to the next page).

7. Be sure to pull out the A.S.R. plug from the attachment connector on the back of the machine to remove the A.S.R. foot holder.

NOTE:

- Set the speed control slider at the fastest position (refer to page 15).
- Sewing results may vary depending upon sewing conditions. Always make a test stitch on an extra piece of fabric to check sewing results. Move the speed control slider to set the sewing speed to middle if the stitch length become too short when the fabric guiding with your hands.
- The machine sews at low speed when you are not guiding fabric.
- Accurate Stitch Regulator sensor cannot detect fabric movement in the area 2 cm (3/4") from the rear side edge of the fabric (the sensor only can detect the fabric movement under the sensor).
- The machine sews at low speed in the area 2 cm (3/4") from the edge of the fabric.
- Regularly check if the inside of the sensor on the underside of the A.S.R. foot holder is not dirty.
- Regularly clean the black window on the underside of the A.S.R. foot holder with a soft cloth.

(8) Sensor



(-) (+)

Adjusting stitch length

The stitch length varies depending on (the color or thickness of) the fabric or the presser height.

Press the adjust key to adjust stitch length.

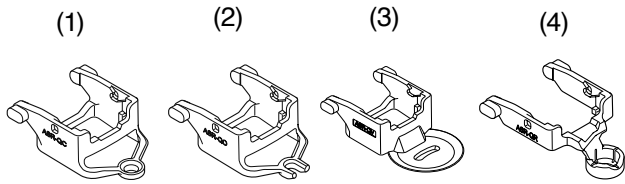
Press the "+" key to increase the stitch length.

Press the "-" key to decrease the stitch length.

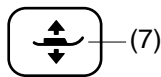
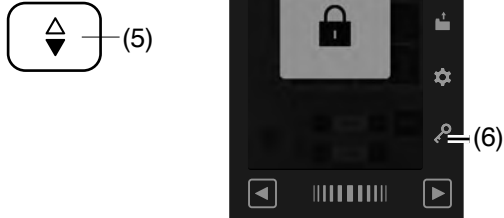
(9) Stitch length adjustment key

NOTE:

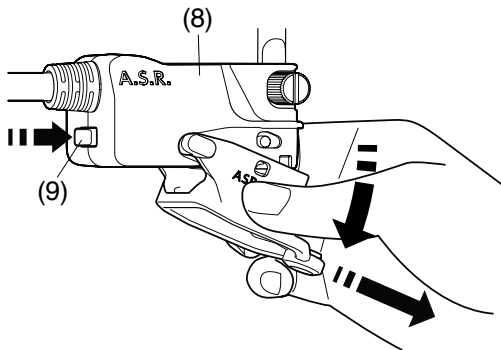
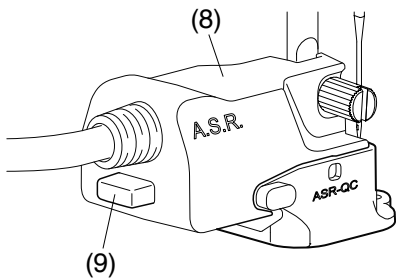
The adjustable stitch length range is 1.00 mm to 4.00 mm.



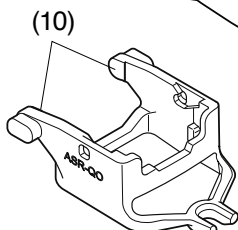
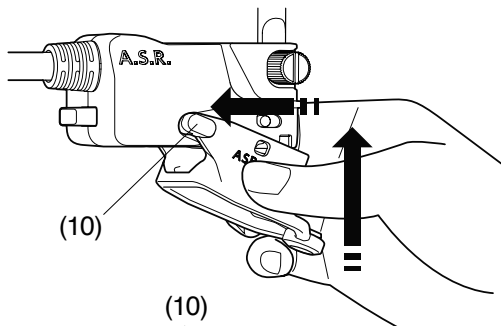
1.



2.



3.



Changing the Foot Attachment

This foot holder comes with the A.S.R. closed-toe foot ASR-QC attached. However, it is also compatible with the A.S.R. open-toe foot ASR-QO, the A.S.R. clear view foot ASR-QV, and the A.S.R. ruler work foot ASR-QR.

- (1) A.S.R. closed-toe foot ASR-QC
- (2) A.S.R. open-toe foot ASR-QO
- (3) A.S.R. clear view foot ASR-QV
- (4) A.S.R. ruler work foot ASR-QR

Refer to pages 130 and 131 for ruler work or variable zigzag settings.

CAUTION:

Always make sure to press the lockout key before replacing the presser foot.

1. Press the needle up/down button to raise the needle.
Press the lockout key.
Press the presser foot lifter button to raise the presser foot.
 - (5) Needle up/down button
 - (6) Lockout key
 - (7) Presser foot lifter button
2. To remove the foot, pull the A.S.R. foot in the direction of arrows while pushing the button on the backside of the A.S.R. foot holder.
 - (8) A.S.R. foot holder
 - (9) Button
3. To attach the foot, set both ends to the A.S.R. foot holder and push the foot up to fit in place.
 - (10) Both ends

Ruler Work

CAUTION:

Do not lower the needle while the foot is raised, otherwise the needle clamp may hit the foot and cause injury or breakage.

Guide the foot along the quilting template (optional) to create straight, curved or repetitious patterns depending on the shape of the ruler.

Drop the feed dogs (refer to page 33).

Attach the ruler work foot QR when “Ruler Work” is displayed as shown.

Use the straight stitch needle plate for better results (refer to page 33).

Refer to page 30 for how to attach the ruler work foot QR.

Place the fabric under the ruler work foot QR.

Adjust the presser foot height to suite the quilt thickness.

For ordinary and bulky quilts, select “Medium”.

For flatter quilts, select “Light”.

- (1) Medium
- (2) Light

Press the setting bar to expand the manual setting window.

You can finely adjust the presser foot height by pressing the “+” or “-” key on the manual setting window.

- (3) Setting bar
- (4) “+” key
- (5) “-” key

Attach the A.S.R. foot and press A.S.R. key to use A.S.R. function (refer to pages 127-129).

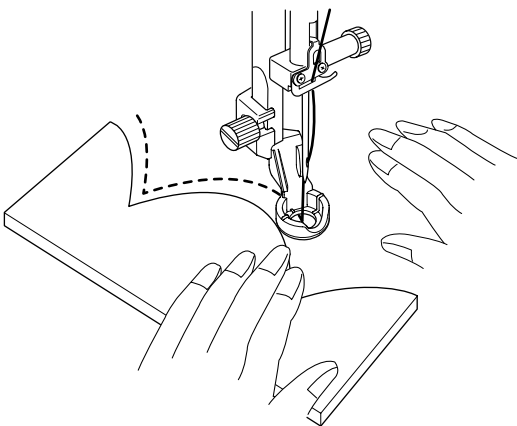
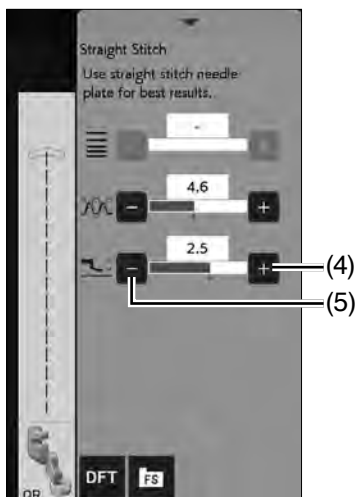
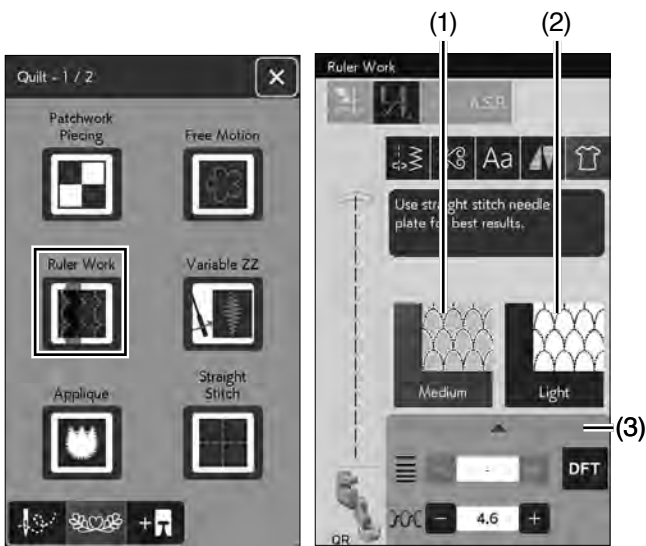
Use the A.S.R. ruler work foot ASR-QR for ruler work.

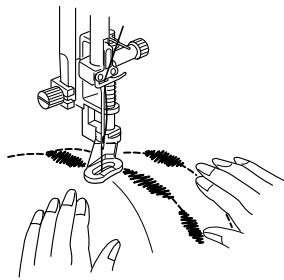
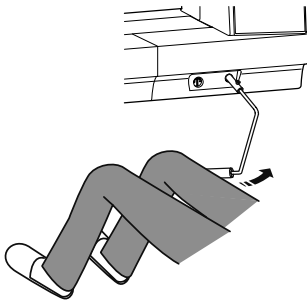
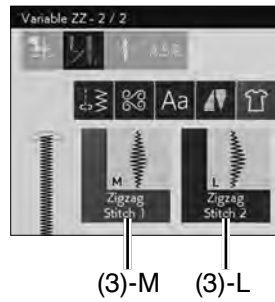
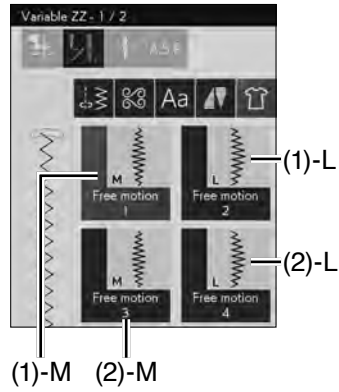
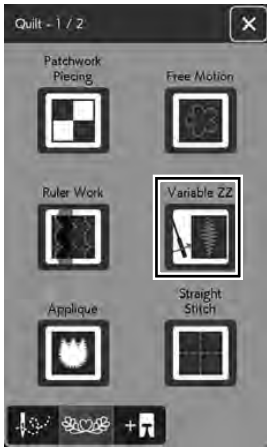
Place the quilting template on the edge of the ruler work foot QR.

Sew while guiding the fabric and ruler together along the edge of the ruler work foot QR.

NOTE:

- A ruler (quilting template) for ruler work sewing is required.
- Use the ruler (quilting template) for high shank or long arm quilting machines (4.5 mm - 6.35 mm thickness).
- When you use the A.S.R. function, printing, marks or tape on the upper side of ruler can cause stitching length problems. Place printing, marks or tape on the lower side of the ruler.
- Opaque or colored rulers can cause stitching length problem. Use a transparent ruler.
- The purple tip needle is recommended to prevent skipped stitches.





Variable ZZ

This unique feature allows you to control zigzag width with the knee lifter.

Select (1)-M or (1)-L, using darning foot PD-H for sewing quilt layers. Drop the feed dogs (refer to page 33). Guide the fabric with your hands while sewing.

Select (2)-M or (2)-L, using clear view free quilt foot QV or variable zigzag foot QZ (refer to page 120 for how to attach the foot: same as button sewing foot T) for sewing flat and firm fabrics. Drop the feed dogs (refer to page 33). Guide the fabric with your hands while sewing.

The A.S.R. key can be used when selecting (2)-M or (2)-L (refer to page 127).

Select (3)-M or (3)-L, using the satin stitch foot F for sewing variable zigzag stitches.

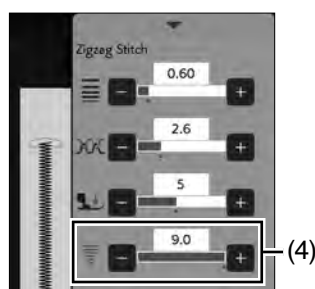
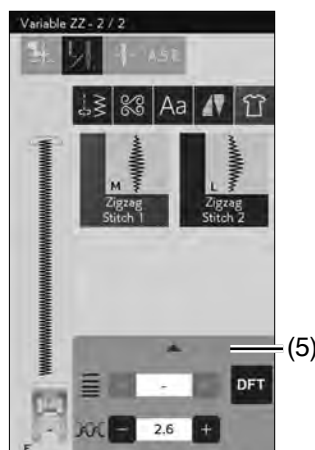
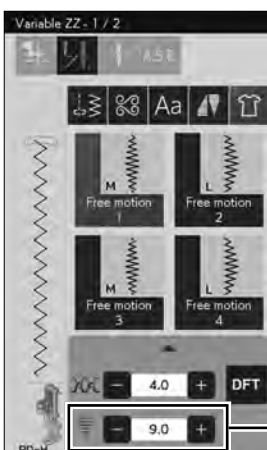
The fabric is fed by the feed dogs and the stitch width can be varied with the knee lifter.

Attach a stabilizer to the wrong side of the fabric if needed.

Sew at slow to medium speed while guiding the fabric with your hands and controlling the stitch width with your knee.

NOTE:

- When the machine stops, you can raise and lower the presser foot with the knee lifter.
- The purple tip needle is recommended to prevent skipped stitches.



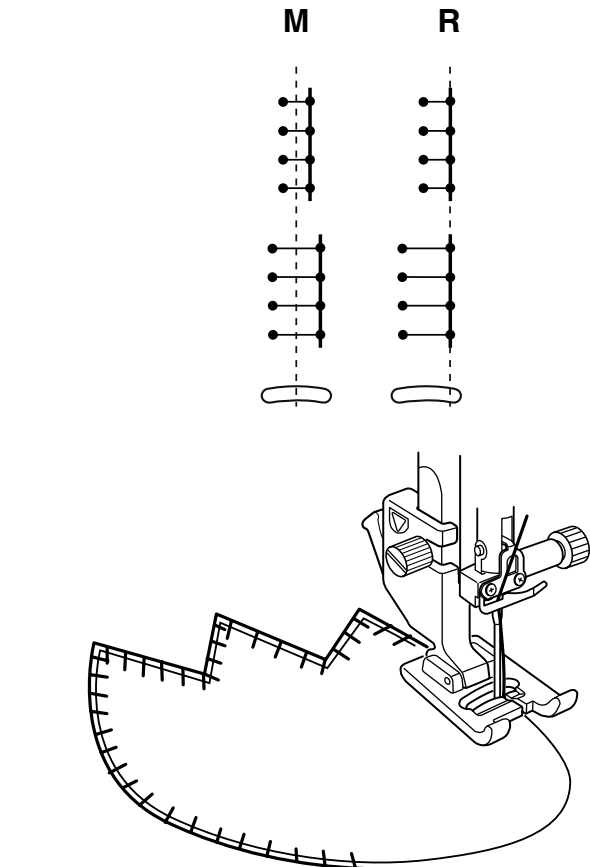
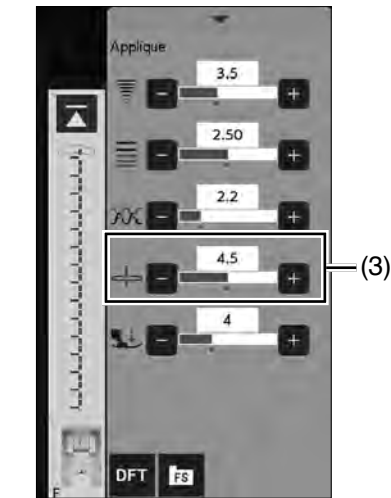
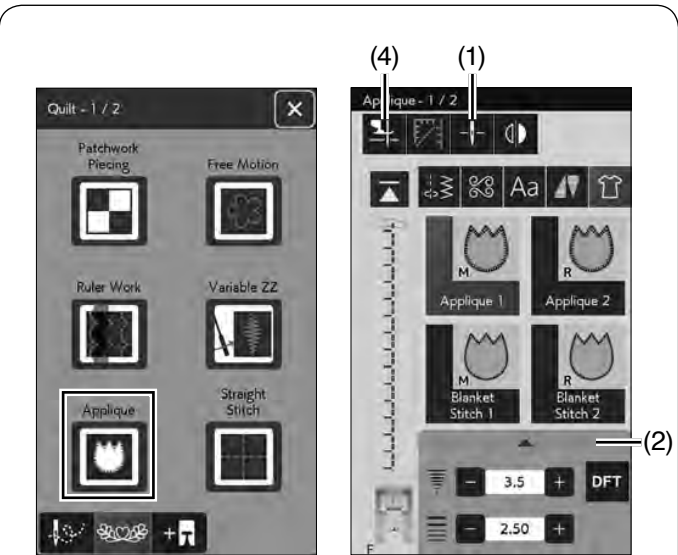
Maximum Zigzag Width Adjustment

The maximum zigzag width can be limited to suit your sewing needs.

Press the “+” or “-” key beside the maximum zigzag width setting to limit the maximum zigzag width to your preference.

For the variable zigzag stitches with “Free motion 3”, “Free motion 4”, “Zigzag Stitch 1” and “Zigzag Stitch 2”, press the setting bar to open the maximum zigzag width setting.

- (4) Maximum zigzag width setting key
- (5) Setting bar



Applique

There are 6 types of applique stitches available in this section.

You can select the needle stop position to be either up or down by pressing the needle stop position key.

- (1) Needle stop position key

The letter on the stitch image denotes the baseline of the needle drop position.

M: Middle (center)

R: Right

Press the setting bar to expand the manual setting window.

- (2) Setting bar

The baseline can be adjusted without changing the stitch width by pressing the “+” or “-” key.

- (3) Needle drop position adjustment key

Pivoting at applique corners

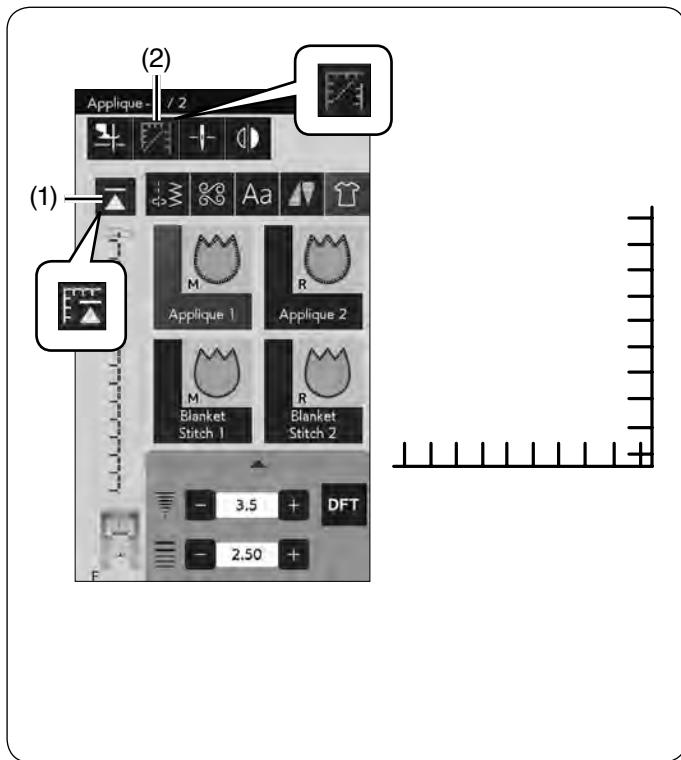
When sewing an applique with sharp corners, you may turn on the “Foot up for pivoting” option so that the presser foot automatically goes up when the machine stops.

Press the foot-up key to turn on this option.

- (4) Foot-up key

NOTE:

Make sure to stop the machine with the needle dropped at the outer edge of the applique.



Starting over from the corner

Press the startover key before sewing in the new direction to sew from the beginning of the pattern.

- (1) Startover key

Two of startover options are available for applique stitches. Press the cornering key to select normal startover or cornering startover.

The key icon will change to show which option is being selected when pressing the key.

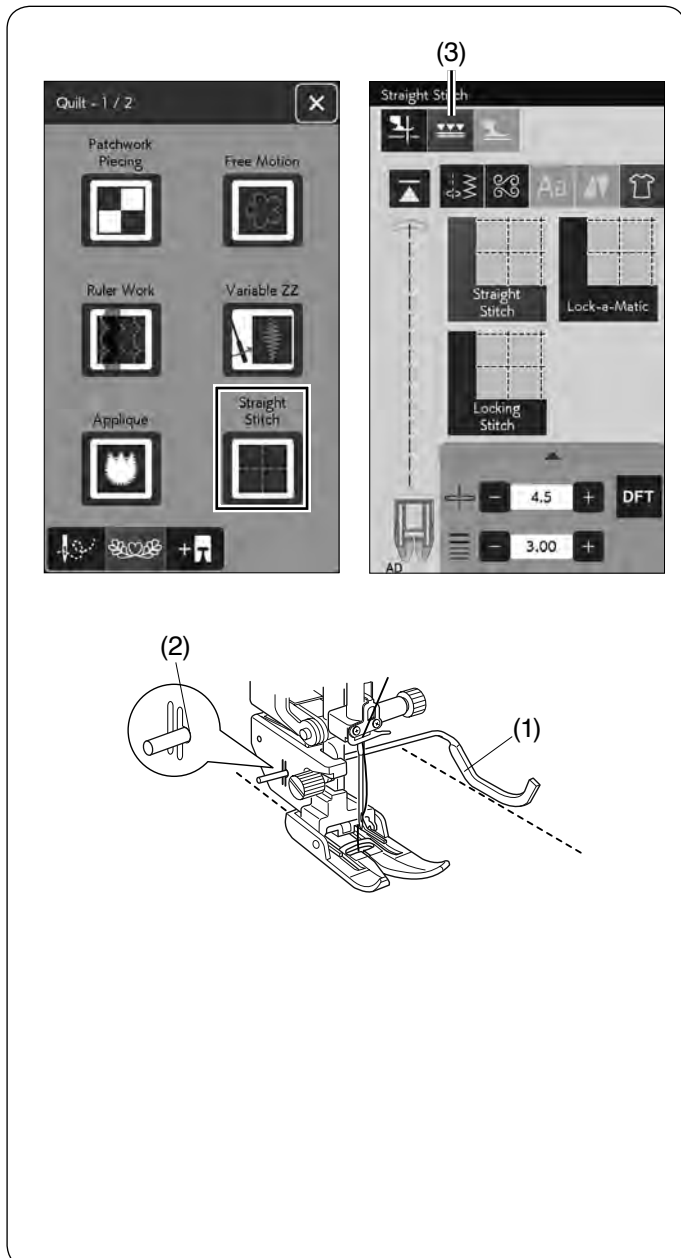
- (2) Cornering key

Normal startover:

Sew a locking stitch then start sewing from the beginning of the pattern.

Cornering startover:

Start sewing from the beginning of the pattern without a locking stitch.



Straight Stitch (with Dual Feed)

Straight stitches in this section are suitable for seaming quilt layers using the dual feed foot (refer to page 31 for how to attach it). Refer to page 78 if you wish to use zigzag foot A with a quilting guide bar.

Quilting guide bar for dual feed foot

The quilting guide bar is helpful when sewing parallel, evenly spaced rows of stitching.

Insert the quilting guide bar into the hole in the rear of the foot holder.

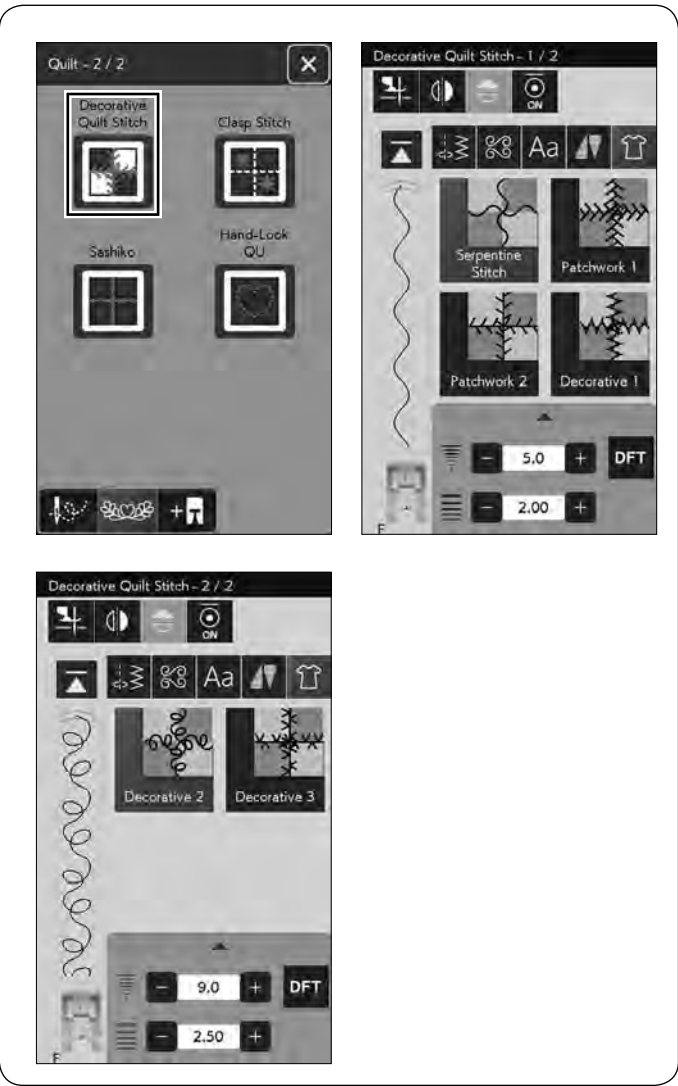
Shift the quilting guide bar to the desired spacing.

- (1) Quilting guide bar
- (2) Hole

Press the dual feed key.

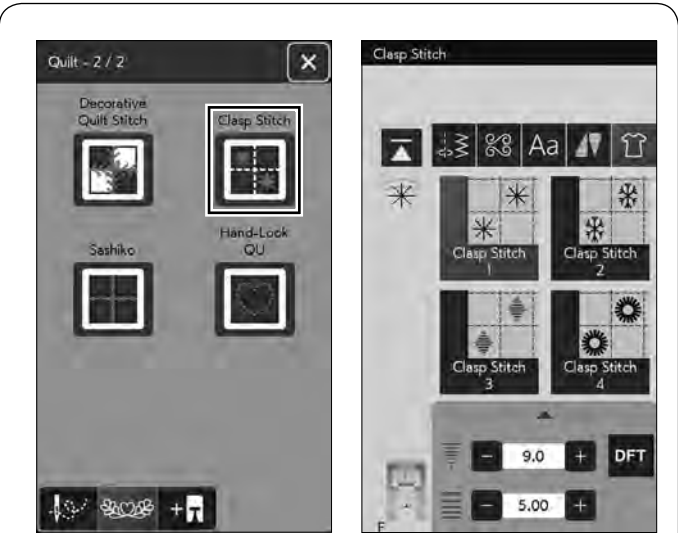
- (3) Dual feed key

Sew rows of stitching while tracing the previous row of stitches with the quilting guide bar.



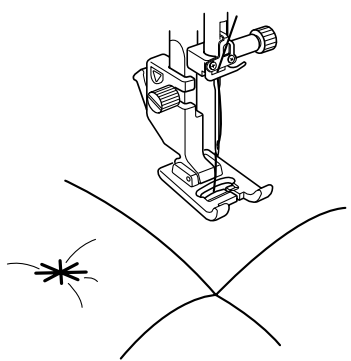
Decorative Quilt Stitch

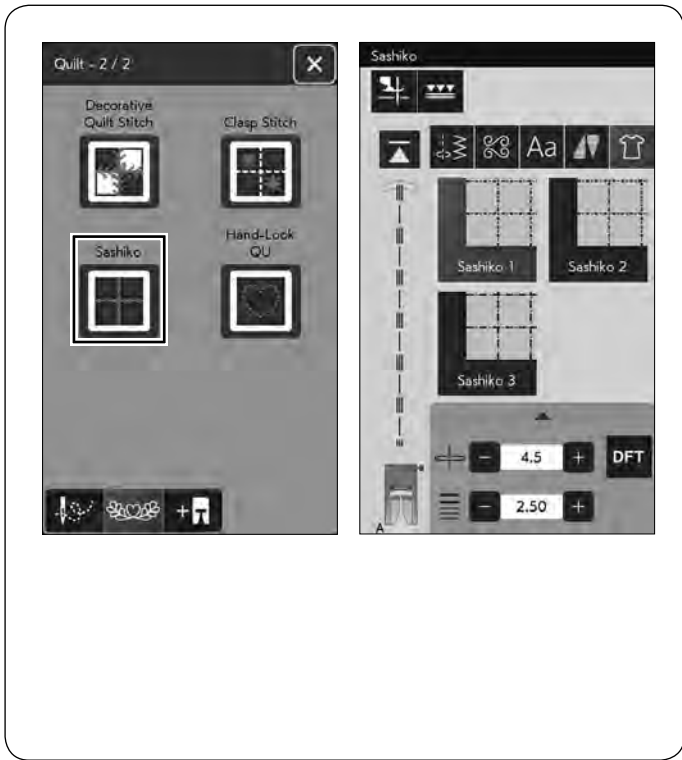
You can decorate the seam on the quilt or patchwork fabric with decorative quilt stitches.
Use satin stitch foot F.



Clasp Stitch

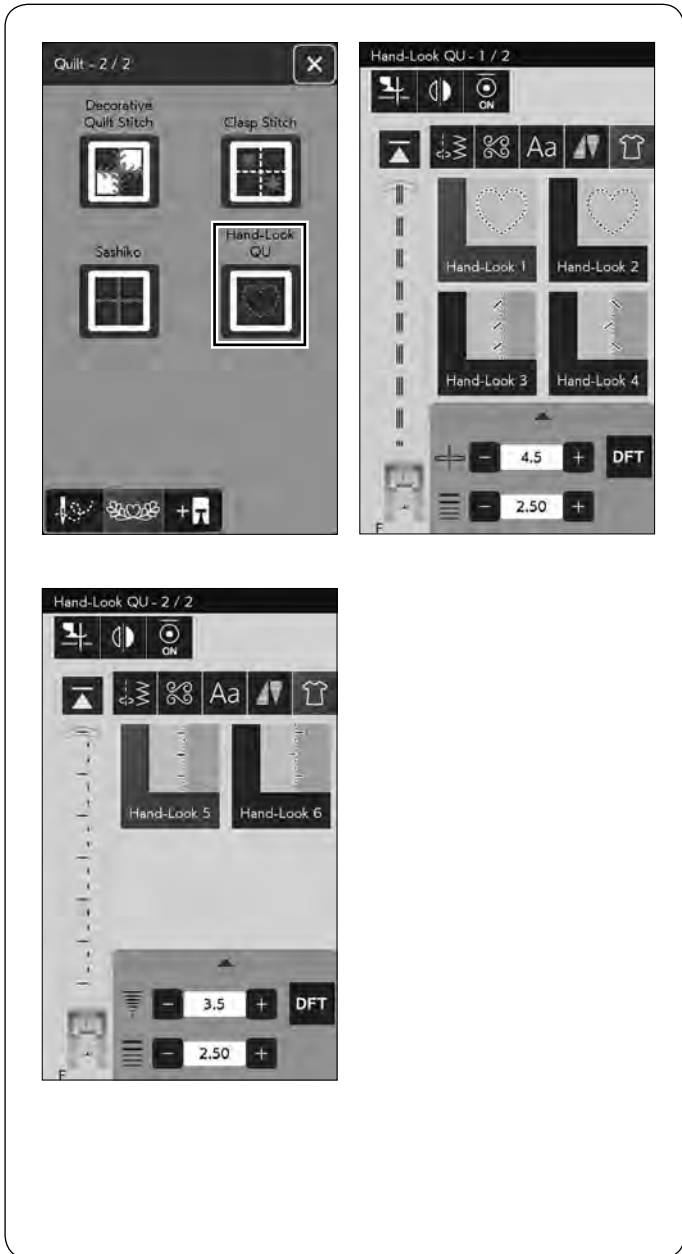
You can close quilt layers and batting using the clasp stitch.
Use satin stitch foot F.
The machine sews one unit of the pattern and automatically stops with the needle in the up position when completed.





Sashiko

These stitches are used to create a mock Sashiko stitching.

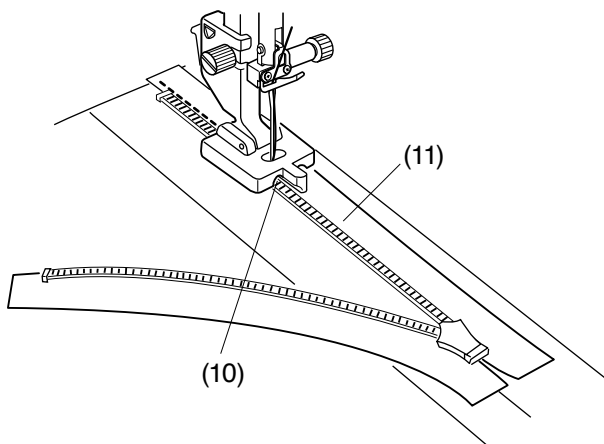
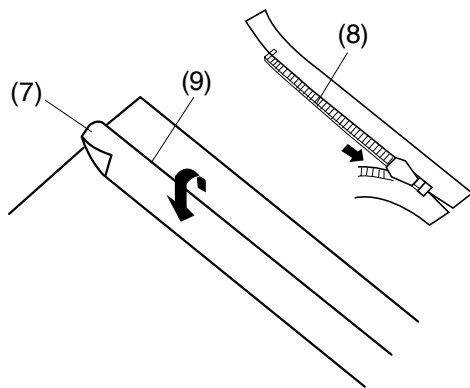
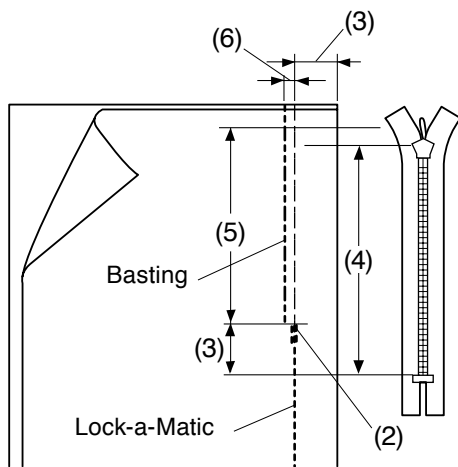


Hand-Look QU

Use a transparent nylon thread for the needle and ordinary sewing thread for the bobbin.
The bobbin thread is pulled up on the right side of the fabric and the stitches will look as if sewn by hand.



(1)



Invisible Zipper (Optional)

Press the optional foot key and the optional sewing application menu will open.

(1) Optional foot key

Press the Invisible Zipper/CONCEAL® Zipper* key and the window will show the step-by-step keys.

Prepare an invisible zipper 2 cm (3/4") longer than the opening size.

Press the sewing step key and machine settings will automatically adjust to suit each sewing step.

* "CONCEAL" is a registered trademark of YKK Corporation.



Lock-a-Matic

Attach zigzag foot A. Place the right sides of the fabric together and sew to the end of the opening with a 2 cm (3/4") seam allowance. Press the reverse button to lock the seams.

- (2) End of opening
- (3) 2 cm (3/4")
- (4) Zipper size
- (5) Opening size



Basting

Baste the opening 0.3 cm (1/8") inside of the seam line.

- (6) 0.3 cm (1/8")

Fold up the left seam allowance to the bodice. Open the zipper and put it on the right seam allowance with the back side up.

Place the right zipper teeth next to the fold and pin it in place.

- (7) Left seam allowance
- (8) Zipper teeth
- (9) Fold



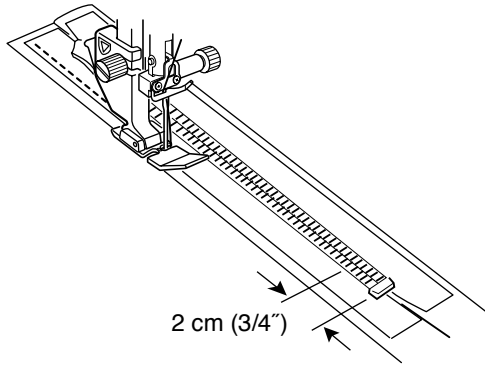
Right of teeth

Replace the foot with invisible zipper foot Z.

Raise the zipper teeth on the right and lower the foot so the left groove of the foot catches the zipper teeth. Stitch through the zipper tape and fabric up to the end of the opening.

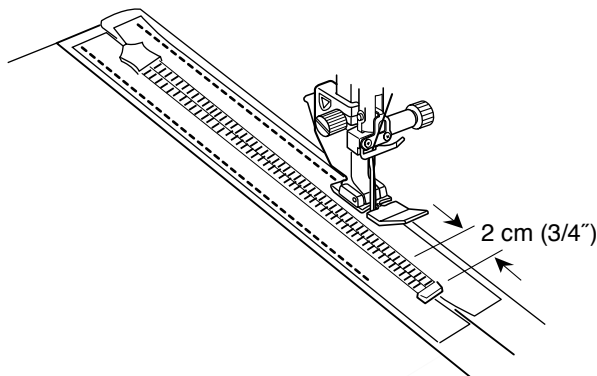
Reverse the stitches to secure the seam.

- (10) Left groove
- (11) Zipper tape



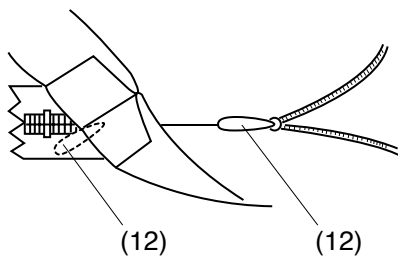
Left side of tape

Raise the foot and close the zipper.
 Replace the foot with zipper foot E.
 Turn and fold the bodice to the right. Seam along the edge of the left zipper tape and reverse the stitches 2 cm (3/4") before the zipper bottom.



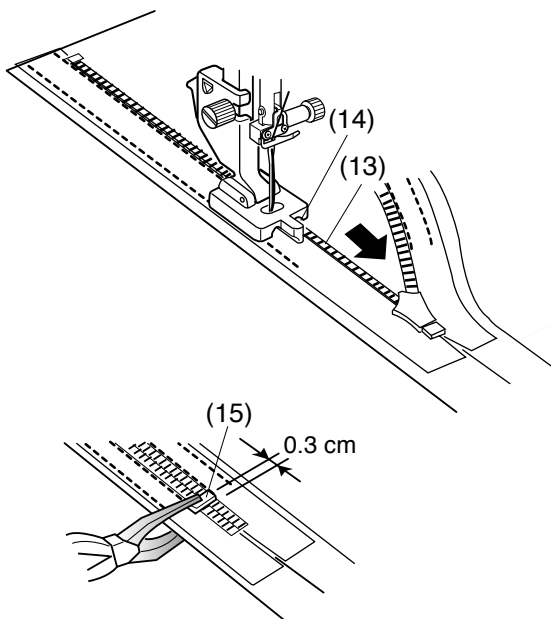
Right side of tape

Turn and fold the bodice to the left.
 Seam along the edge of the right zipper tape and reverse the stitches 2 cm (3/4") before the zipper bottom.



Left of teeth

Raise the foot and replace it with invisible zipper foot Z.
 Remove the basting stitches.
 Open the zipper and insert the pull tab between fabric and zipper tape to allow the slider to reach the stopper.
 (12) Pull tab

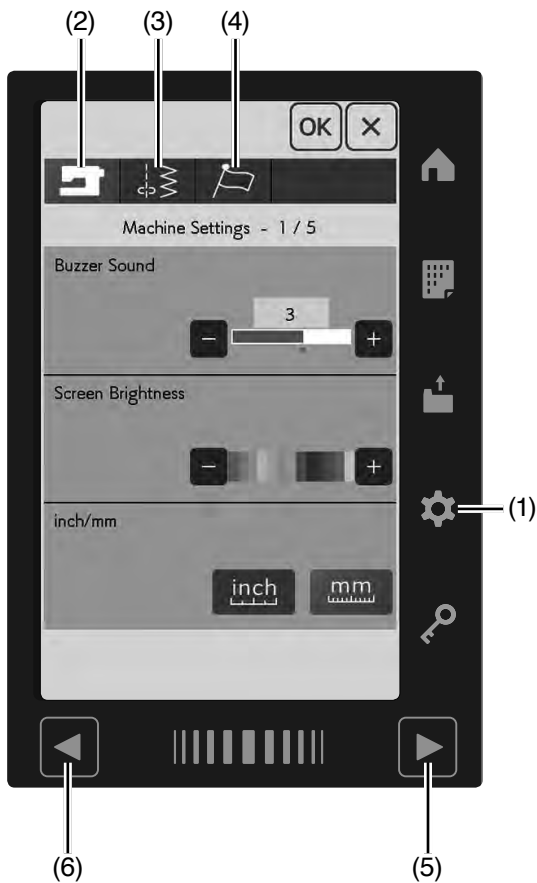


Raise the zipper teeth on the left and lower the foot so the right groove of the foot catches the zipper teeth.
 Stitch through the zipper tape and fabric up to the end of the opening. Reverse the stitches to secure the seam.

- (13) Zipper teeth
- (14) Right groove

Slide up the stopper to 0.3 cm (1/8") below the end of the opening and fasten the stopper with pliers.

- (15) Stopper



CUSTOMIZING MACHINE SETTINGS

Press the set mode key to enter the machine setting mode.

You can select various options and customize the machine settings to suit your personal preference.

(1) Set mode key

Press one of the 3 keys to select the mode to customize.

(2) Machine setting mode key

Press the machine setting mode key to enter the machine setting mode.

In this mode, you can customize the general machine settings and options.

(3) Sewing setting mode key

Press the sewing setting mode key to enter the sewing setting mode.

In this mode, you can customize the machine settings and options for ordinary sewing (refer to pages 142-145 for the operation).

(4) Language setting mode key

Press the language setting mode key to enter the language setting mode. In this mode, you can select the desired language for screen messages.

To browse pages in each mode, press the next page key or previous page key.

(5) Next page key

(6) Previous page key

Registering the custom settings

After customizing the settings, press the OK key to enable the new settings.

To cancel the changes to the settings, press the X key and the setting mode window will close.

Machine Setting Mode

(1) Buzzer Sound

The signal sound can be adjusted by pressing the “+” or “-” key.

Set the value to “OFF” by pressing the “-” key several times to mute the signal sounds.

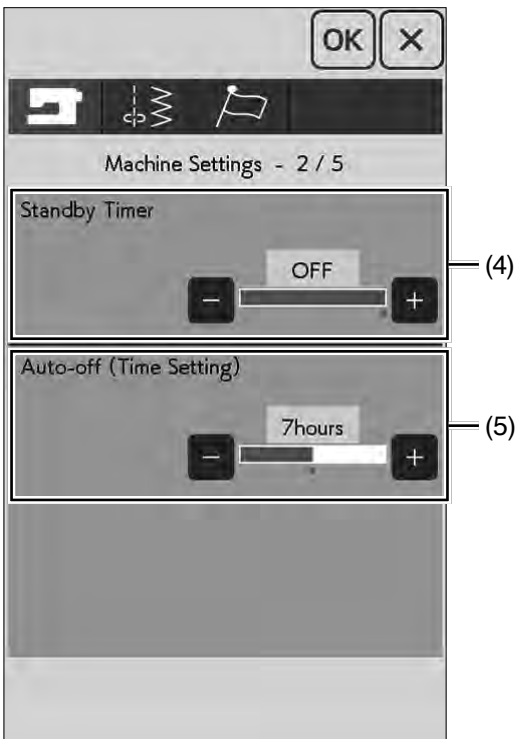
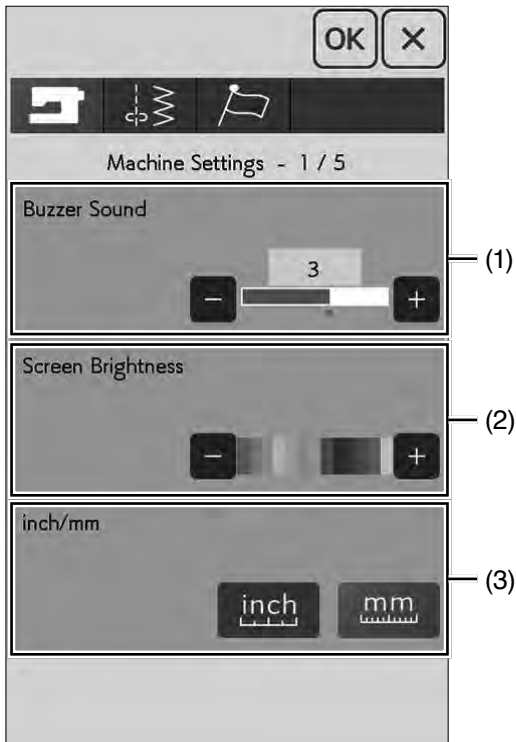
(2) Screen Brightness

You can adjust the brightness of the visual touch screen by pressing the “+” or “-” key.

(3) inch/mm

You can set your machine’s dimensional unit to either inches or millimeters by pressing the “inch” or “mm” key. The default unit is millimeters.

Press the next page key to show the next menu.



(4) Standby Timer

The sewing lights will turn off and the machine will enter standby mode if you do not use the machine within the time period set by this timer. Doing any operation will turn the lights and screen on again.

The standby timer can be set from 1 to 30 minutes.

If you wish to turn off the timer, press and hold the “+” key until “OFF” shows in the timer window.

(5) Auto-off (Time Setting)

The machine will be automatically turned off if you do not use it within the time period set by this timer.

The “Auto-off (Time Setting)” can be set from 1 to 12 hours.

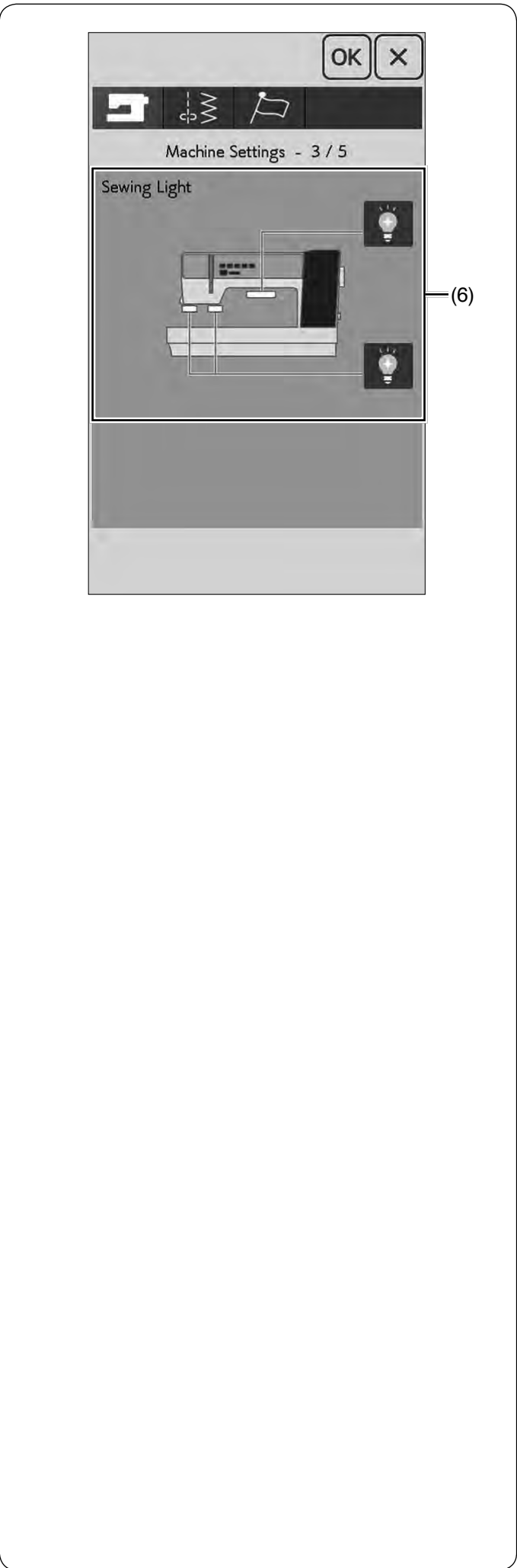
If you wish to turn off the timer, press and hold the “+” key until “OFF” shows in the timer window.

To turn on the machine again, turn the power switch on.

NOTE:

The auto-off timer is available in EU countries and some regions which use 200 - 240 voltage standards.

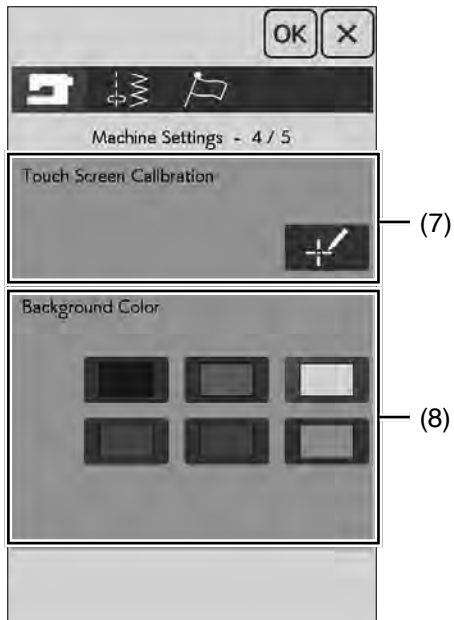
Press the next page key to show the next menu.



(6) Sewing Light

The sewing lights can be turned on or off individually. Press the corresponding light keys to turn the sewing lights on or off.

Press the next page key to show the next menu.



(7) Touch Screen Calibration

You can calibrate the key positions of the touch screen if you feel the touch screen key is not responding properly.

Press the  key to open the calibration window.

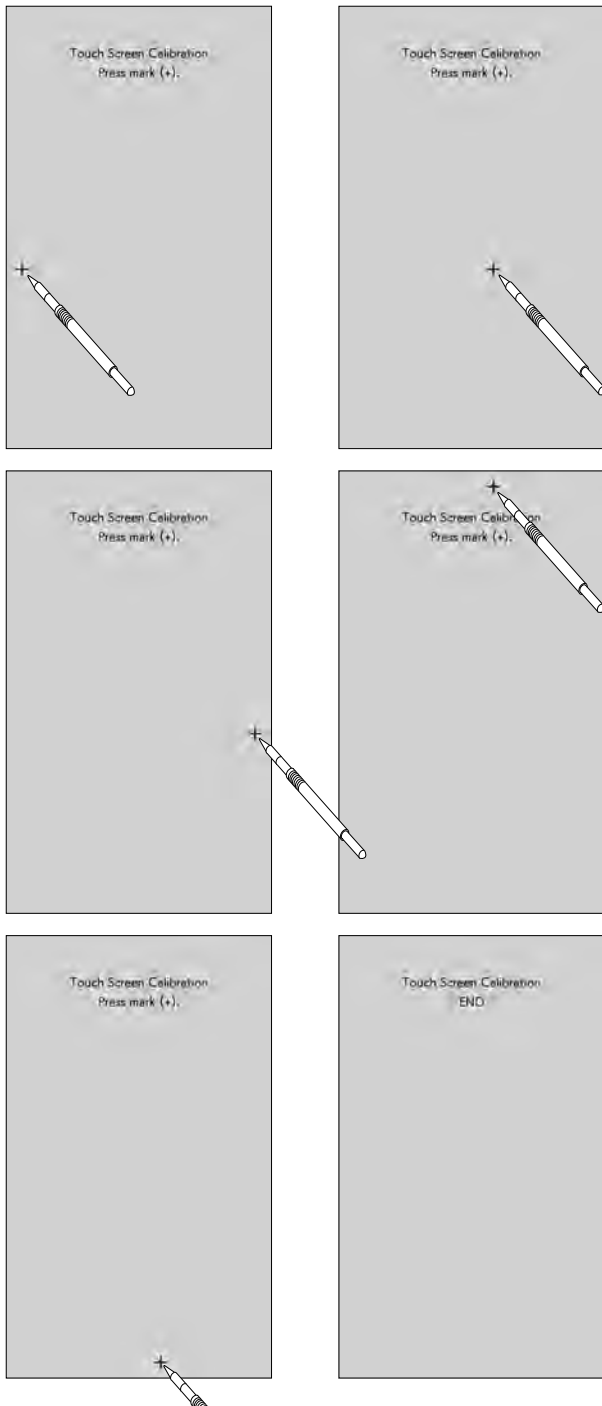
Press the “+” sign with the touch panel stylus as the sign appears.

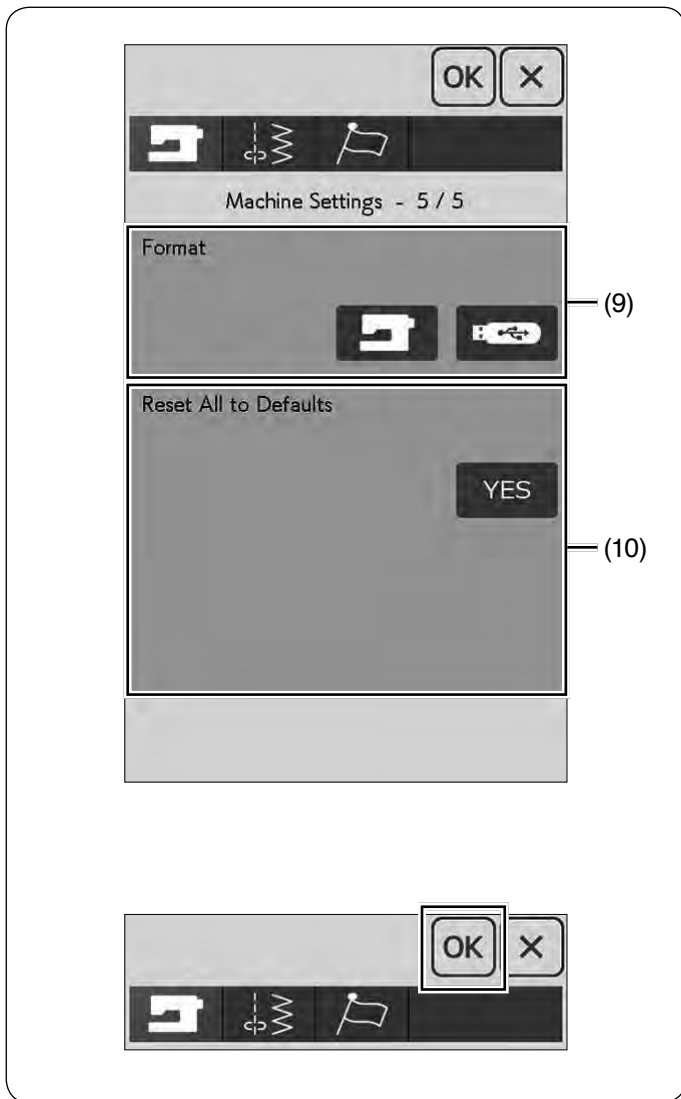
When you press the last sign, the screen shows “END” and the calibration window will close.

(8) Background Color

You can select from the colorful wallpapers for the background of the visual touch screen by pressing the relevant key.

Press the next page key to show the next menu.





(9) Format

If the internal memory of the machine or USB flash drive does not function due to damage to the memory bank, you need to re-enable it by formatting the memory.

To format the machine's internal memory, press the machine key and a confirmation message will appear. Press the OK key to format.

To format a USB flash drive, press the USB key and the confirmation window will open. Press the OK key to format.

⚠ CAUTION:

Do not turn off the power or disconnect the USB flash drive while a warning message is displayed otherwise it may damage the memory bank.

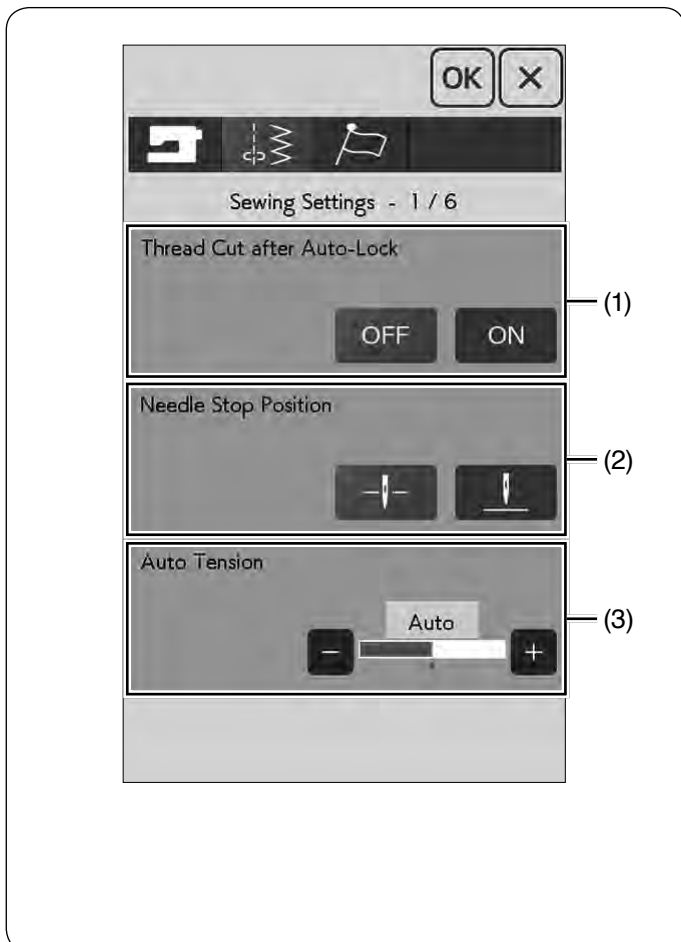
NOTE:

- This model supports FAT16 and FAT32 formats only. If the USB flash drive is not read, check the format of it (refer to pages 152-153).
- Do not use a USB card reader and USB hub.

(10) Reset All to Defaults

Press the YES key to reset all the parameters to the original values (factory settings).

After customizing the settings, press the OK key to enable the new settings.



Sewing Setting Mode

(1) Thread Cut after Auto-Lock

The machine automatically trims the threads after sewing locking stitches when this option is turned on.

(2) Needle Stop Position

The machine always stops with the needle in the down position except when sewing buttonholes, specialty stitches, monograms, etc. However you can change the needle stop position to up by pressing the needle up key.

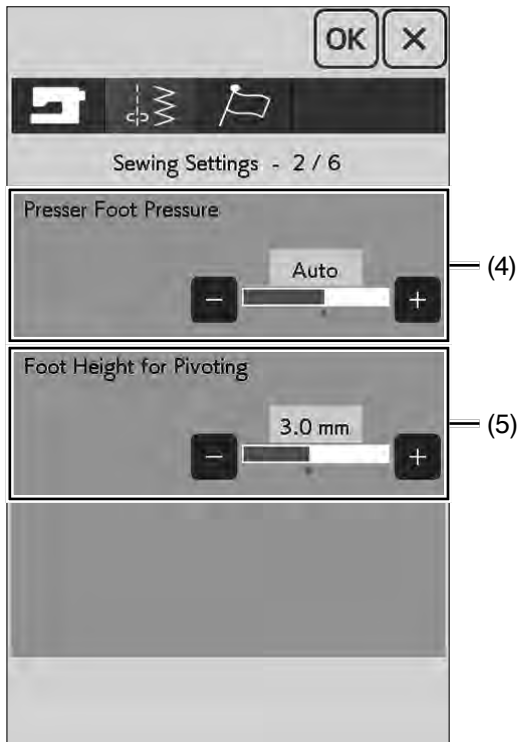
NOTE:

The machine stops with the needle in the down position if Foot-up key option is turned on, even if the needle stop position is set to up position.

(3) Auto Tension

You can adjust the auto thread tension level by pressing the "+" or "-" key.

Press the next page key to show the next menu.



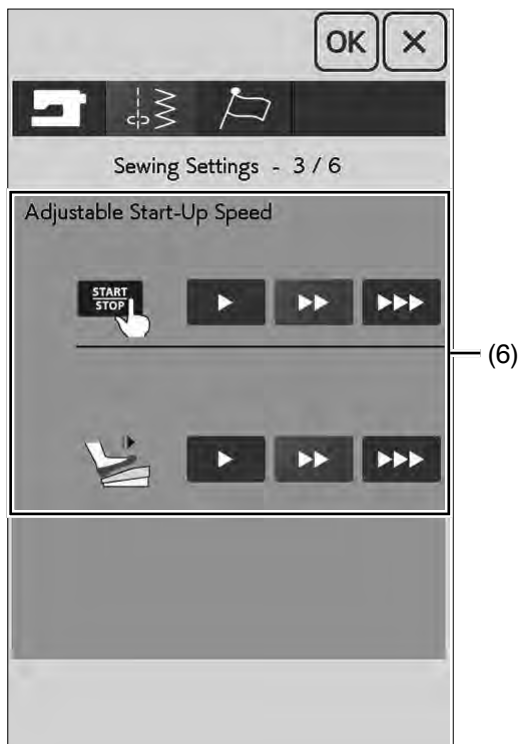
(4) Presser Foot Pressure

The foot pressure is automatically optimized but you can adjust the foot pressure manually by pressing the “+” key or “-” key.

(5) Foot Height for Pivoting

When the foot up option is turned on, the presser foot will automatically go up when the machine stops. The height of the foot in the up position can be adjusted by pressing the “+” key or “-” key in accordance with thickness of the fabrics.

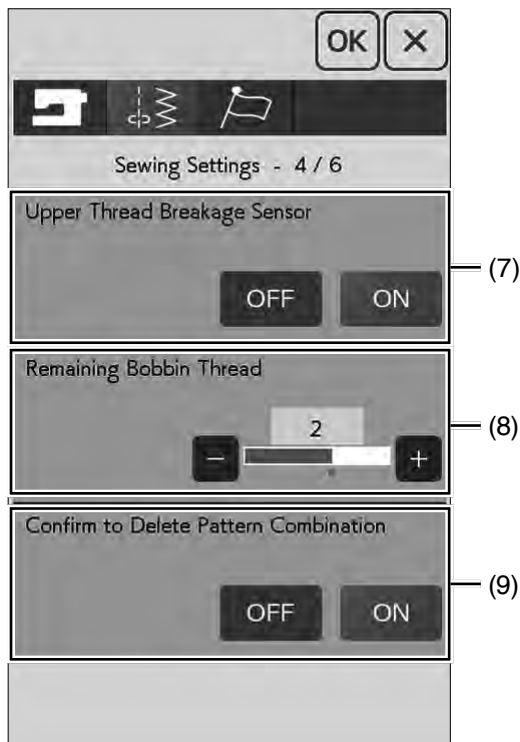
Press the next page key to show the next menu.



(6) Adjustable Start-Up Speed

The machine will start running slowly and the sewing speed will gradually increase to maximum. You can select the desired start-up speed from slow, medium or high by pressing the corresponding key, and set the speed for the start/stop button or foot control individually.

Press the next page key to show the next menu.



(7) Upper Thread Breakage Sensor

If you want to turn off the auto-stop function when the upper thread (needle thread) breaks, turn off the upper thread breakage sensor.

(8) Remaining Bobbin Thread

Set the time for notification when the remaining bobbin thread is low.

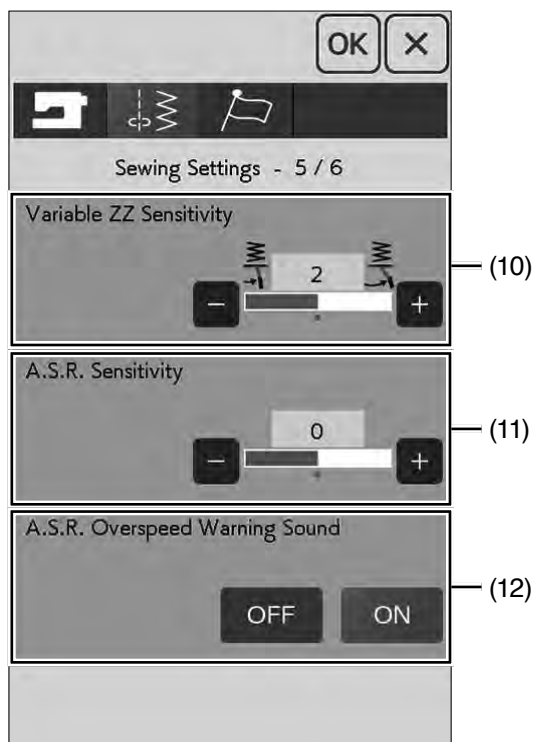
The higher the number, the earlier, and the lower the number, the later (when there is a large amount of remaining bobbin thread).

To turn off the low bobbin thread warning, press the “-” key until “OFF” shows in the window.

(9) Confirm to Delete Pattern Combination

When the combination mode is cancelled, a message will appear before deleting patterns. When “OFF” is selected, the confirmation message will not be displayed.

Press the next page key to show the next menu.



(10) Variable ZZ Sensitivity

You can adjust the amount of needle swing with the knee lifter movement for variable zigzag in sewing applications.

Press the “+” key so the needle swings a small amount when moving the knee lifter.

Press the “-” key so the needle swings a large amount when moving the knee lifter.

(11) A.S.R. Sensitivity

You can adjust and save the A.S.R. sensitivity setting. Press the “+” key to increase A.S.R. sensor sensitivity. Example: Press the “+” key when the stitch length is not stable or the sewing speed changes too slowly.

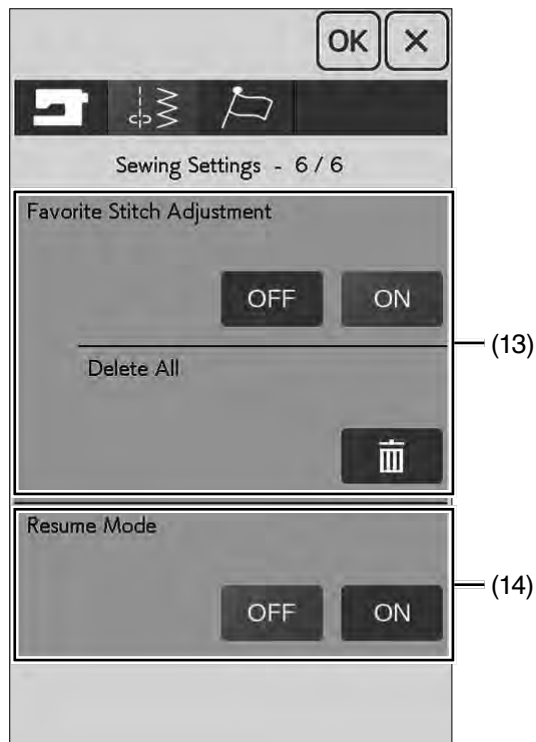
Press the “-” key to decrease A.S.R. sensor sensitivity. Example: Press “-” key when the sewing speed is too fast.

(12) A.S.R. Overspeed Warning Sound

The buzzer sounds when the fabric moves faster than the value set by A.S.R. Sensitivity.


Press the “OFF” key to delete the buzzer sound.

Press the next page key to show the next menu.



(13) Favorite Stitch Adjustment

If you wish to save the changes to manual stitch settings, turn on this option by pressing the ON key.

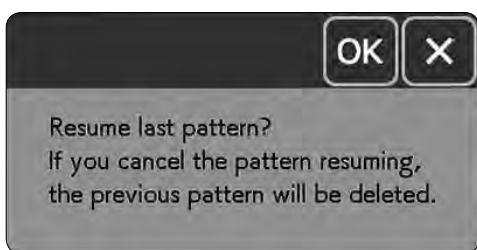
Press the  key to clear the manual stitch setting.

NOTE:

This option is available for all stitches except monogram and created stitches.

(14) Resume Mode

Turn on this option when you wish to resume the last pattern sewn before turning the power switch off.

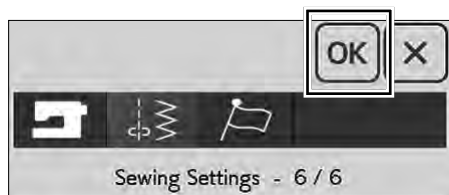


When the power is turned on again, the confirmation message will appear. Press the OK key to resume the last pattern.

NOTE:

Resume data will be cleared under the following conditions:

- Created stitch is imported with the import key.
- Created stitch is deleted with the delete key.
- The internal memory is formatted.

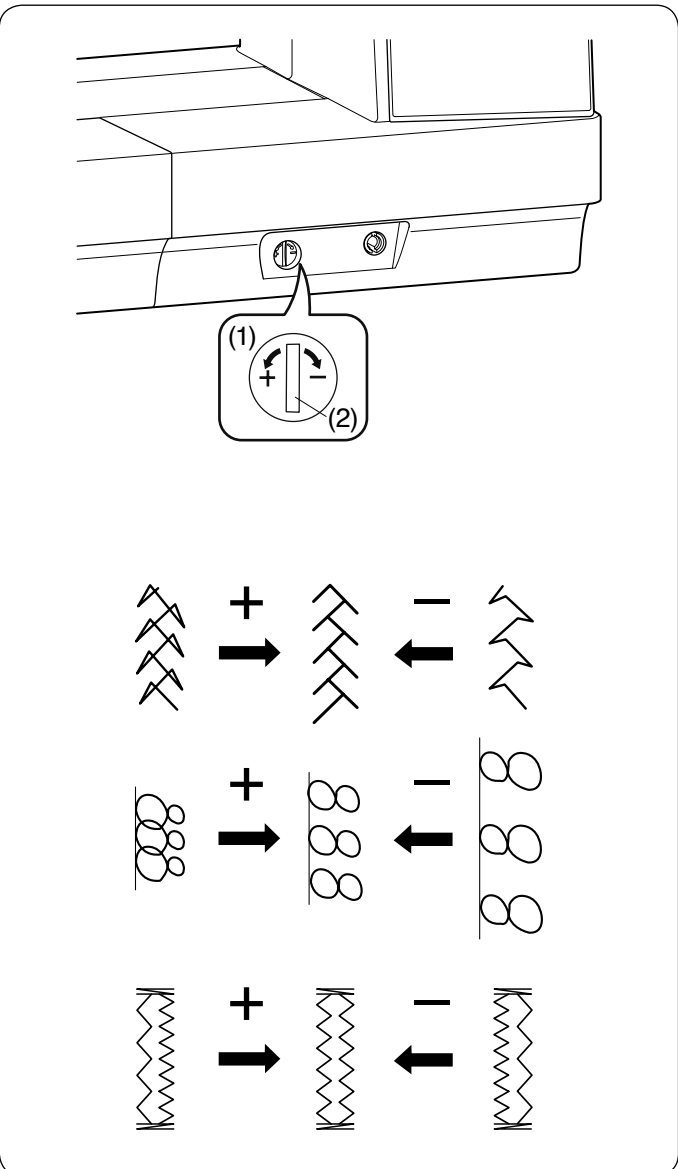


After customizing the settings, press the OK key to enable the new settings.



Language Setting Mode

Select the desired language and press the OK key. The visual touch screen shows messages in the selected language.



Correcting Distorted Stitch Patterns

Sewing results of the stitch patterns may vary depending upon sewing conditions, such as sewing speed, type of the fabric, number of layers, etc. Always test sew on an extra piece of the fabric that you wish to use.

If decorative stitch patterns, monogram or the stretch buttonhole are distorted, correct them with the feed balancing dial.

- (1) Feed balancing dial
- (2) Neutral position

NOTE:

Return the feed balancing dial to its neutral position when sewing is finished.

Stretch stitch pattern (Q24)

If the pattern is compressed, turn the feed balancing dial in the direction of “+”.

If the pattern is drawn out, turn the feed balancing dial in the direction of “-”.

Letters and numbers

If the pattern is compressed, turn the feed balancing dial in the direction of “+”.

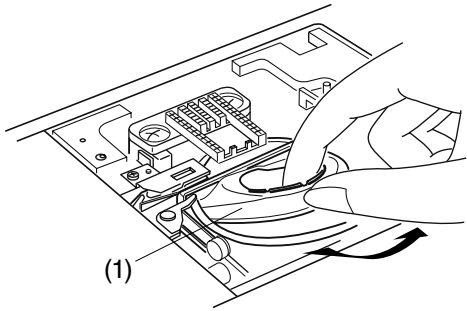
If the pattern is drawn out, turn the feed balancing dial in the direction of “-”.

Stitch balance of the stretch buttonholes (B8)

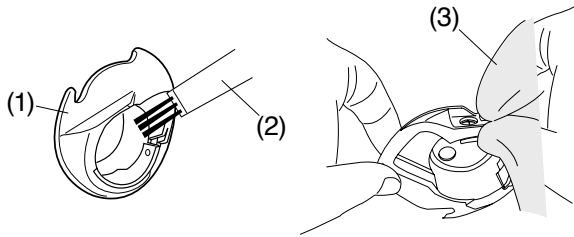
If the right row is denser, turn the dial in the direction of “+”.
If the left row is denser, turn the dial in the direction of “-”.

CARE AND MAINTENANCE

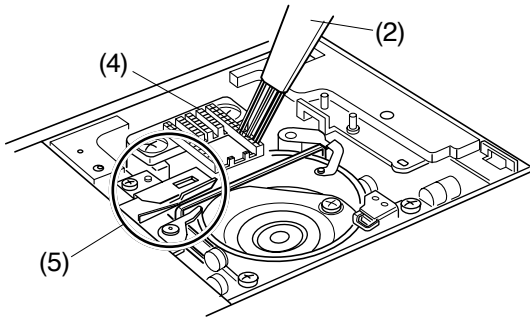
1.



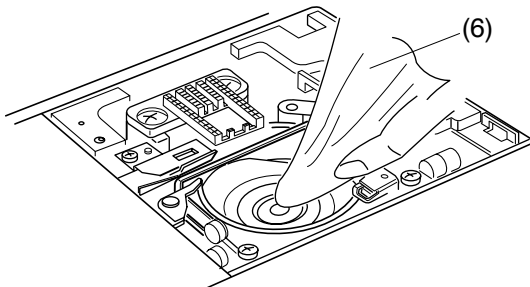
2.



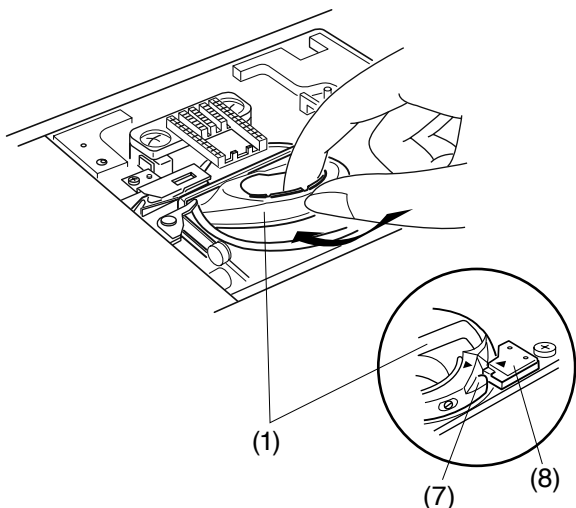
3.



4.



5.



⚠ WARNING:

- Turn the power switch off and unplug the machine before cleaning.
- Do not dismantle the machine in any way other than as explained in this section.

⚠ CAUTION:

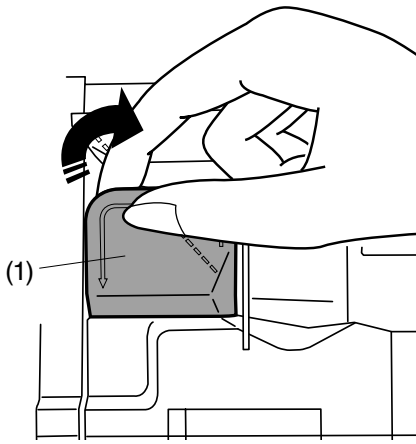
- Do not store the machine in a high-humidity area, near a heat radiator, or in direct sunlight. Store the machine in cool dry place.
- Clean the outside of the machine with a soft cloth.
- Do not use chemical solvents.

Cleaning the Hook Area

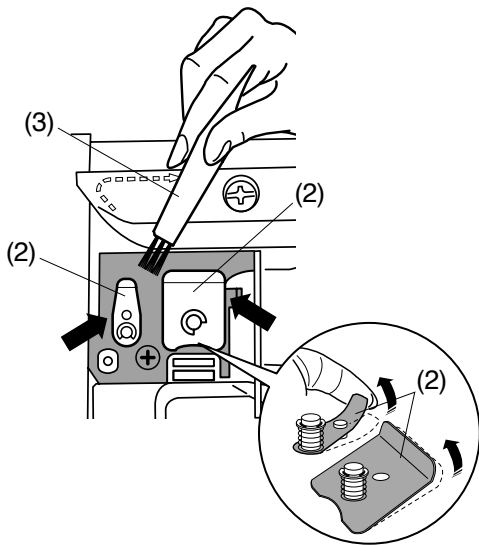
Clean the hook area at least once a month.

1. Remove the needle and foot holder (refer to pages 27 and 29).
Remove the needle plate (refer to page 32).
Turn the power switch off and unplug the machine.
Take out the bobbin and bobbin holder.
 - (1) Bobbin holder
2. Clean the bobbin holder with a lint brush.
Wipe the bobbin holder both inside and outside with a soft cloth.
 - (2) Lint brush
 - (3) Soft cloth
3. Clean the feed dogs and auto thread cutter device with the lint brush.
 - (4) Feed dogs
 - (5) Auto thread cutter device
4. Clean the hook race with a soft cloth.
 - (6) Soft cloth
5. Insert the bobbin holder so that the knob fits next to the stopper in the hook race.
Attach the needle plate, foot holder and needle.
Insert the bobbin.
 - (7) Knob
 - (8) Stopper

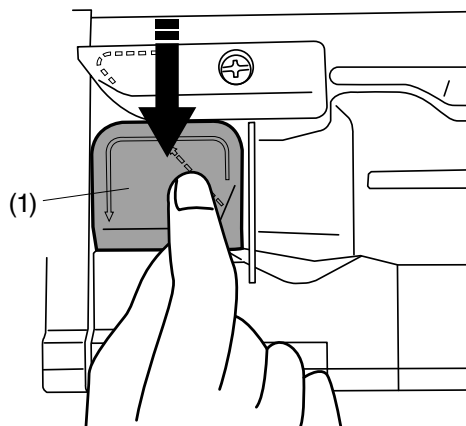
1.



2.



3.



Cleaning the Inside of the Thread Guide

Clean the inside of the thread guide plate under the top cover at least once a month.

1. Remove the needle thread and remove the thread guide plate by pulling it up.
 - (1) Thread guide plate

2. Clean the area around and under the pre-tension leaf with the lint brush.
 - (2) Pre-tension leaf
 - (3) Lint brush





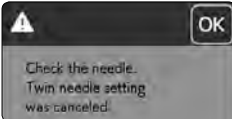
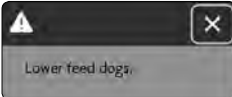
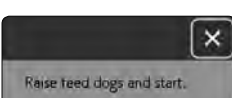

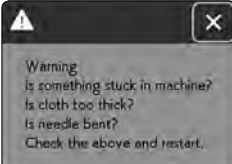
NOTE:

Hold the tip of the pre-tension leaf softly and brush out the dust.

3. Set the thread guide plate on the machine. Push the thread guide plate down to snap it in place.
 - (1) Thread guide plate

Problems and Warning Signals

If a buzzer sounds and the visual touch screen shows a warning sign, follow the guidance below.

Warning Sign	Cause	Try this
 <p>Remove foot control.</p>	The start/stop button is pressed with the foot control connected.	Disconnect the foot control.
 <p>Warning</p>	The foot control is broken.	Contact the service center or the store from whom the machine was purchased.
 <p>Bobbin winding</p>	The bobbin winder spindle is shifted to the right.	Shift the bobbin winder spindle to the left for stitching (refer to page 21).
 <p>Pull down BH lever.</p>	The machine will stop if the buttonhole is sewn without lowering the buttonhole lever.	Lower the buttonhole lever and start the machine again (refer to page 58).
 <p>Check the needle. Twin needle setting was canceled.</p>	The twin needle key is pressed when the twin needle sign is indicated on the visual touch screen.	Replace the twin needle with a single needle and press the OK key (refer to page 27).
 <p>Lower feed dogs.</p>	The stitch that requires lowering the feed dogs is selected.	Lower the feed dogs (refer to page 33).
 <p>Raise feed dogs and start.</p>	The machine is started with the feed dogs lowered.	Raise the feed dogs unless you want to sew with the feed dogs lowered (refer to page 33).
 <p>Warning The needle plate is not secured.</p>	The needle plate is removed.	Attach the needle plate (refer to page 32). Check if the needle plate is attached properly.
 <p>Warning Is something stuck in machine? Is cloth too thick? Is needle bent? Check the above and restart.</p>	The machine stops due to overload.	Wait for at least 15 seconds to restart. Remove tangled threads around take-up lever, hook race and auto thread cutter device.

Troubleshooting

Condition	Cause	Reference
The needle thread breaks.	<ol style="list-style-type: none"> 1. The needle thread is not threaded properly. 2. The needle thread tension is too tight. 3. The needle is bent or blunt. 4. The needle is incorrectly inserted. 5. The needle thread is not set under the presser foot when start sewing. 6. The fabric is moved too fast when stitching free motion quilting. 7. The thread is tangled around the spool. 	Pages 23-24 Page 51 Change the needle. Page 27 Page 41 Page 126 Use the spool holder.
The bobbin thread breaks.	<ol style="list-style-type: none"> 1. The bobbin thread is not threaded properly in the bobbin holder. 2. Lint has collected in the bobbin holder. 3. The bobbin is damaged and does not turn smoothly. 	Page 22 Page 147 Change the bobbin.
The needle breaks.	<ol style="list-style-type: none"> 1. The needle is incorrectly inserted. 2. The needle is bent. 3. The needle clamp screw is loose. 4. The needle is too fine for the fabric being used. 5. An inappropriate presser foot is used. 6. The fabric was pulled toward you when sewing free motion quilting with open-toe foot. 	Page 27 Change the needle. Page 27 Page 27 Use the correct foot. Page 126
Skipped stitches.	<ol style="list-style-type: none"> 1. The needle is incorrectly inserted, bent or blunt. 2. The needle and/or threads are not suitable for the work being sewn. 3. A blue tip needle is not being used for sewing stretch, very fine fabrics and synthetic fabrics. 4. The needle thread is not threaded properly. 5. A poor quality needle is used. 6. A purple tip needle is not being used for sewing thick fabrics, denims and across the hem. 	Page 27 Page 27 Page 27 Pages 23-24 Change the needle. Page 27
Seam puckering.	<ol style="list-style-type: none"> 1. The needle thread tension is too tight. 2. The needle thread is not threaded properly. 3. The needle is too heavy for the fabric being sewn. 4. The stitch length is too long for the fabric. 5. The foot pressure is not adjusted properly. 6. A stabilizer is not used when sewing very fine fabrics. 	Page 51 Pages 23-24 Page 27 Make stitch shorter. Page 52 Apply a stabilizer.
The fabric is not feeding smoothly.	<ol style="list-style-type: none"> 1. The feed dogs are packed with lint. 2. The stitches are too fine. 3. The feed dogs are not raised after "drop feed" sewing. 	Page 147 Make stitch longer. Page 33
Loops on the seams.	<ol style="list-style-type: none"> 1. The needle thread tension is too loose. 2. The needle is too thick or too fine for the fabric. 	Page 51 Page 27
The machine does not run.	<ol style="list-style-type: none"> 1. The machine is not plugged in. 2. Thread is caught in the hook race. 3. The start/stop button is used with the foot control plugged in. 	Pages 12-13 Page 147 Page 13
Buttonhole sewing is not sewn properly.	<ol style="list-style-type: none"> 1. The stitch density is not suitable for the fabric being sewn. 2. The interfacing has not been used for the stretch or synthetic fabric. 3. The buttonhole lever is not lowered. 	Page 60 Apply an interfacing. Page 58
The machine is noisy.	<ol style="list-style-type: none"> 1. Thread is caught in the hook race. 2. Lint is built up in the hook race or bobbin holder. 	Page 147 Page 147
Auto thread cutting failed.	<ol style="list-style-type: none"> 1. Thread is too thick for the auto thread cutting. 2. Threads are caught in the auto thread cutter device. 	Page 16 Page 147
Pattern selection keys can not be selected/grayed out.	<ol style="list-style-type: none"> 1. The needle plate for straight stitch is attached to the machine. 2. Dual feed key is on. 3. Floating mode key is on. 4. Twin needle key is on. 5. A.S.R. key is on. 	Page 32 Pages 43-44 Page 46 Pages 82-83 Page 127

Troubleshooting

Condition	Cause	Reference
Keys on the visual touch screen and touch panel keys do not work.	1. The key position is out of alignment.	Page 141
The sewing speed does not increase and buzzer sounds when using the A.S.R. foot holder.	1. The speed control slider is at the left side (low position).	Move the speed control slider to the rightmost (maximum sewing speed).
Visual touch screen is not clear.	1. The screen brightness is not adjusted properly.	Page 139
The needle thread appears on the wrong side of the fabric when the stitch width value is larger than "7.0".	1. Thread tension is not balanced.	Page 51
The USB flash drive is not read.	1. Format setting of the USB flash drive is not correct. 2. The USB flash drive is malfunctioning.	Pages 152-153 Replace the USB flash drive.

It is not abnormal for a faint humming sound to be heard from the internal motors.
Visual touch screen may become warm after several hours of continuous use.

Formatting USB Flash Drives

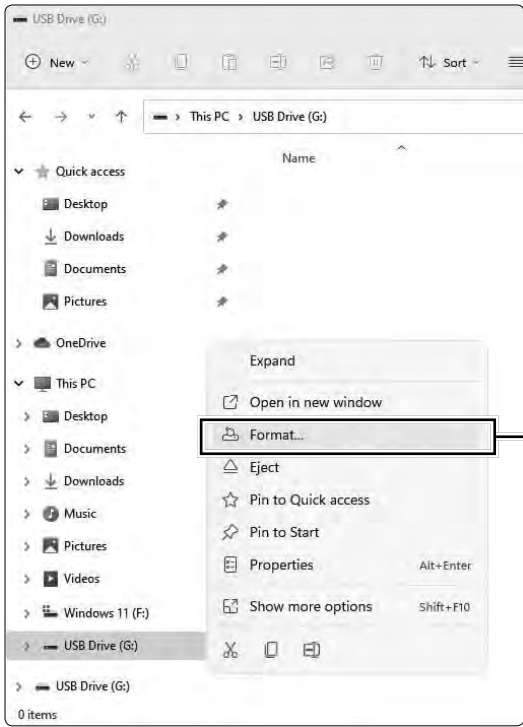
NOTE:

Formatting of USB flash drive must be carried out on a personal computer using Microsoft Windows.*

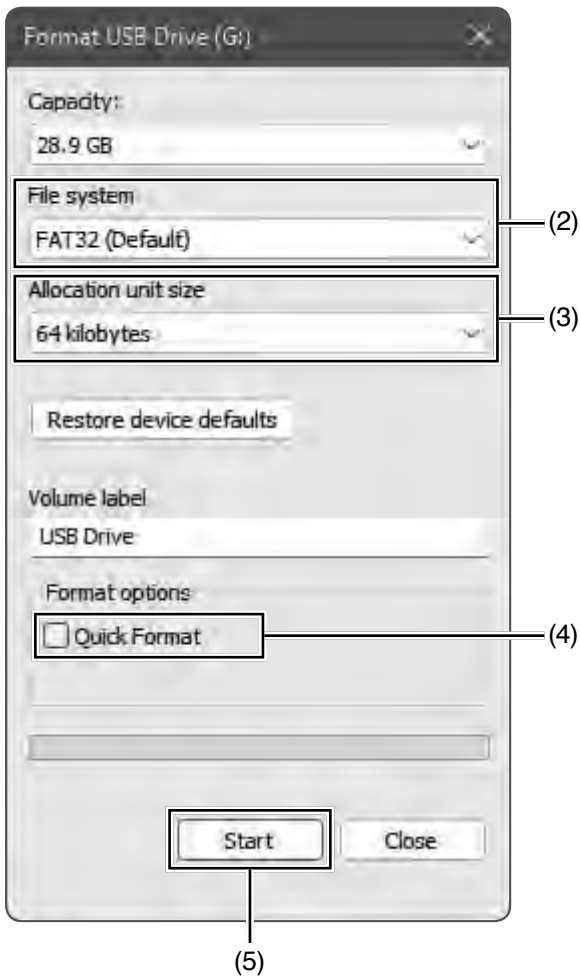
For Windows 11 and 10 users, screen shot samples using Windows 11 are shown.

1. Using File Explorer, right click on the USB flash drive. Click format.

(1) Format



2. 3. 4.



2. Format window will be displayed. Select FAT16 or FAT32 from file system.

(2) File system

NOTE:

If FAT16 or FAT32 cannot be selected, use other PC. Or use other USB flash drive which can be read.

3. From allocation unit size, select a size of 64 kilobytes or less.

(3) Allocation unit size

NOTE:

Do not check the quick Format.

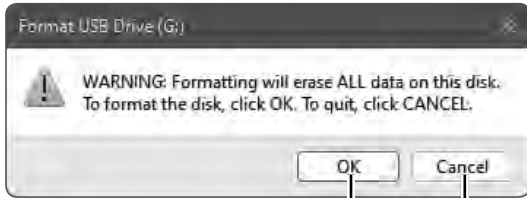
(4) Quick Format

4. Click the start key.

(5) Start key

* Windows is a registered trademark of Microsoft Corporation.

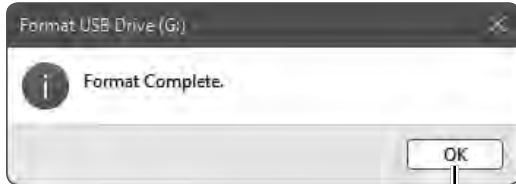
5.



(7)

(6)

6.



(8)

5. After the start key is clicked, the confirmation message will be displayed.

NOTE:

If there is any important data remaining on the USB flash drive, click the cancel key.

After saving the data elsewhere, begin the process again from 1.

(6) Cancel key

Click the OK key to begin formatting.

(7) OK key

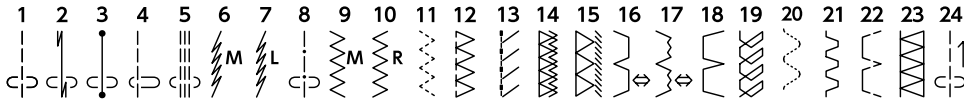
6. A message will be displayed when the formatting is complete.

Click the OK key.

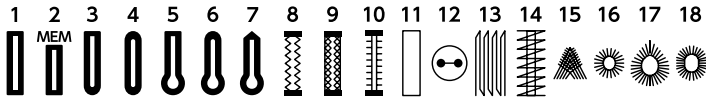
(8) OK key

Stitch Chart

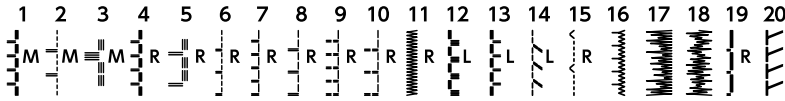
Utility (U)



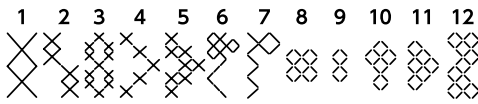
Buttonhole (B)



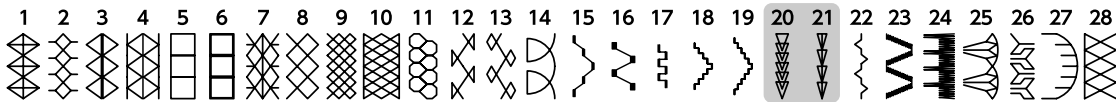
Applique (A)



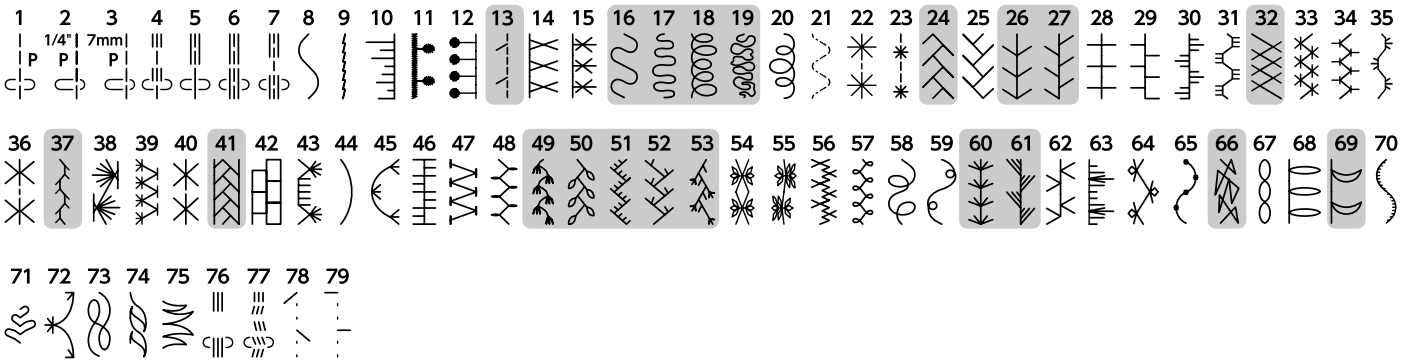
Cross-stitch (C)



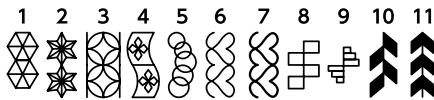
Heirloom (H)



Quilt (Q)



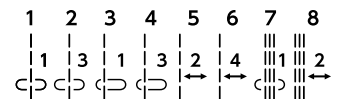
Quilt Style (QS)



Satin (S)



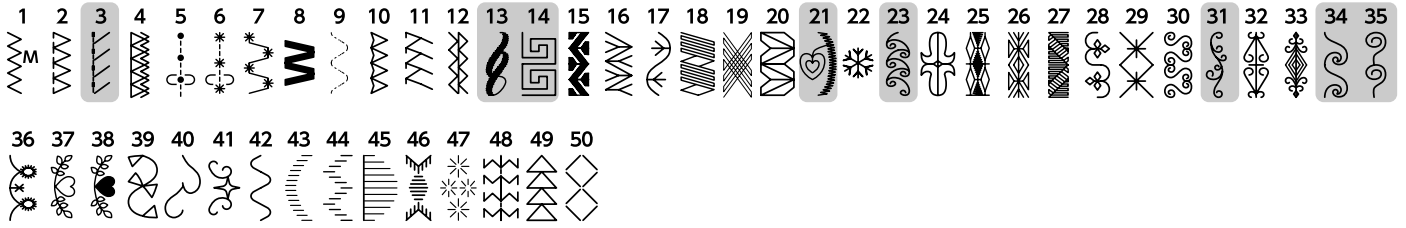
Bridge (BR)



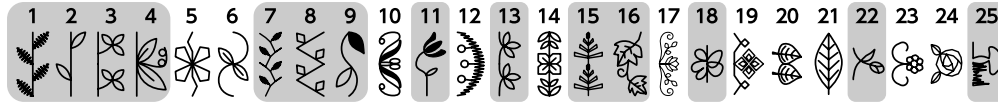
* Stitch patterns marked with gray can be flipped vertically. (Horizontal mirror image)

Stitch Chart

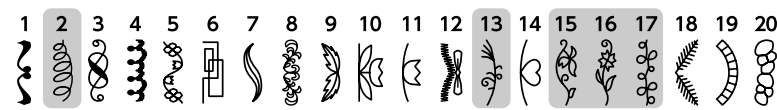
Decorative (D)



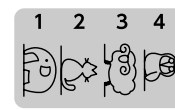
Botanical (BO)



Long (L)



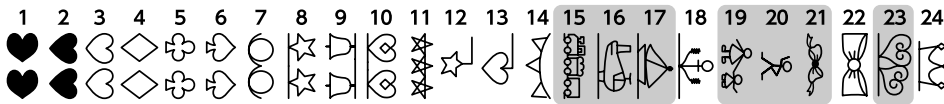
Animals (AN)



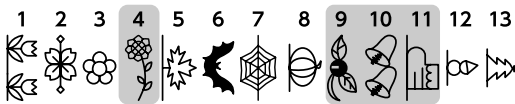
Life Style (LS)



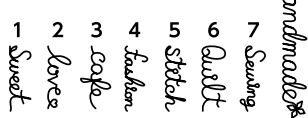
Kids (K)



Seasons (SE)



Words (W)

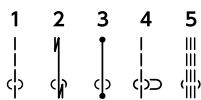


Mirage (M)



Stitches for the straight stitch needle plate

Utility (U)

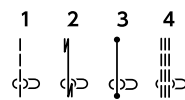


Quilt (Q)



Stitches for the professional grade needle plate

Utility (U)



Quilt (Q)



* Stitch patterns marked with gray can be flipped vertically. (Horizontal mirror image)

Stitch Chart (Monogram)

Block

A B C D E F G H I J K L M N
 O P Q R S T U V W X Y Z . □ □ □
 a b c d e f g h i j k l m n
 o p q r s t u v w x y z . □ □ □
 1 2 3 4 5 6 7 8 9 0 & _ \$ @ . • , :
 ? ¿ ! ; ‘ ’ < > () - + = / // % ~ :
 À Á Â Ã Ä Å Æ Ç È É Ê Ë Ì Í Î Ï Ñ
 Ò Ó Ô Õ Ö Ø Ù Ú Û Ü ß à á â ã ä å æ ç è é ê ë ì í î ï ñ
 Ł ł Ń ń Œ œ Š š Š Ÿ Ž ž Ž
 à á â ã ä å æ ç è é ê ë ì í î ï ñ
 ò ó ô õ ö ø ù ú û ü ß à á â ã ä å æ ç è é ê ë ì í î ï ñ
 ł ł Ń ń Œ œ Š š Š Ÿ Ž ž Ž

Script

A B C D E F G H I J K L M N
 O P Q R S T U V W X Y Z . □ □ □
 a b c d e f g h i j k l m n
 o p q r s t u v w x y z . □ □ □
 1 2 3 4 5 6 7 8 9 0 & _ \$ @ . • , :
 ? ¿ ! ; ‘ ’ < > () - + = / // % ~ :
 À Á Â Ã Ä Å Æ Ç È É Ê Ë Ì Í Î Ï Ñ
 Ò Ó Ô Õ Ö Ø Ù Ú Û Ü ß à á â ã ä å æ ç è é ê ë ì í î ï ñ
 Ł ł Ń ń Œ œ Š š Š Ÿ Ž ž Ž
 à á â ã ä å æ ç è é ê ë ì í î ï ñ
 ò ó ô õ ö ø ù ú û ü ß à á â ã ä å æ ç è é ê ë ì í î ï ñ
 ł ł Ń ń Œ œ Š š Š Ÿ Ž ž Ž

Stitch Chart (Monogram)

Broadway

A B C D E F G H I J K L M N
O P Q R S T U V W X Y Z . □ □ □
a b c d e f g h i j k l m n
o p q r s t u v w x y z . □ □ □
1 2 3 4 5 6 7 8 9 0 & _ \$ @ . ' ,
? ; ! ; ' ' < > () - + = / // % ~ :
À Á Â Ã Ä Å Æ Ç È É Ê Ë Ì Í Î Ï Ñ
Ò Ó Ô Õ Ö Ø Ù Ú Û Ü Þ À Á Ć Ć Ę Ğ Ĩ Ĭ
Ł Ń Ņ Œ Š Ś Ŝ Ÿ Ž ž Ž
à á â ã ä å æ ç è é ê ë ì í î ï ñ
ò ó ô õ ö ø ù ú û ü Þ à á Ć Ć Ę Ğ Ĩ Ĭ
ł ń ń œ ś ś ŝ ŷ ź ź ź

Block (9 mm)

A B C D E F G H I J K L M N
O P Q R S T U V W X Y Z . □ □ □
1 2 3 4 5 6 7 8 9 0 & _ \$ @ . ' ,
? ; ! ; ' ' < > () - + = / // % ~ :

Cyrillic

А Б В Г Г Д Ѓ Ђ Е Ё Ё Ж З С
И І Ї Й Й Ј К Л Љ М Н Њ . □ □ □
О Ө П Р С Т Ћ У Ў Ф Х Ц Ч Ц
Ш Щ Ъ Ы Ь Э Ю Я . □ □ □
а б в г г д ѓ ђ е е ё ж з с
и і ї й й ј к л љ м н њ . □ □ □
о ө п р с т ћ у ў ф х ц ч ц
ш щ ѡ ѣ ѥ э ю я . □ □ □
1 2 3 4 5 6 7 8 9 0 & _ \$ @ . ' ,
? ; ! ; ' ' < > () - + = / // % ~ :

Stitch Chart (Monogram)

Mincho (9 mm)

あ	い	う	え	お	か	き	く	け	こ	さ	し	す	せ	そ
た	ち	つ	て	と	な	に	ぬ	ね	の	は	ひ	ふ	へ	ほ
ま	み	む	め	も	や	ゆ	よ	□	□	ら	り	る	れ	ろ
わ	を	ん	、	。	あ	い	う	え	お	っ	や	ゆ	よ	ー
が	ぎ	ぐ	げ	ご	ざ	じ	ず	ぜ	ぞ	だ	ぢ	づ	で	ど
ば	び	ぶ	べ	ぼ	ぱ	ぴ	ぷ	ぺ	ぽ	う				
ア	イ	ウ	エ	オ	カ	キ	ク	ケ	コ	サ	シ	ス	セ	ソ
タ	チ	ツ	テ	ト	ナ	ニ	ヌ	ネ	ノ	ハ	ヒ	フ	ヘ	ホ
マ	ミ	ム	メ	モ	ヤ	ユ	ヨ	□	□	ラ	リ	ル	レ	ロ
ワ	ヲ	ン	、	。	ア	イ	ウ	エ	オ	ッ	ヤ	ユ	ヨ	ー
ガ	ギ	グ	ゲ	ゴ	ザ	ジ	ズ	ゼ	ゾ	ダ	ヂ	ヅ	デ	ド
バ	ビ	ブ	ベ	ボ	パ	ピ	プ	ペ	ポ	ヴ				

Marumoji (9 mm)

あ	い	う	え	お	か	き	く	け	こ	さ	し	す	せ	そ
た	ち	つ	て	と	な	に	ぬ	ね	の	は	ひ	ふ	へ	ほ
ま	み	む	め	も	や	ゆ	よ	□	□	ら	り	る	れ	ろ
わ	を	ん	、	。	あ	い	う	え	お	っ	や	ゆ	よ	ー
が	ぎ	ぐ	げ	ご	ざ	じ	ず	ぜ	ぞ	だ	ぢ	づ	で	ど
ば	び	ぶ	べ	ぼ	ぱ	ぴ	ぷ	ぺ	ぽ	う				
ア	イ	ウ	エ	オ	カ	キ	ク	ケ	コ	サ	シ	ス	セ	ソ
タ	チ	ツ	テ	ト	ナ	ニ	ヌ	ネ	ノ	ハ	ヒ	フ	ヘ	ホ
マ	ミ	ム	メ	モ	ヤ	ユ	ヨ	□	□	ラ	リ	ル	レ	ロ
ワ	ヲ	ン	、	。	ア	イ	ウ	エ	オ	ッ	ヤ	ユ	ヨ	ー
ガ	ギ	グ	ゲ	ゴ	ザ	ジ	ズ	ゼ	ゾ	ダ	ヂ	ヅ	デ	ド
バ	ビ	ブ	ベ	ボ	パ	ピ	プ	ペ	ポ	ヴ				

Symbol

+	✳	♥	◇	♣	♠	+	☆	☆	🔔	🔔	○	☀	✳	☀
#	b	♪	♫	♬	♭	*	🌻	🌻	🌻	●				

EC DECLARATION OF CONFORMITY

This machine complies with the following regulations:

EN 60335-1: 2012; A11; A13; A1; A14; A2; A15

EN 60335-2-28: 2003; A1; A11

EN 61000-3-3: 2013; A1; A2

EN 62233: 2008

EN IEC 55014-1: 2021

EN IEC 55014-2: 2021

EN IEC 61000-3-2: 2019; A1

Supplier: Elna International Corp. SA
Address: Rue de Veyrot 14 - 1217 Meyrin - Switzerland

